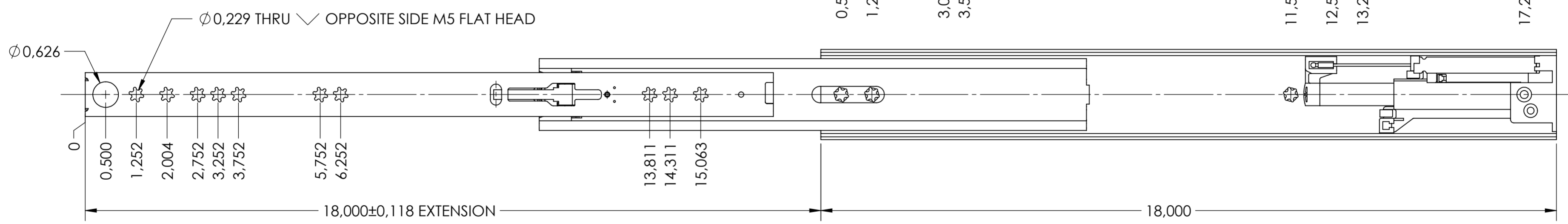
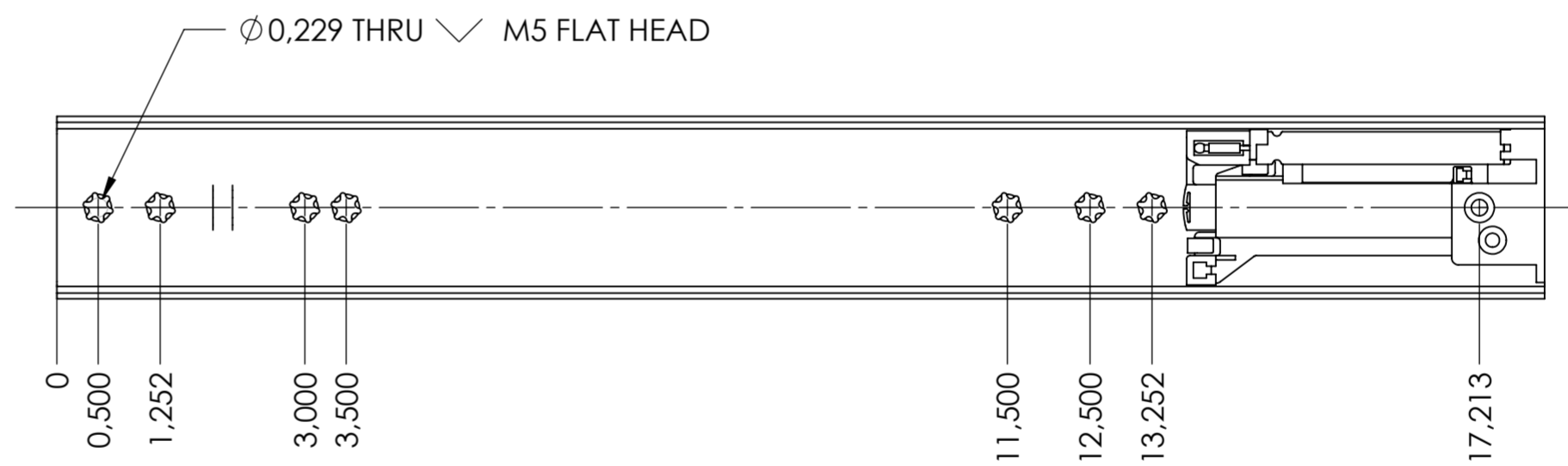


**CABINET MOUNTING HOLES**



**RECOMMENDED HARDWARE:**

CABINET- M5 FLAT HEAD SCREW #10 FLAT HEAD SCREW

DRAWER- M5 FLAT HEAD SCREW OR #10 FLAT HEAD SCREW

general tolerances		DIN ISO 128-30	
ISO 2768-m		missing dimensions see 3D = theor. intersection	
This drawing remains our property and may not be multiplied neither be disclosed to third parties (§§1,3 and 5 from the copyright Act (UrhG)) covered according to DIN ISO 16016			
(k)	scale:	1:2	surface:
(l)	date:	17-02-2021	name:
(m)	drawn:	MW	description:
(n)	proven:	00-00-0000	00
(o)	<b>Fulterer</b>		FULL EXTENSION SIDE MOUNT SOFT CLOSE DRAWER SLIDE WITH DRAWER DISCONNECT
(p)			
(q)	Fulterer AG & Co KG A-6890 Lustenau / Austria		STEEL
(r)	Fulterer AG CH-9430 St. Margrethen		(technical requirements Fulterer)
(s)	drawing number:		A2
(t)	5609.18-GA.T057		
(u)	replaces version date:		
(v)	UPDATE TITLE BLOCK	19-03-2019	HB
(w)	ind. changes	date	na.