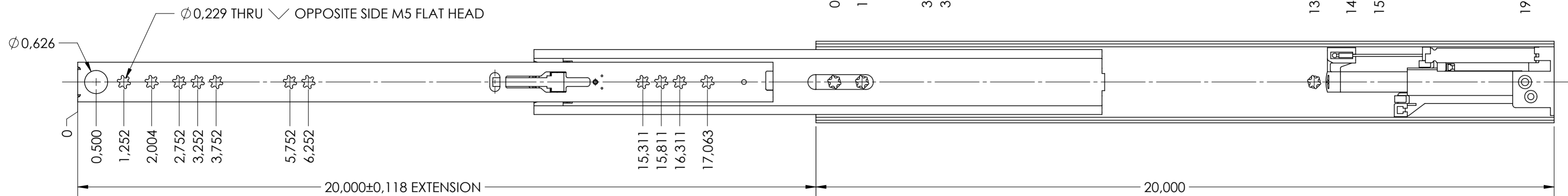
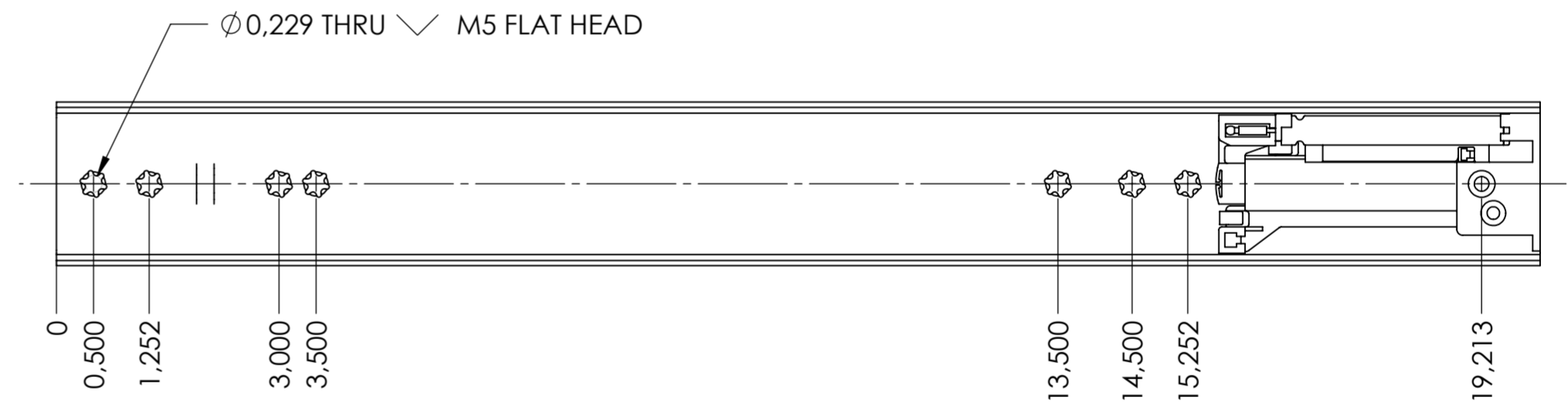


### CABINET MOUNTING HOLES



### RECOMMENDED HARDWARE:

CABINET- M5 FLAT HEAD SCREW #10 FLAT HEAD SCREW

DRAWER- M5 FLAT HEAD SCREW OR #10 FLAT HEAD SCREW

general tolerances		DIN ISO 128-30 missing dimensions see 3D = theor. intersection	
ISO 2768-m			
This drawing remains our property and may not be multiplied neither be disclosed to third parties (§§1,3 and 5 from the copyright Act (UrhG)) covered according to DIN ISO 16016			
(k)	scale:	1:2	surface:
(l)	date	17-02-2021	name
(m)	drawn	MW	
(n)	proven	00-00-0000	00
(o)	<b>Fulterer</b>		material, semi finished parts:
(p)			STEEL (technical requirements Fulterer)
(q)	Fulterer AG & Co KG A-6890 Lustenau / Austria		description:
(r)	Fulterer AG CH-9430 St. Margrethen		FULL EXTENSION SIDE MOUNT SOFT CLOSE DRAWER SLIDE WITH DRAWER DISCONNECT
(s)	drawing number:		5609.20-GA.T057
(t)	replaces version date:		
(u)	UPDATE TITLE BLOCK	19-03-2019	HB
(v)	changes	date	na.