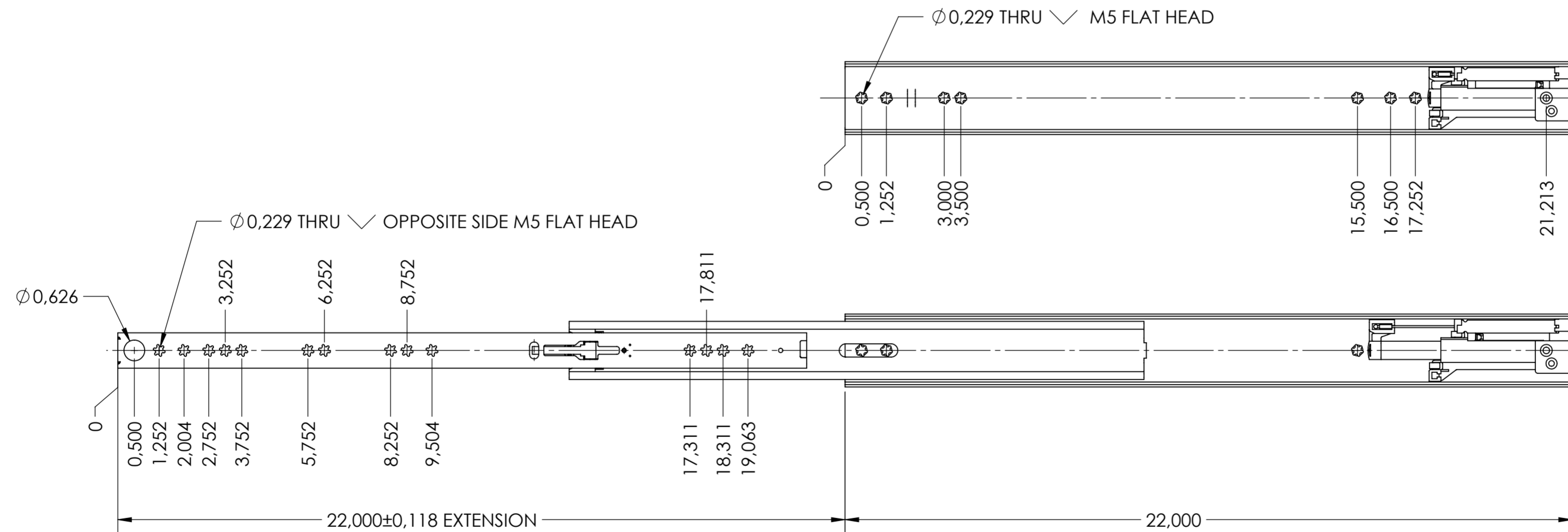


### CABINET MOUNTING HOLES



### RECOMMENDED HARDWARE:

CABINET- M5 FLAT HEAD SCREW #10 FLAT HEAD SCREW

DRAWER- M5 FLAT HEAD SCREW OR #10 FLAT HEAD SCREW

general tolerances		DIN ISO 128-30 missing dimensions see 3D = theor. intersection	
ISO 2768-m			
This drawing remains our property and may not be multiplied neither be disclosed to third parties (§§1,3 and 5 from the copyright Act (UrhG)) covered according to DIN ISO 16016			
(k)		scale:	1:3
(l)		surface:	STEEL
(m)		date:	17-02-2021
(n)		name:	MW
(o)		drawn:	17-02-2021
(p)		proven:	00-00-0000
(q)			00
(r)		<b>Fulterer</b>	
(s)			
(t)		Fulterer AG & Co KG A-6890 Lustenau / Austria	
(u)		Fulterer AG CH-9430 St. Margrethen	
(v)	UPDATE TITLE BLOCK	19-03-2019	HB
(w)	changes	date	na.
(x)			
(y)			
(z)			
ind.			

material, semi finished parts:	STEEL	A2
(technical requirements Fulterer)		
description:	FULL EXTENSION SIDE MOUNT SOFT CLOSE DRAWER SLIDE WITH DRAWER DISCONNECT	
drawing number:	5609.22-GA.T057	
replaces version date:		