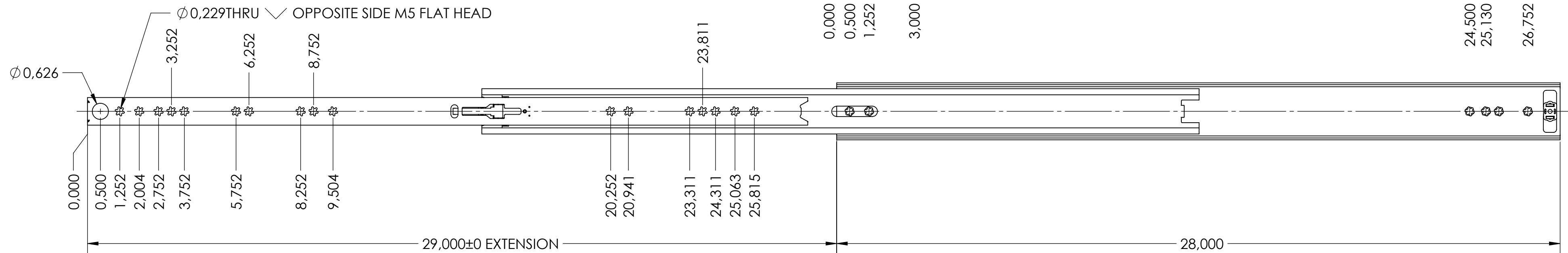
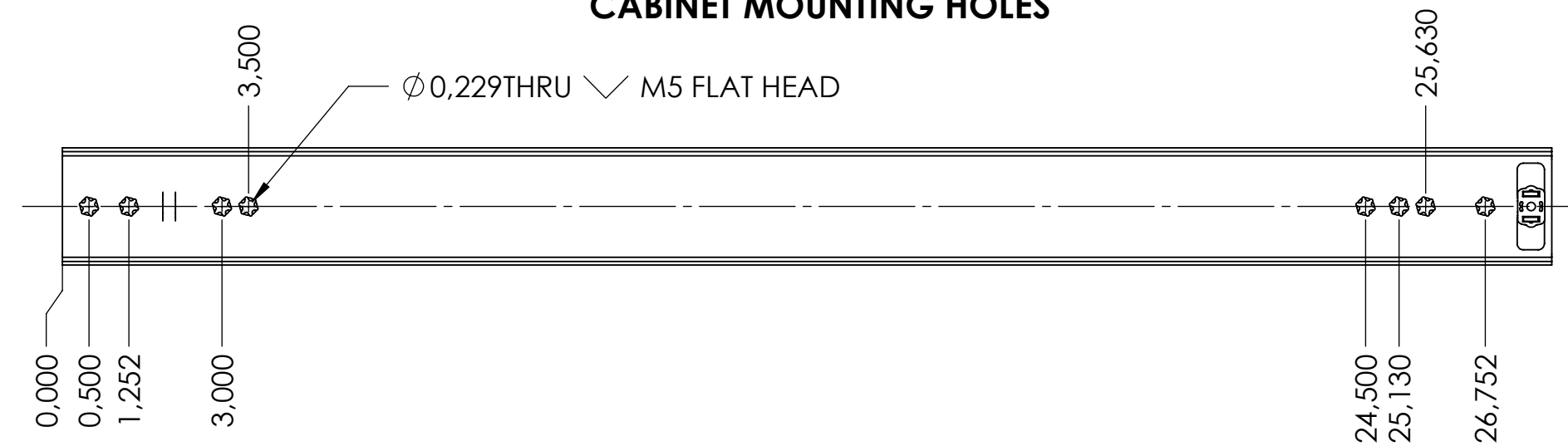


CABINET MOUNTING HOLES



RECOMMENDED HARDWARE:

CABINET- M5 FLAT HEAD SCREW #10 FLAT HEAD SCREW

DRAWER- M5 FLAT HEAD SCREW OR #10 FLAT HEAD SCREW

general tolerances		DIN ISO 128-30	
ISO 2768-m		missing dimensions see 3D = theor. intersection	
This drawing remains our property and may not be multiplied neither be disclosed to third parties (§§1,3 and 5 from the copyright Act (UrhG)) covered according to DIN ISO 16016			
(k)	scale:	1:3	surface: A2
(l)	date	12-05-2020	name: MW
(m)	drawn	12-05-2020	name: MW
(n)	proven	00-00-0000	00
(o)	Fulterer		material: STEEL (technical requirements Fulterer)
(p)			description: OVER EXTENSION SIDE MOUNT DRAWER SLIDE WITH DRAWER DISCONNECT
(q)	Fulterer AG & Co KG A-6890 Lustenau / Austria		drawing number: 5609.28-GA.T056
(r)	Fulterer AG CH-9430 St. Margrethen		replaces version date:
(s)	UPDATE TITLE BLOCK	19-03-2019	HB
(t)	changes	date	na.