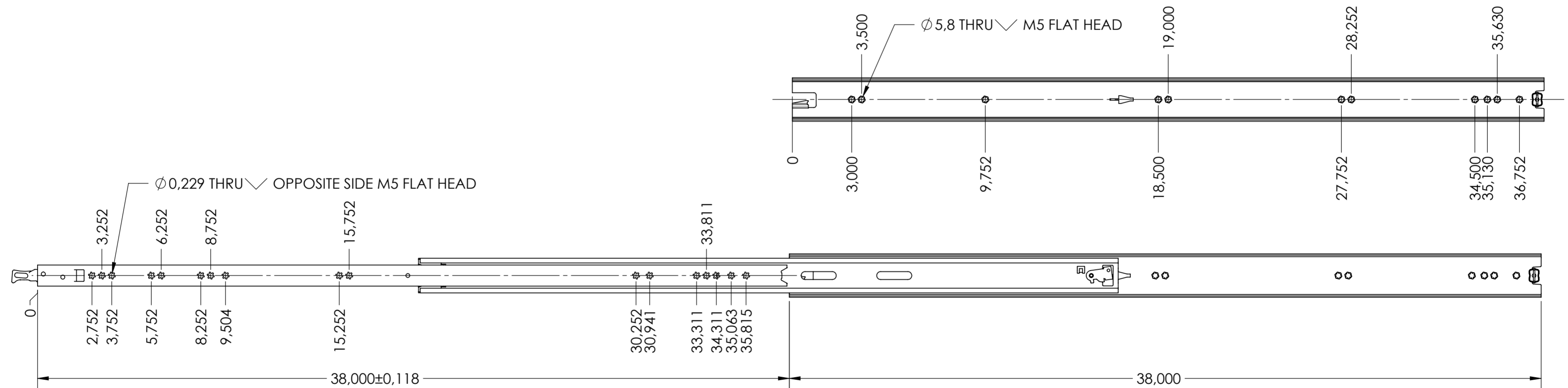


CABINET MOUNTING HOLES



RECOMMENDED HARDWARE:

CABINET- M5 FLAT HEAD SCREW #10 FLAT HEAD SCREW

DRAWER- M5 FLAT HEAD SCREW OR #10 FLAT HEAD SCREW

general tolerances		DIN ISO 128-30 missing dimensions see 3D = theor. intersection	
ISO 2768-m			
This drawing remains our property and may not be multiplied neither be disclosed to third parties (§§1,3 and 5 from the copyright Act (UrhG)) covered according to DIN ISO 16016			
(k)	scale:	1:4	surface: A2
	date	01-02-2022	
(l)	name	MW	material: STEEL (technical requirements Fulterer)
(m)	drawn	01-02-2022	
(n)	proven	00-00-0000	description: FULL EXTENSION SIDE MOUNT LOCK IN LOCK OUT DRAWER SLIDE WITH DRAWER DISCONNECT
(o)			
(p)			drawing number: 5609.38-GA.T058
(q)			
(r)			replaces version date:
(s)			
(t)			
(u)			
(v)			
(w)			
(x)			
(y)			
(z)			
ind.	changes	date	na.