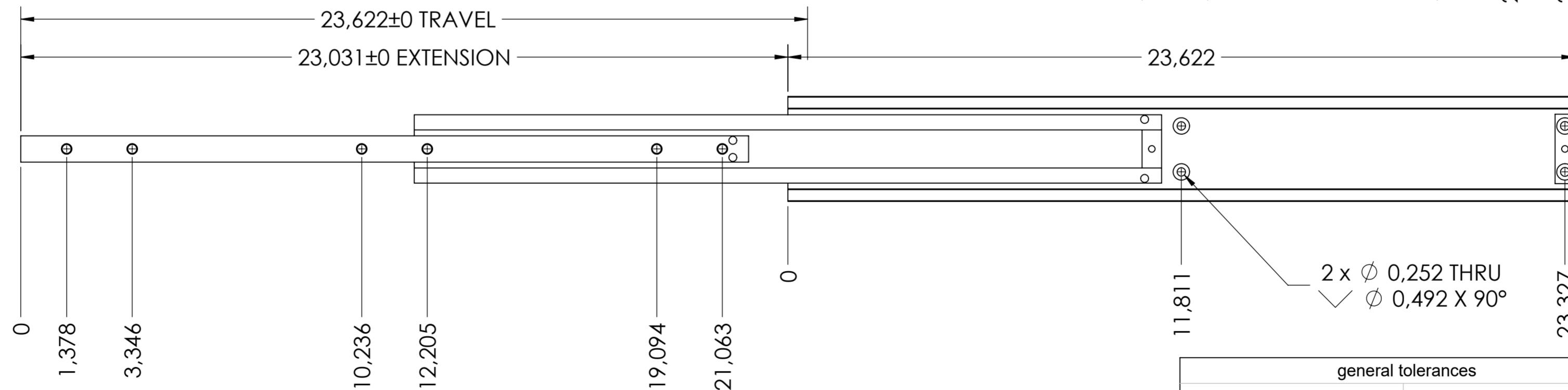
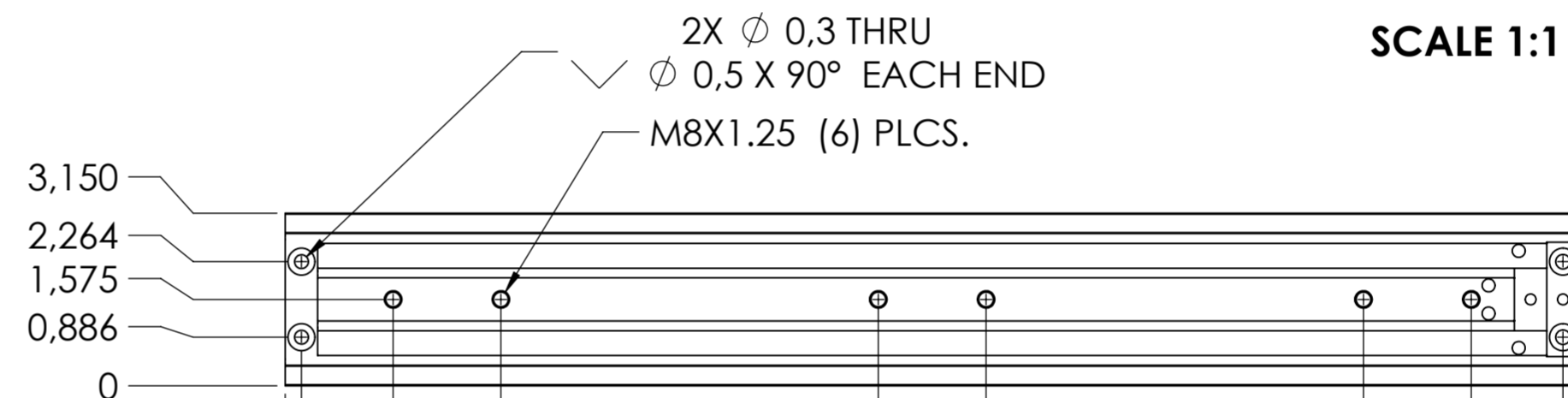


SCALE 1:1



RECOMMENDED HARDWARE:
CABINET- M6 FLAT HEAD SCREWS
(2) REAR SCREWS 12mm LONGER THAN FRONT/MIDDLE LOCATIONS
DRAWER- M8 x 1.25 SCREWS

general tolerances		DIN ISO 128-30 missing dimensions see 3D = theor. intersection	
ISO 2768-m			
This drawing remains our property and may not be multiplied neither be disclosed to third parties (§§1,3 and 5 from the copyright Act (UrhG)) covered according to DIN ISO 16016			
scale: 1:3	date	surface: material, semi finished parts: A2	
	name	ALUMINUM (technical requirements Fulterer)	
drawn	20-07-2018	description: FULL EXTENSION SIDE MOUNT SUPER HEAVY DUTY ALUMINUM SLIDE	
proven	00-00-0000	drawing number: 5826.600-GA.T094	
		replaces version date:	
		Fulterer AG & Co KG A-6890 Lustenau / Austria Fulterer AG CH-9430 St. Margrethen	
ind.	changes	date	na.