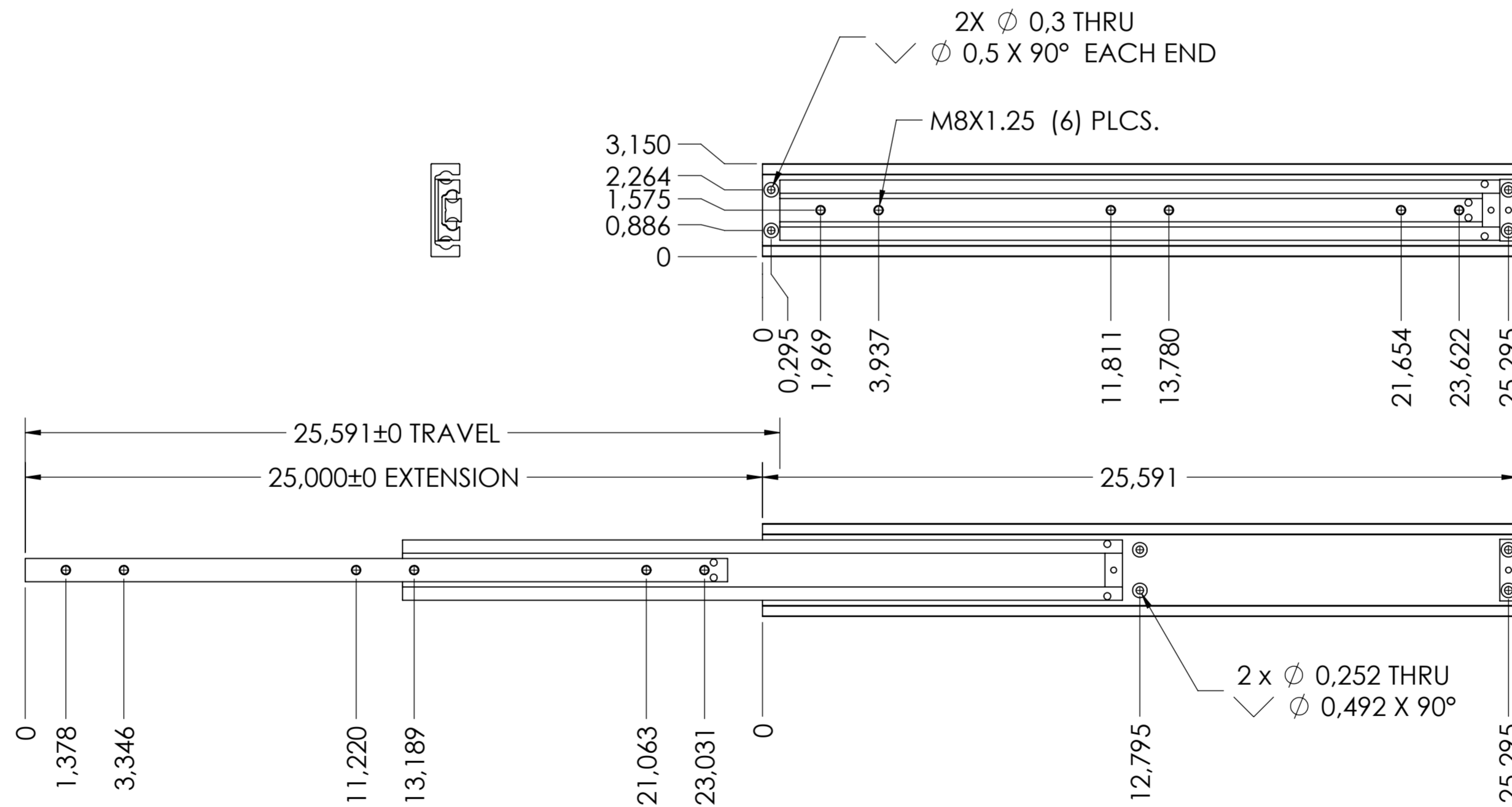


SCALE 1:1



RECOMMENDED HARDWARE:  
 CABINET- M6 FLAT HEAD SCREWS  
 (2) REAR SCREWS 12mm LONGER THAN FRONT/MIDDLE LOCATIONS  
 DRAWER- M8 x 1.25 SCREWS

|  |         |  |     |
|--|---------|--|-----|
| general tolerances   |         | DIN ISO 128-30<br>missing dimensions see 3D<br>= theor. intersection   |     |
| ISO 2768-m   |         |  |     |
| This drawing remains our property and may not be multiplied neither be disclosed to third parties (§§1,3 and 5 from the copyright Act (UrhG)) covered according to DIN ISO 16016 |         |  |     |
| scale: 1:4   |         | surface: A2  |     |
| drawn: 20-07-2018  |         | name: HB   |     |
| proven: 00-00-0000   |         | description: FULL EXTENSION SIDE MOUNT SUPER HEAVY DUTY ALUMINUM SLIDE |     |
| drawing number: 5826.650-GA.T094   |         | replaces version date:   |     |
| Fulterer AG & Co KG<br>A-6890 Lustenau / Austria   |         | drawing number: 5826.650-GA.T094                                       |     |
| Fulterer AG<br>CH-9430 St. Margrethen  |         | replaces version date:   |     |
| ind.   | changes | date   | na. |