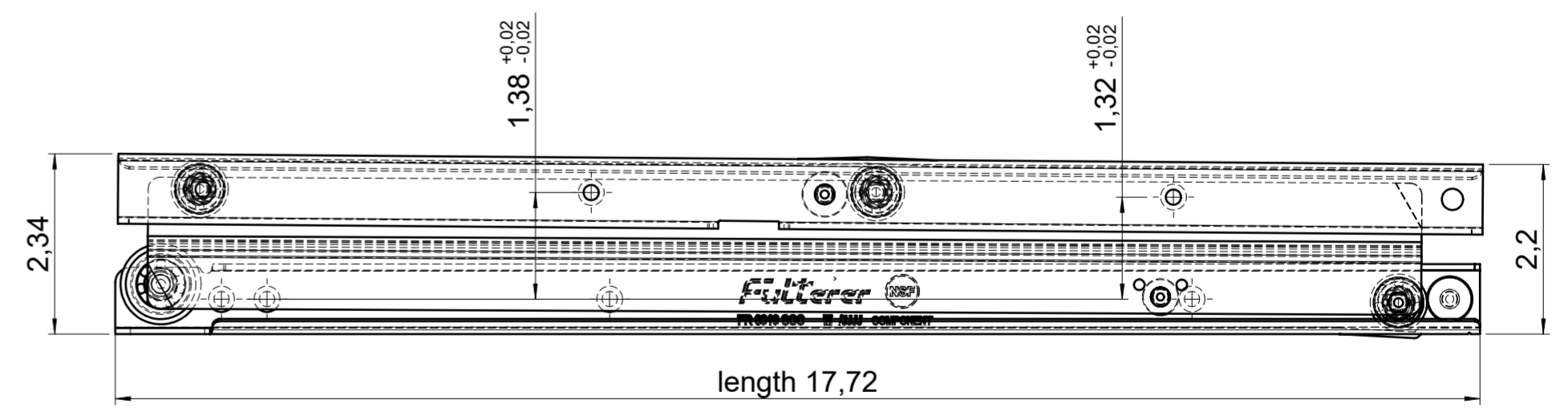
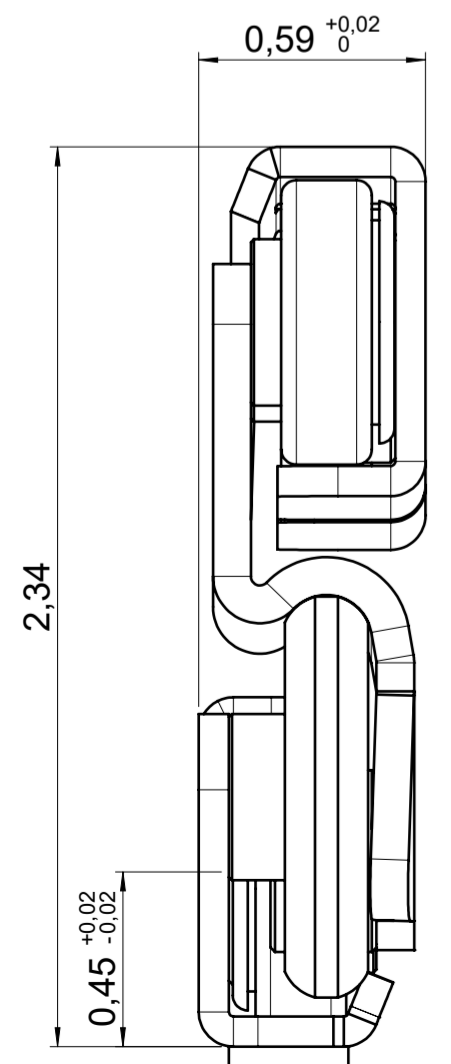
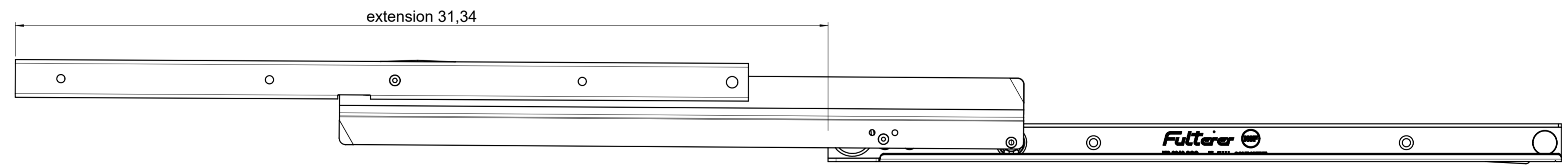
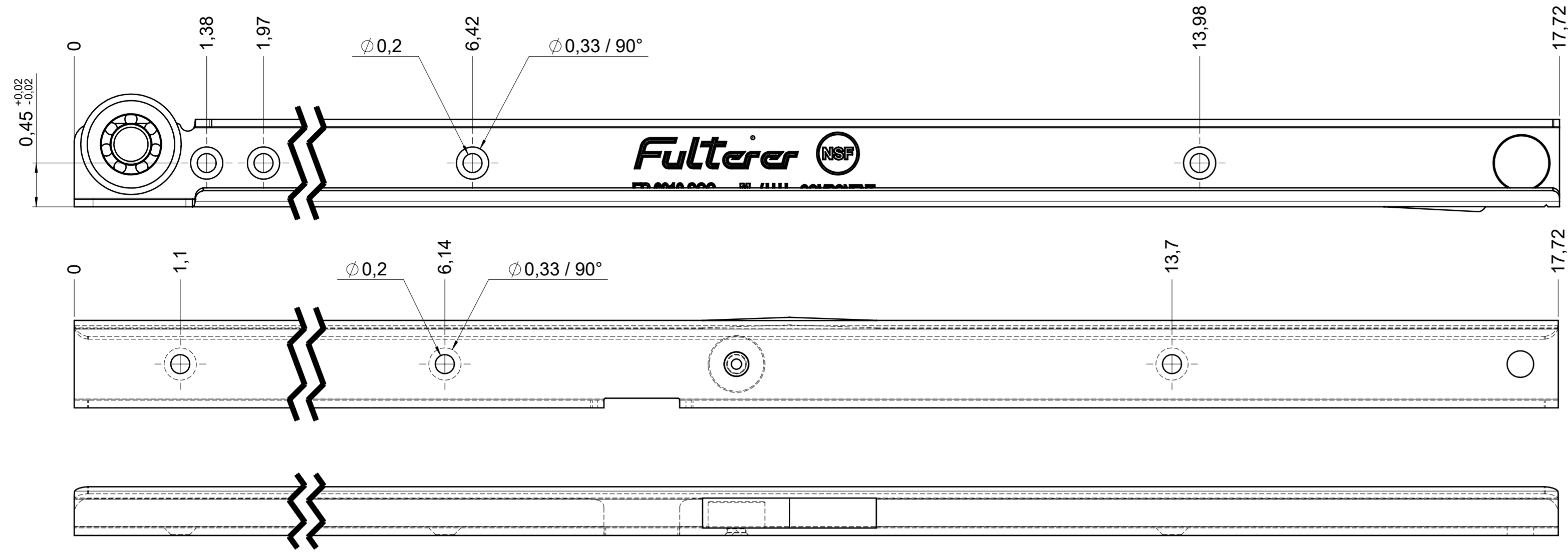


# CS# 6010.450-GA.WARM

drawn left (right mirrorimage)



**final approval**

customer name:

signed by:

date:

all dimensions in inch				DIN ISO 128-30 missing dimensions see 3D = theor. intersection	
This drawing remains our property and may not be multiplied neither be disclosed to third parties (§§1,3 and 5 from the copyright Act (UrhG)) covered according to DIN ISO 16016					
scale: 1:1		surface:		material, semi finished parts: CS (technical requirements Fulterer)	
drawn 02-01-2023		date 01-02-2023		description: FR 6010 / 45 CS EN (inch) over-extension drawerside / side mount	
proven 01-02-2023		name pr		drawing number: CS# 6010.450-GA.WARM	
		<b>Fulterer AG &amp; Co KG</b> A-6890 Lustenau / Austria <b>Fulterer AG</b> CH-9430 St. Margrethen		replaces version date:	
ind.	changes	date	na.		