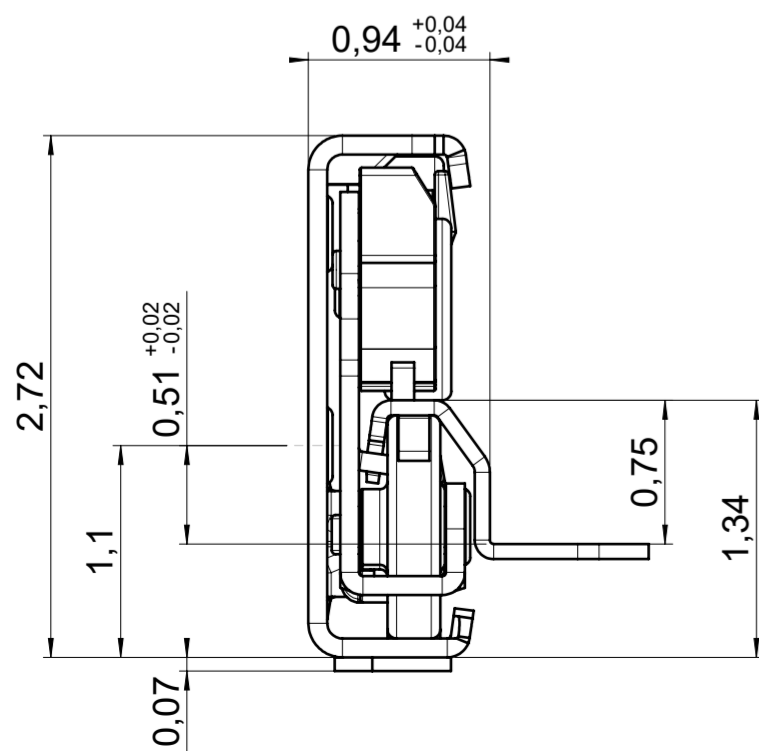
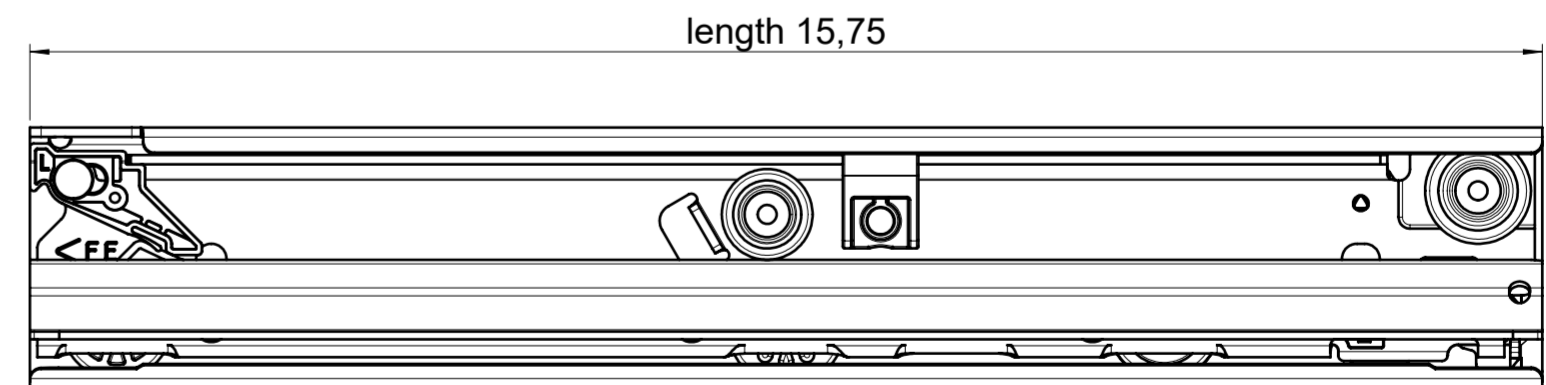
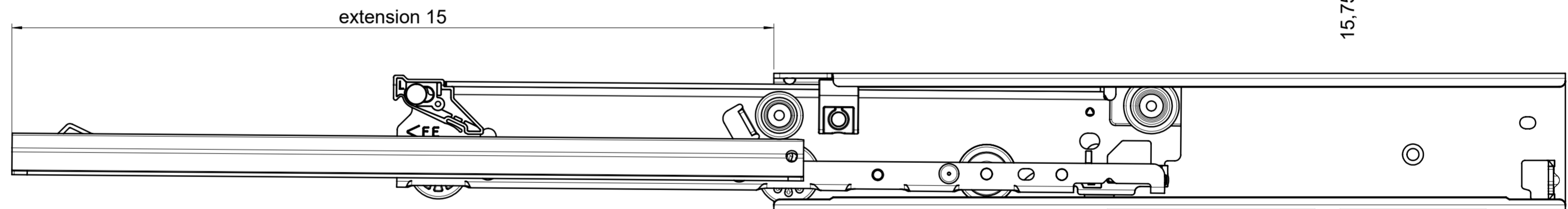
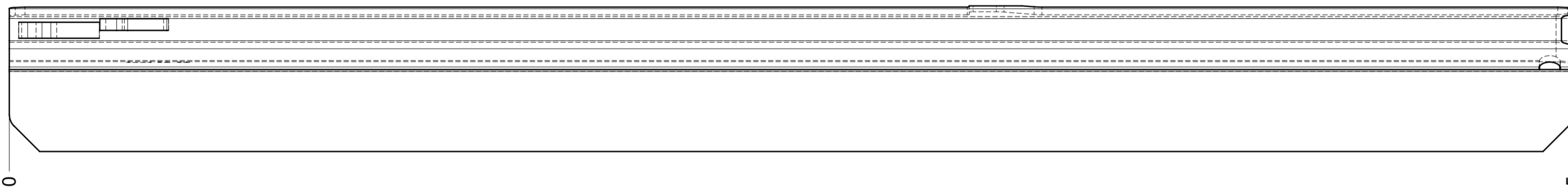
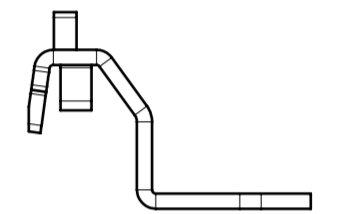
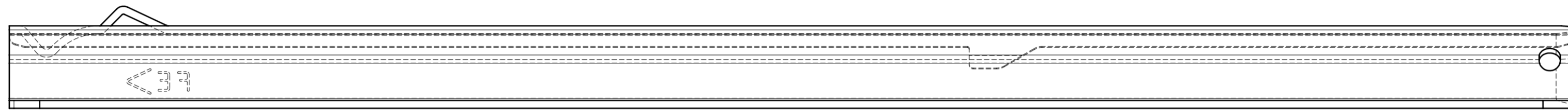
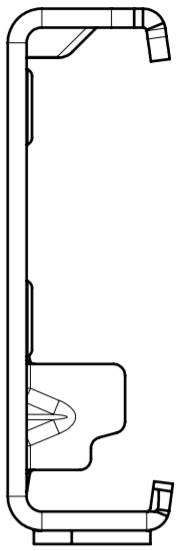
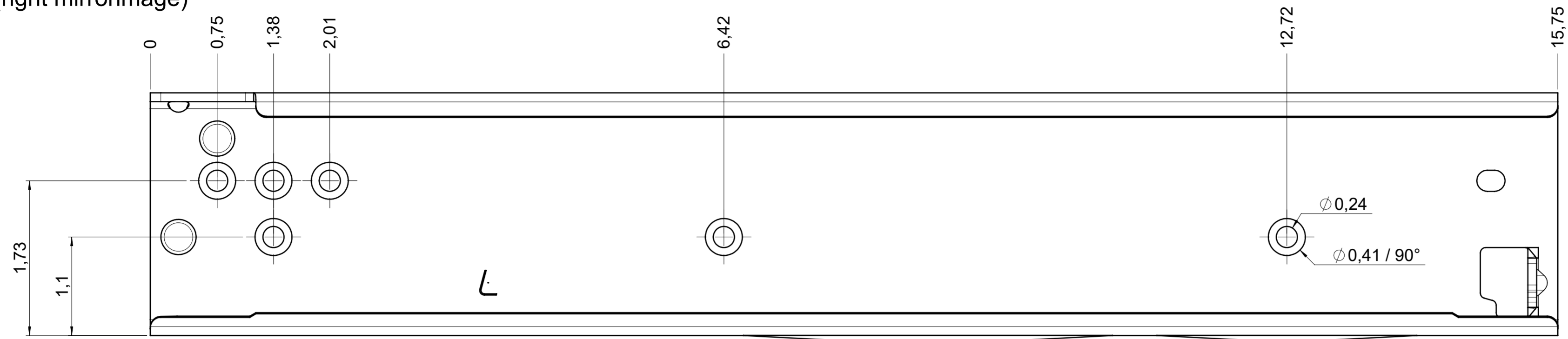


drawn left (right mirrorimage)



final approval

customer name:

signed by:

date:

all dimensions in inch

DIN ISO 128-30
missing dimensions see 3D
= theor. intersection

This drawing remains our property and may not be multiplied neither be disclosed to third parties (§§1,3 and 5 from the copyright Act (UrhG)) covered according to DIN ISO 16016				scale: 1:1	surface:	material, semi finished parts: CS (technical requirements Fulterer)	A2
(k)	(l)	(m)	(n)	drawn 14-12-2022	name BM	description: FR 7100 / 40 CS EN (inch) progressive-action full-extension drawerslide / bottom mount	drawing number: CS# 7100.400-GA.0000
(o)	(p)	(q)	(r)	proven 00-00-0000	00		
(s)	(t)	(u)	(v)	Fulterer		drawing number: CS# 7100.400-GA.0000	replaces version date:
(w)	(x)	(y)	(z)				
ind.	changes	date	na.				