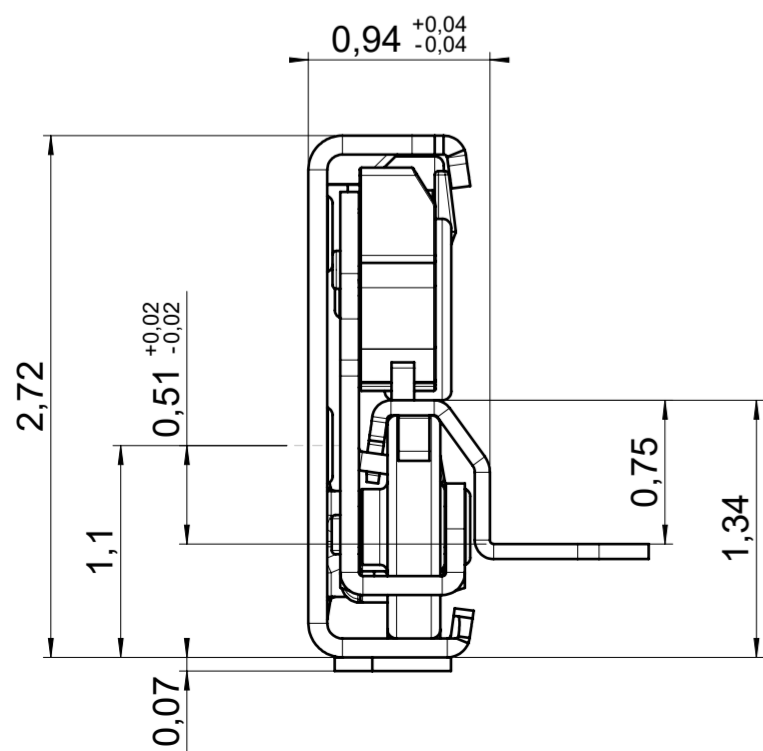
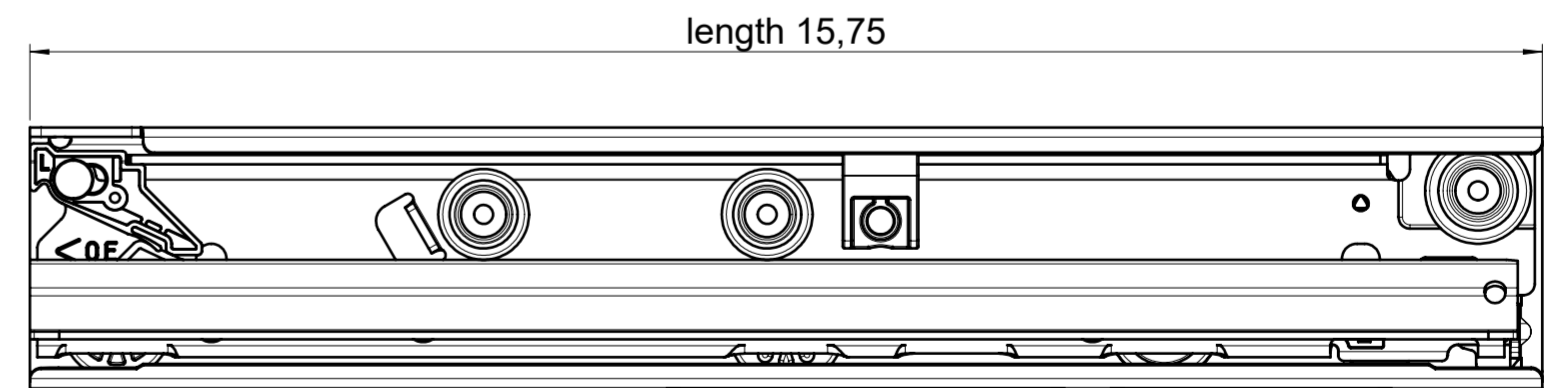
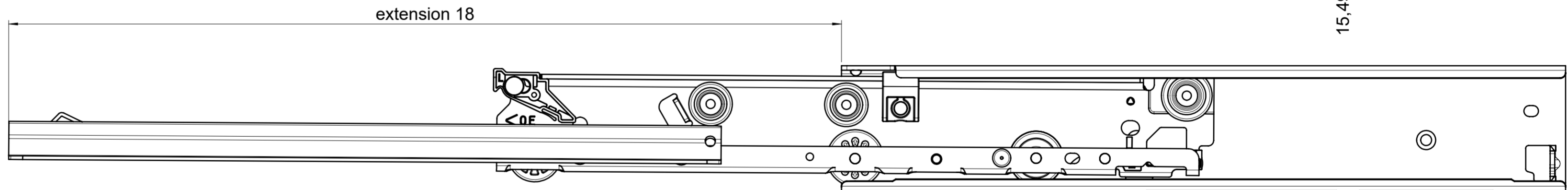
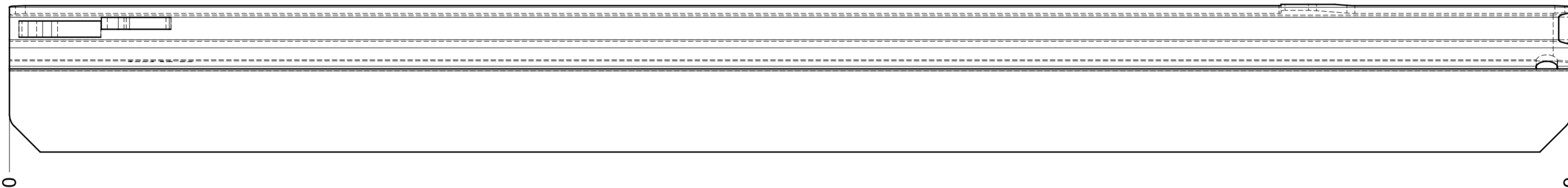
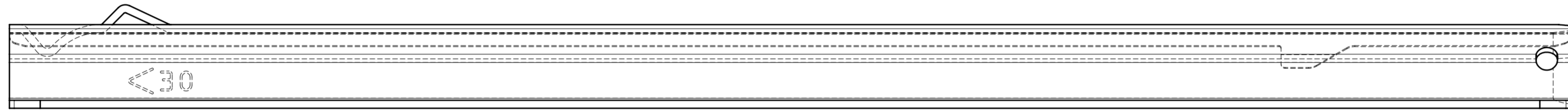
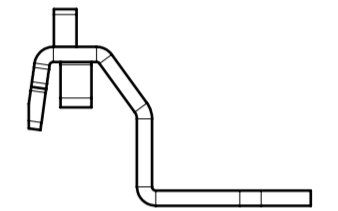
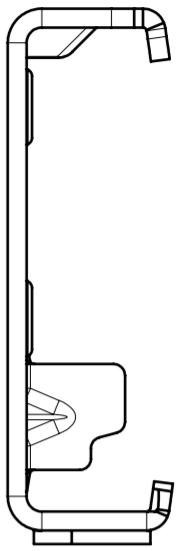
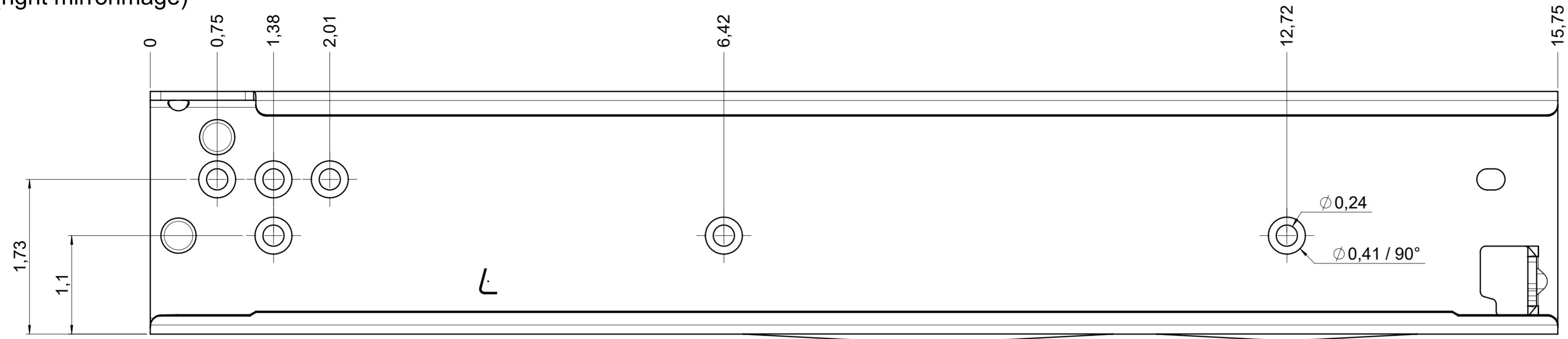


CS# 7100.400-GAÜ.0000

drawn left (right mirrorimage)



final approval

customer name:

signed by:

date:

all dimensions in inch

DIN ISO 128-30
missing dimensions see 3D
= theor. intersection

This drawing remains our property and may not be multiplied neither be disclosed to third parties (§§1,3 and 5 from the copyright Act (UrhG)) covered according to DIN ISO 16016				scale:	surface:	material, semi finished parts:	A2
(k)				1:1		CS	
(l)				drawn	date	name	
(h)				14-12-2022	14-12-2022	BM	
(g)				proven	00-00-0000	00	
(f)				Fulterer		description: FR 7100 / 40 CS EN (inch) progressive-action over-extension drawerslide / bottom mount	
(e)							
(d)				Fulterer AG & Co KG		drawing number: CS# 7100.400-GAÜ.0000	
(c)				A-6890 Lustenau / Austria			
(b)				Fulterer AG		replaces version date:	
(a)				CH-9430 St. Margrethen			
ind.	changes	date	na.				