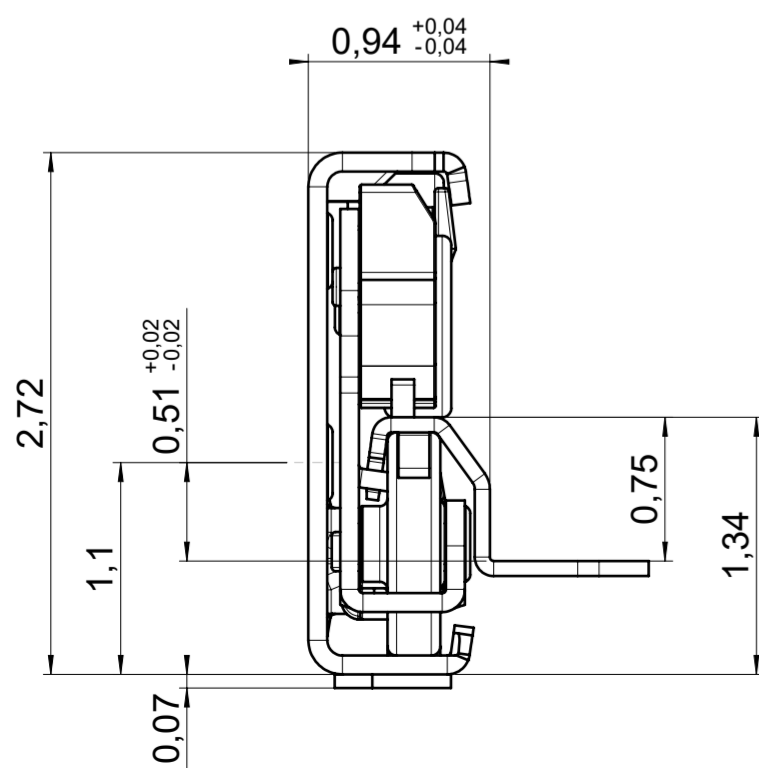
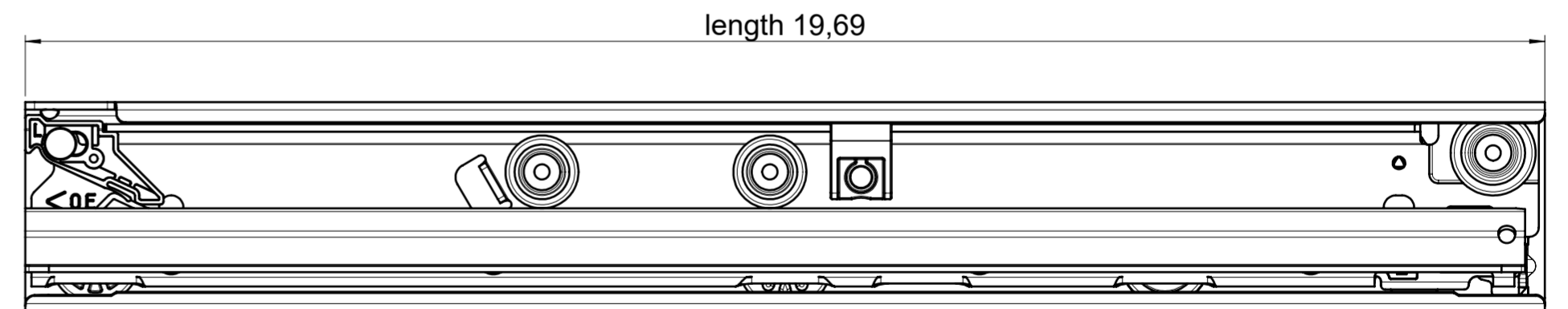
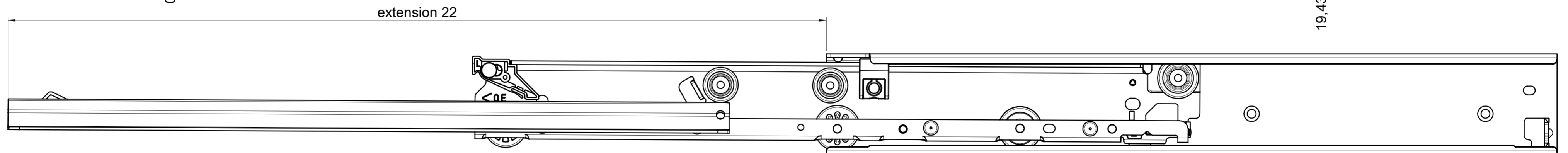
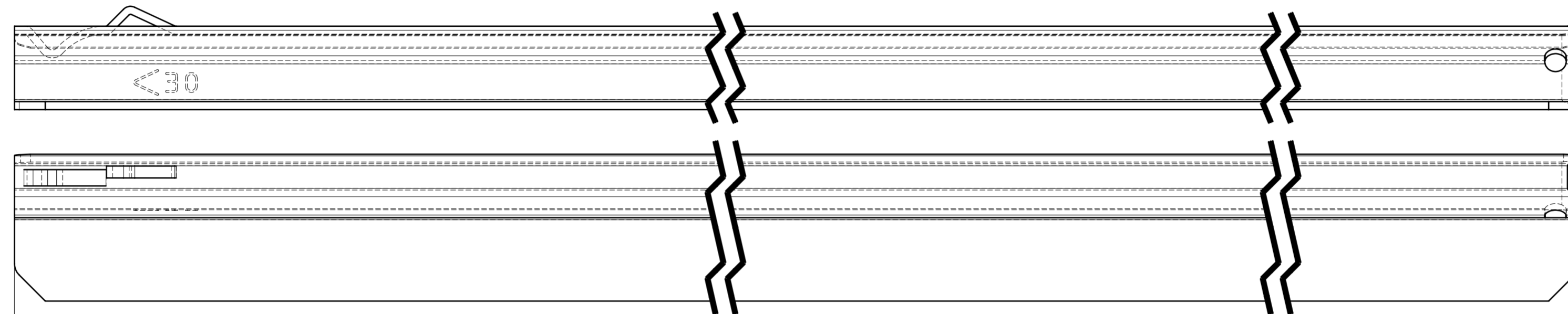
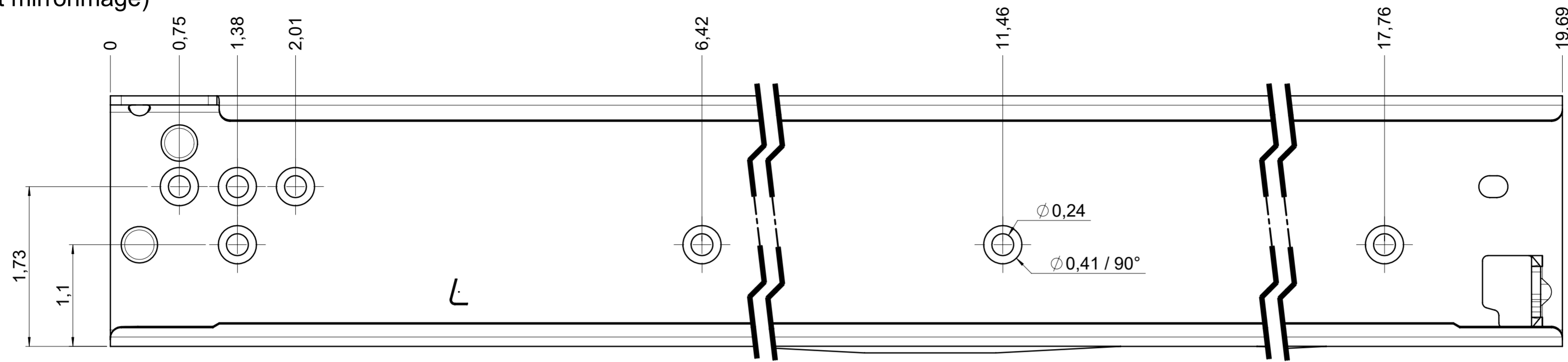


CS# 7100.500-GAÜ.0000

drawn left (right mirrorimage)



final approval

customer name:

signed by:

date:

all dimensions in inch

DIN ISO 128-30
missing dimensions see 3D
= theor. intersection

This drawing remains our property and may not be multiplied neither be disclosed to third parties (§§1,3 and 5 from the copyright Act (UrhG)) covered according to DIN ISO 16016				scale:	surface:	material, semi finished parts:
(k)				1:1		CS
(l)				drawn	date	(technical requirements Fulterer)
(m)				14-12-2022	BM	
(n)				proven	00-00-0000	00
(o)				Fulterer		description: FR 7100 / 50 CS EN (inch) progressive-action over-extension drawerslide / bottom mount
(p)			Fulterer AG & Co KG A-6890 Lustenau / Austria			
(q)				Fulterer AG CH-9430 St. Margrethen		drawing number: CS# 7100.500-GAÜ.0000
(r)						replaces version date:
(s)	changes	date	na.			