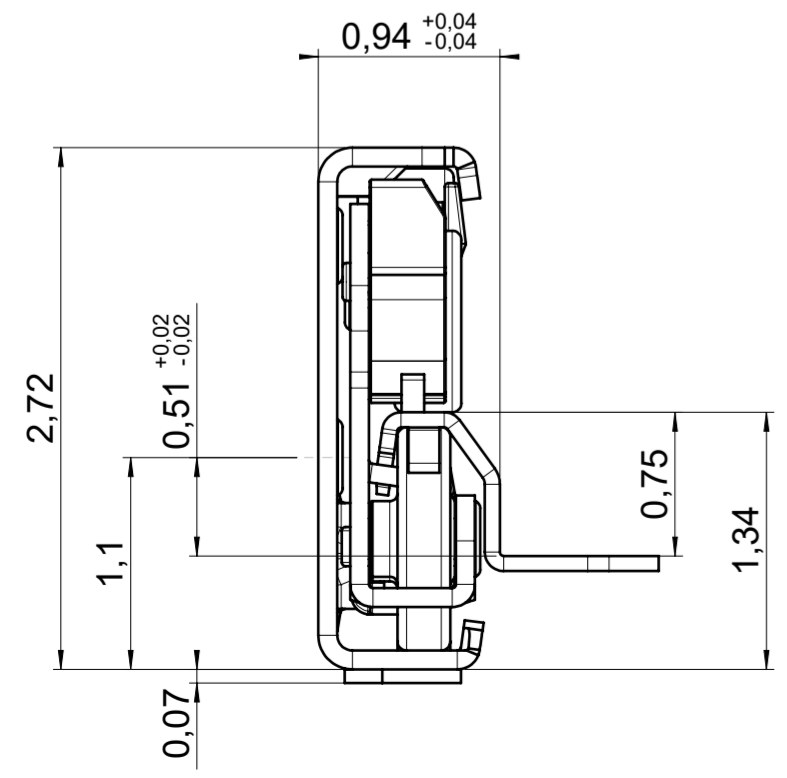
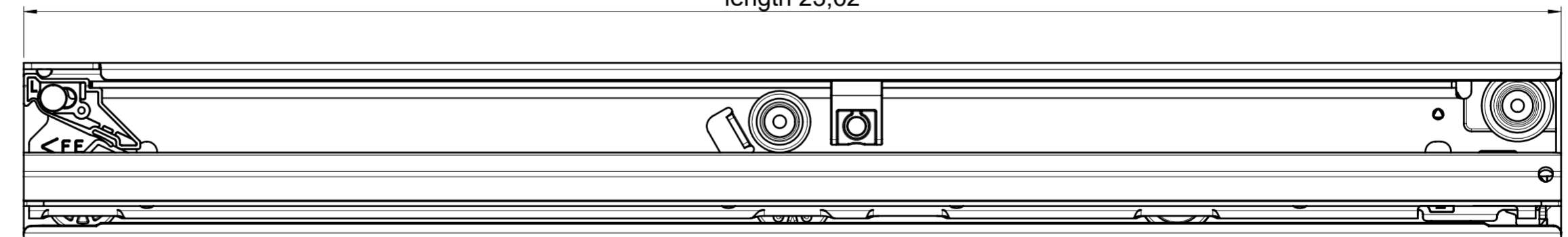
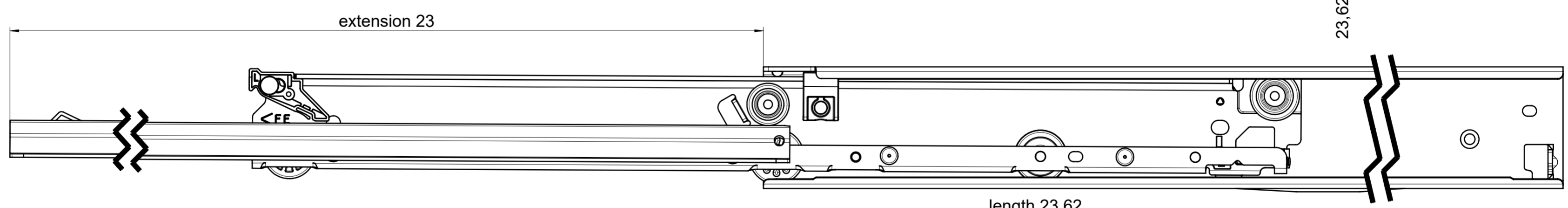
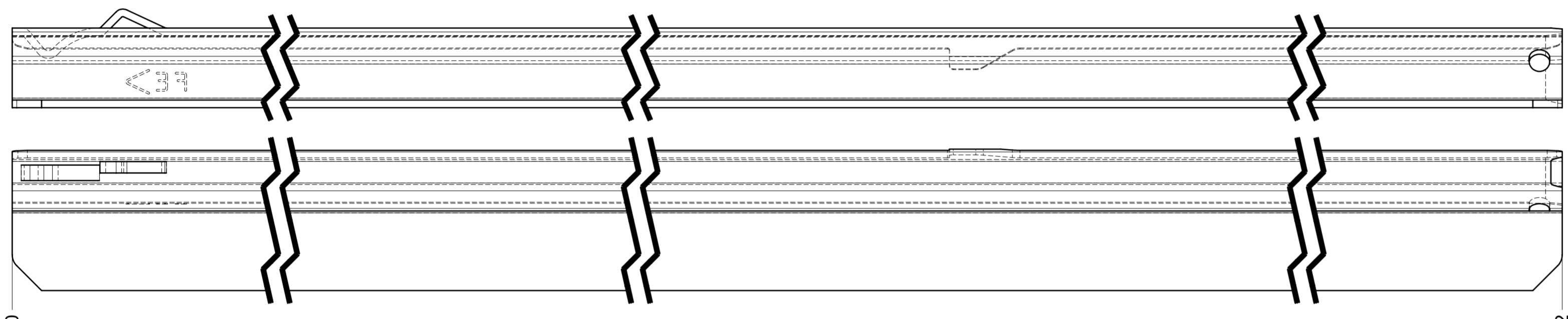
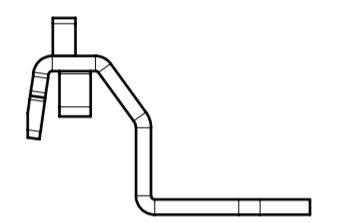
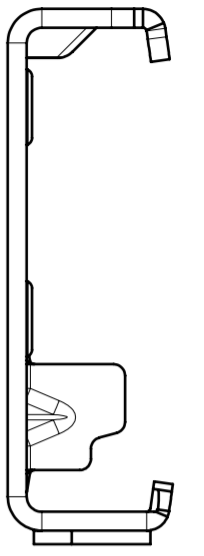
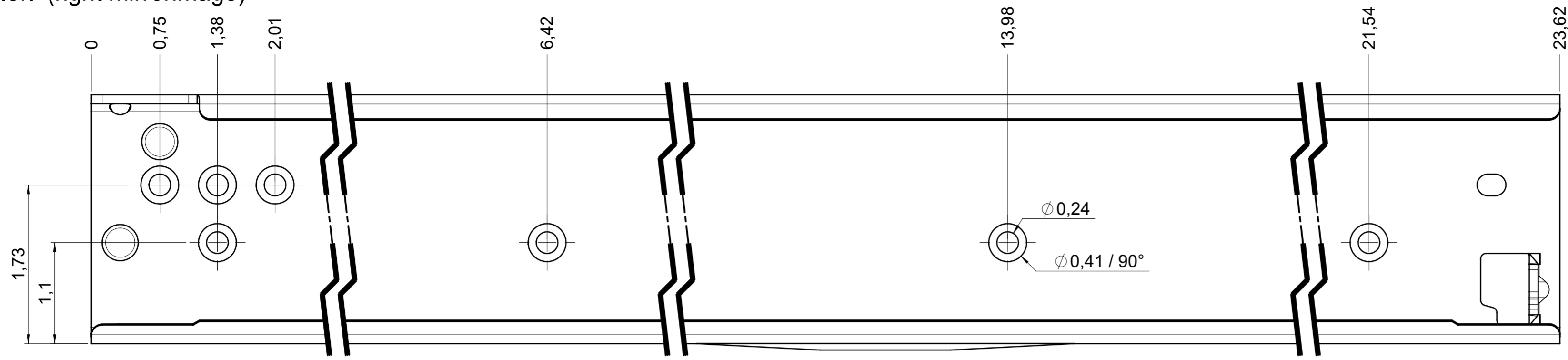


drawn left (right mirrorimage)



**final approval**

customer name:

signed by:

date:

<b>all dimensions in inch</b>			DIN ISO 128-30 missing dimensions see 3D = theor. intersection	
This drawing remains our property and may not be multiplied neither be disclosed to third parties (§§1,3 and 5 from the copyright Act (UrhG)) covered according to DIN ISO 16016				
(k) (l) (m) (n) (h) (g) (f) (e) (d) (c) (b) (a)	scale:	1:1	surface:	material, semi finished parts: CS (technical requirements Fulterer)
	drawn	14-12-2022	name	BM
	proven	00-00-0000	name	00
			description: FR 7100 / 60 CS EN (inch) progressive-action full-extension drawerslide / bottom mount	
Fulterer AG & Co KG A-6890 Lustenau / Austria Fulterer AG CH-9430 St. Margrethen			drawing number: <b>CS# 7100.600-GA.0000</b> replaces version date:	
ind.	changes	date	na.	