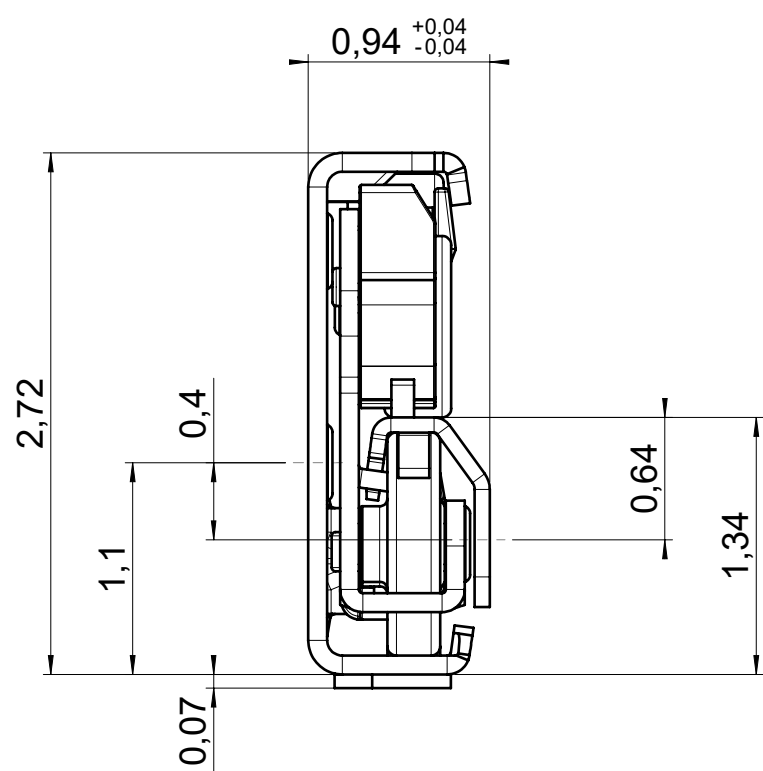
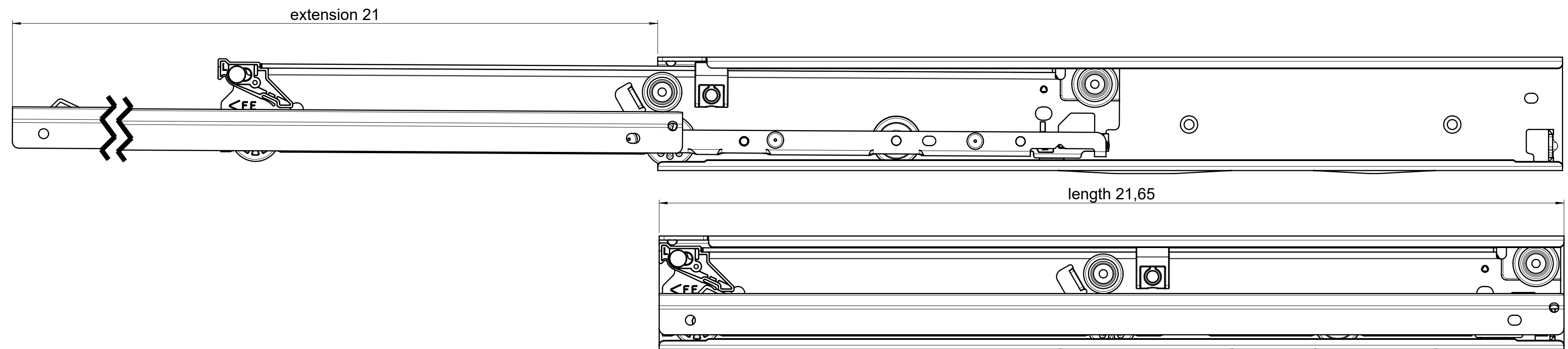
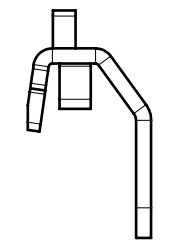
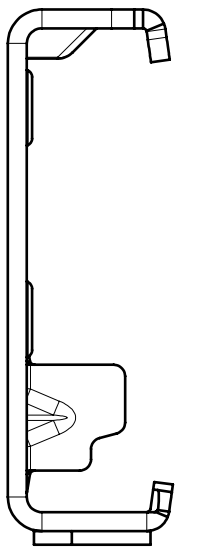
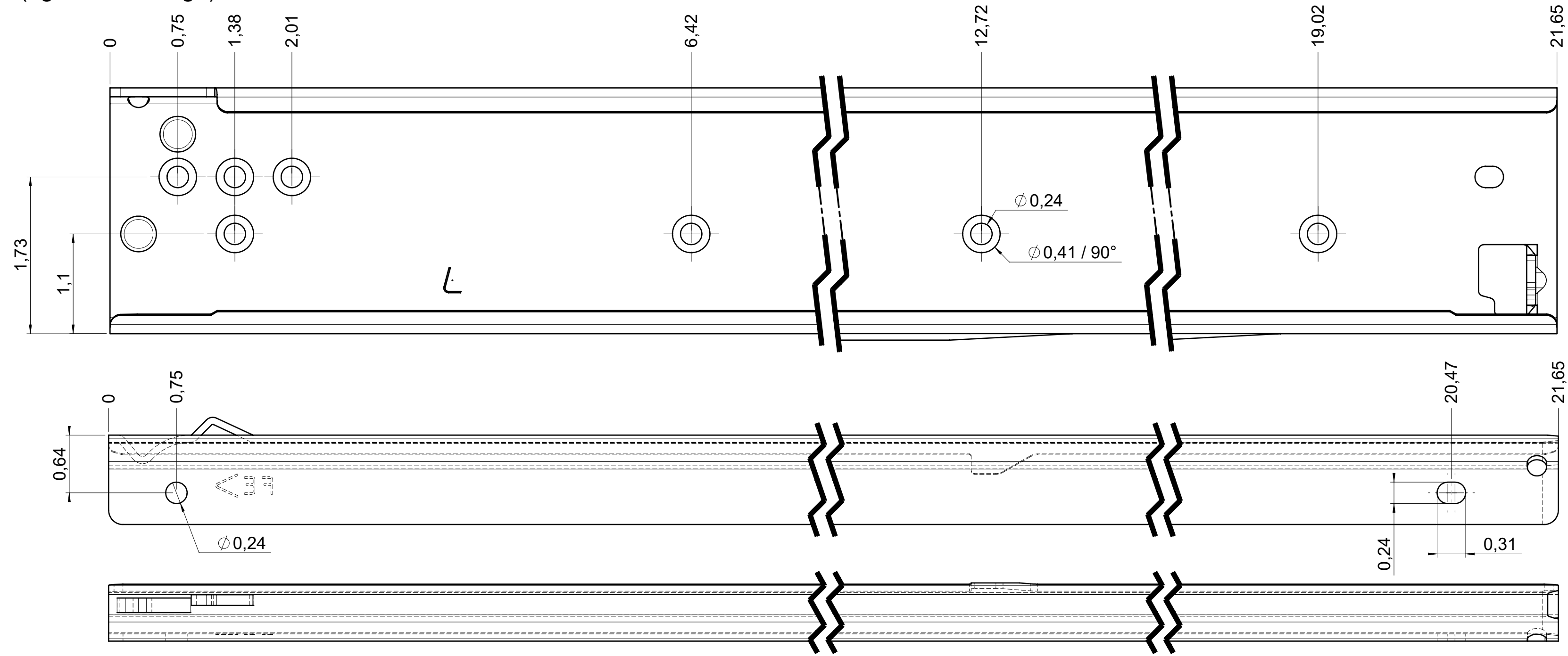


drawn left (right mirrorimage)



final approval

customer name:

signed by:

date:

all dimensions in inch

DIN ISO 128-30
missing dimensions see 3D
= theor. intersection

This drawing remains our property and may not be multiplied neither be disclosed to third parties (§§1,3 and 5 from the copyright Act (UrhG)) covered according to DIN ISO 16016				scale: 1:1	surface:	material, semi finished parts:	A2
(k)				date	name	CS	
(l)				drawn 05-01-2023	BM	(technical requirements Fulterer)	
(h)				proven 00-00-0000	00	description: FR 7101 / 55 CS EN (inch) progressive-action full-extension drawerslide / side mount	
(g)				Fulterer			
(f)				Fulterer AG & Co KG A-6890 Lustenau / Austria		drawing number: CS# 7101.550-GA.0000	
(e)				Fulterer AG CH-9430 St. Margrethen			replaces version date:
(d)				changes	date	na.	
(c)							
(b)							
(a)							