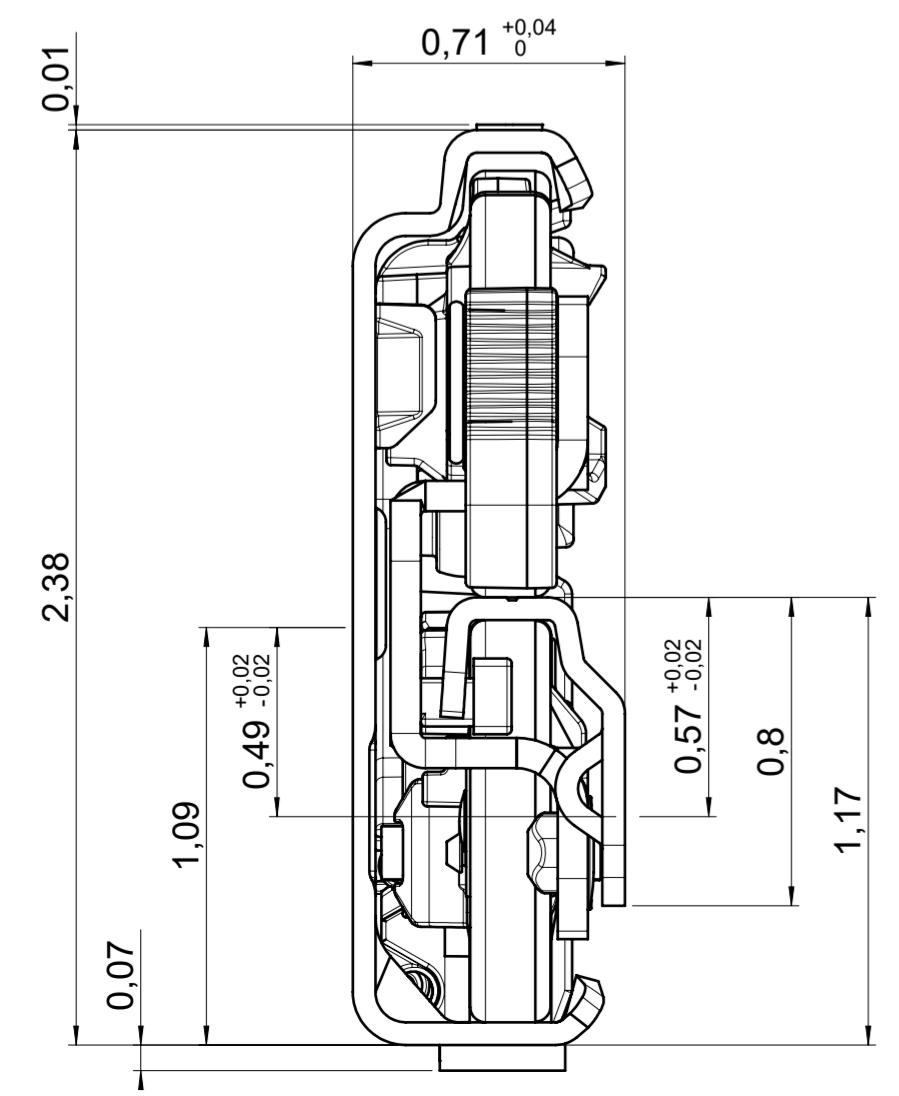
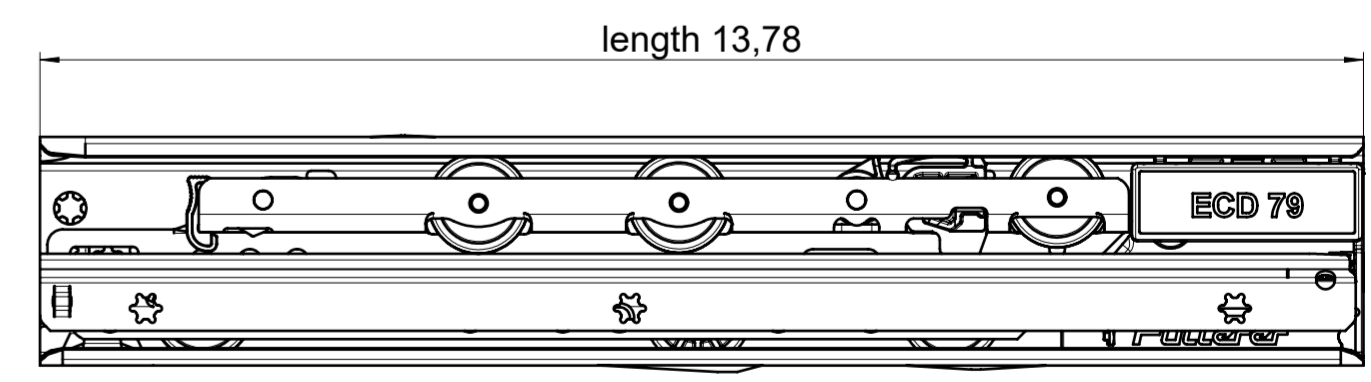
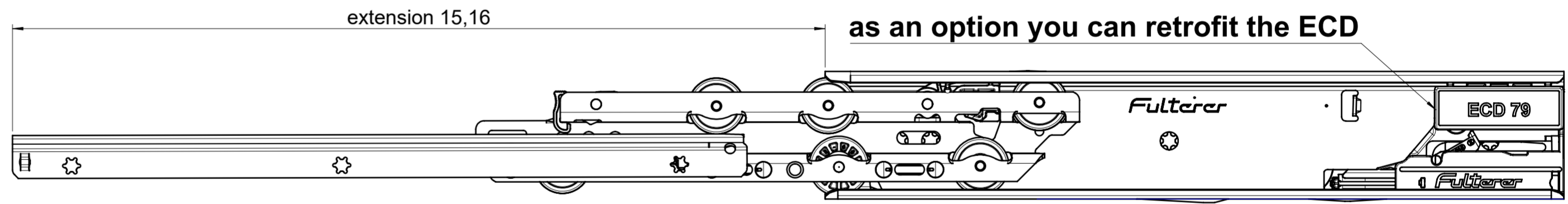
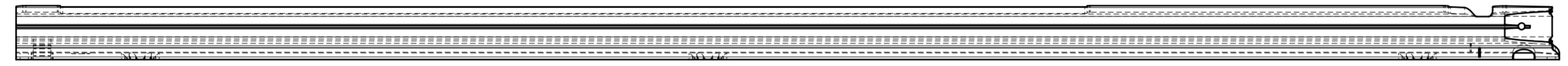
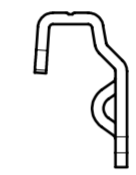
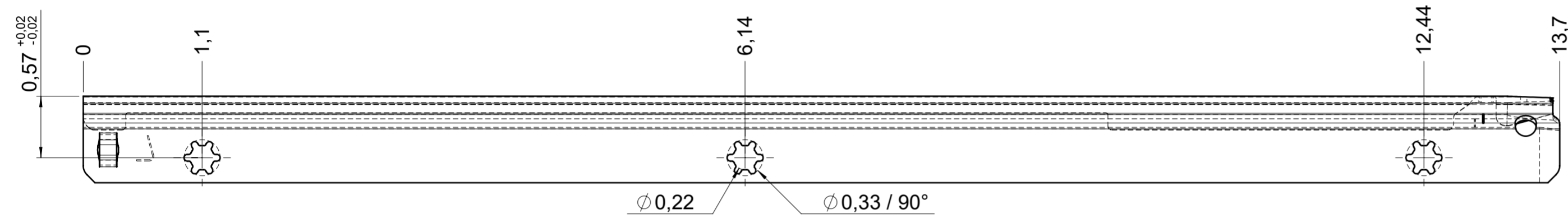
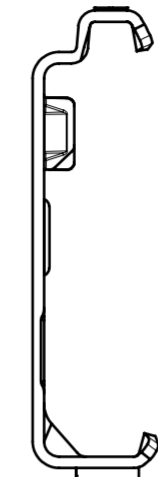
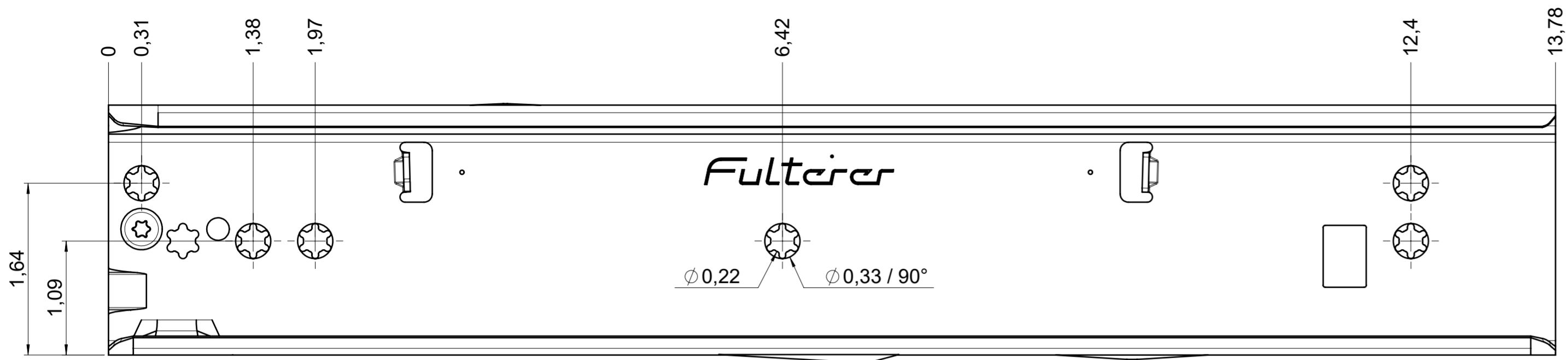


drawn on the left (mirrored on the right)



**final approval**

customer name:

signed by:

date:

all dimensions in inch					
missing dimensions see 3D = theor. intersection	DIN ISO 128-30	scale: 1:1	surface/color:	material: CS (technical requirements Fulterer)	
<b>prototype approval</b>		drawn	date	name	description: <b>FR 795-350 CS EN (inch)</b> progressive-action over-extension drawerslide / side mount
		2023-10-09	RK		
		proven	2024-01-12	RK	drawing number: <b>CS# 795.350-GA.L500</b>
				replaces the edition:	
ind. changes		date	name		
<small>This drawing remains our property and may not be multiplied neither be disclosed to third parties (§§1.3 and 5 from the copyright Act (UrH.G)).</small>					
					covered according to DIN ISO 16016
					<b>A2</b>