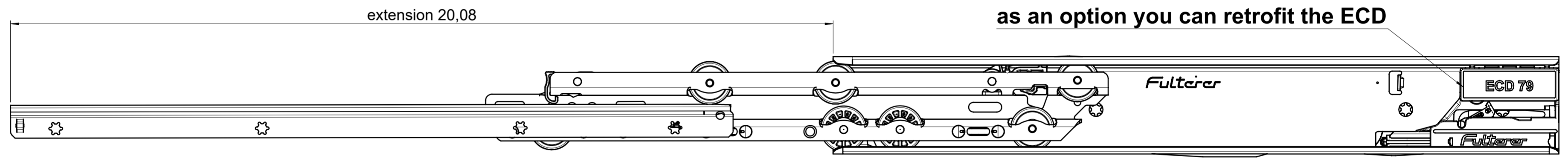
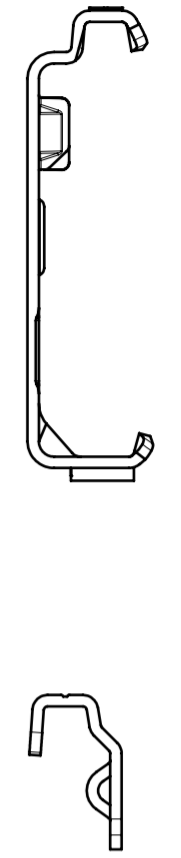
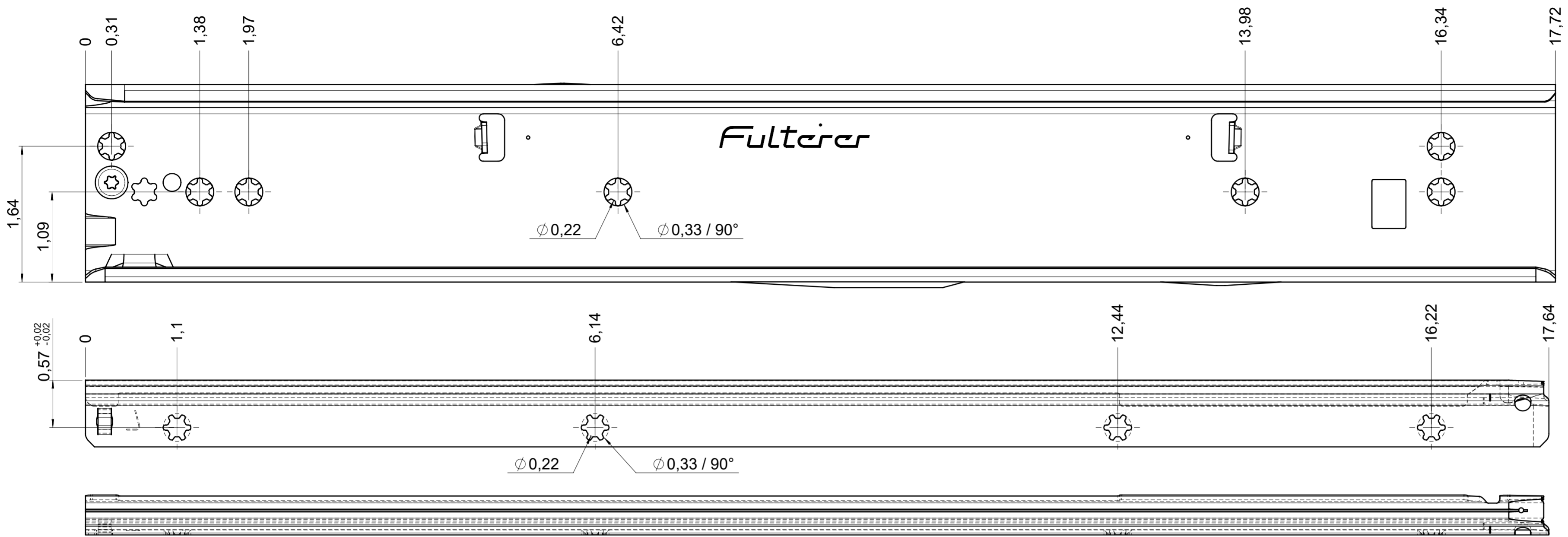
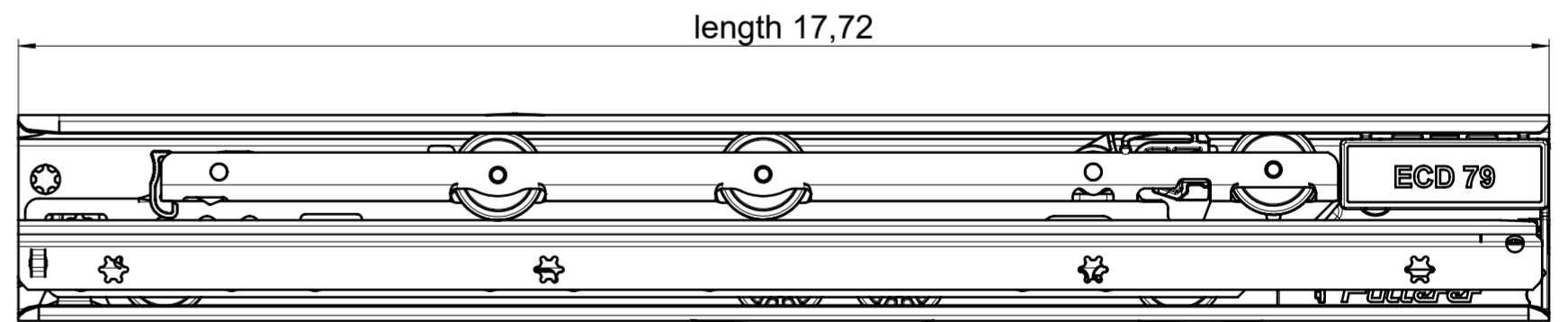
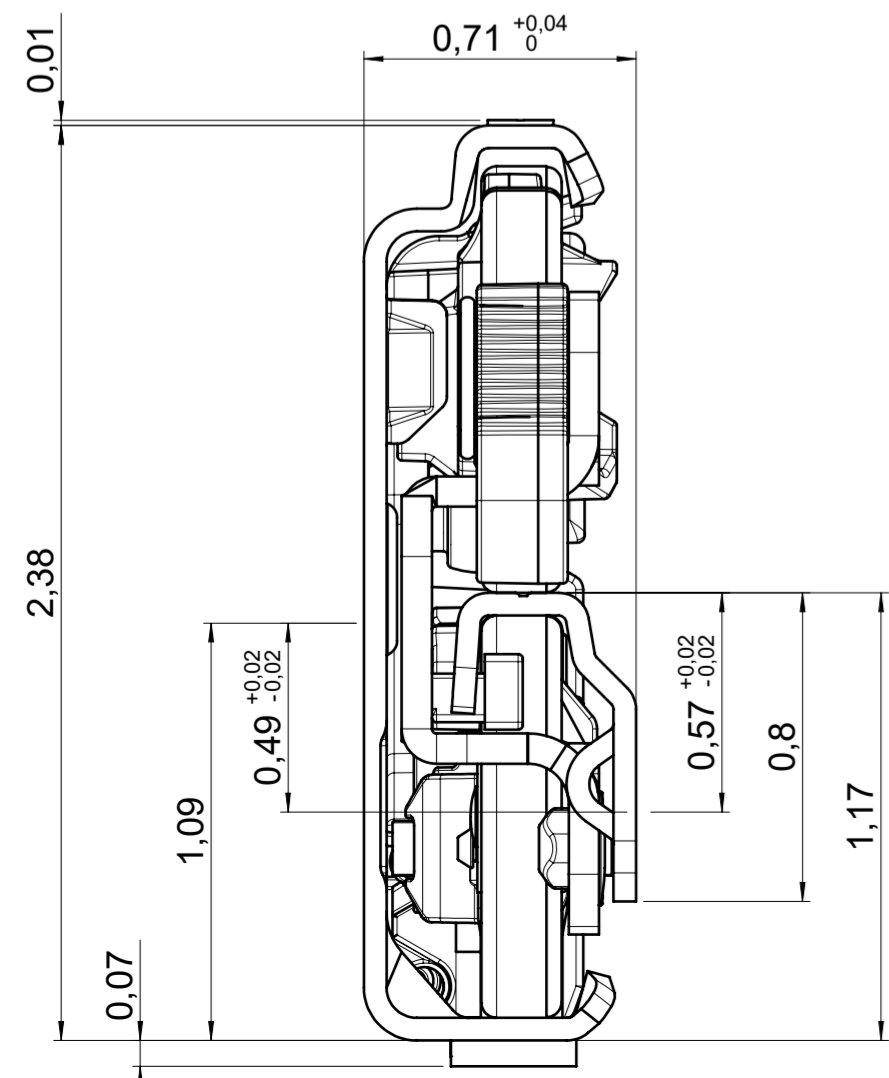


drawn on the left (mirrored on the right)



as an option you can retrofit the ECD



final approval

customer name:

signed by:

date:

all dimensions in inch					
missing dimensions see 3D = theor. intersection		scale: 1:1	surface/color:	material: CS	(technical requirements Fulterer)
prototype approval	drawn	2023-10-09	RK	description: FR 795-450 CS EN (inch)	
	proven	2024-01-12	RK	progressive-action over-extension drawerslide / side mount	
 Fulterer AG & Co KG A-6890 Lustenau Fulterer AG CH-9430 St. Margrethen				drawing number: CS# 795.450-GA.L500	
ind. changes				replaces the edition:	
This drawing remains our property and may not be multiplied neither be disclosed to third parties (§§1.3 and 5 from the copyright Act (UrH.G)).					covered according to DIN ISO 16016