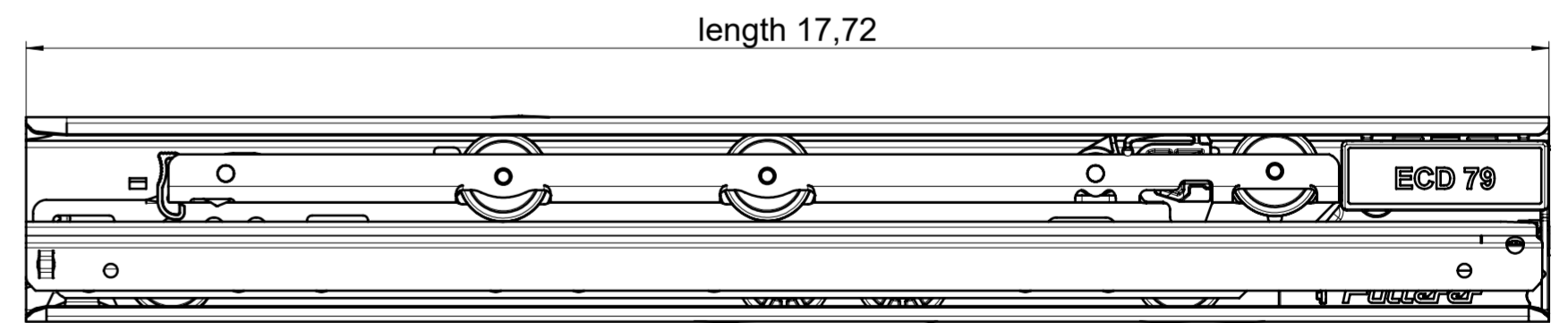
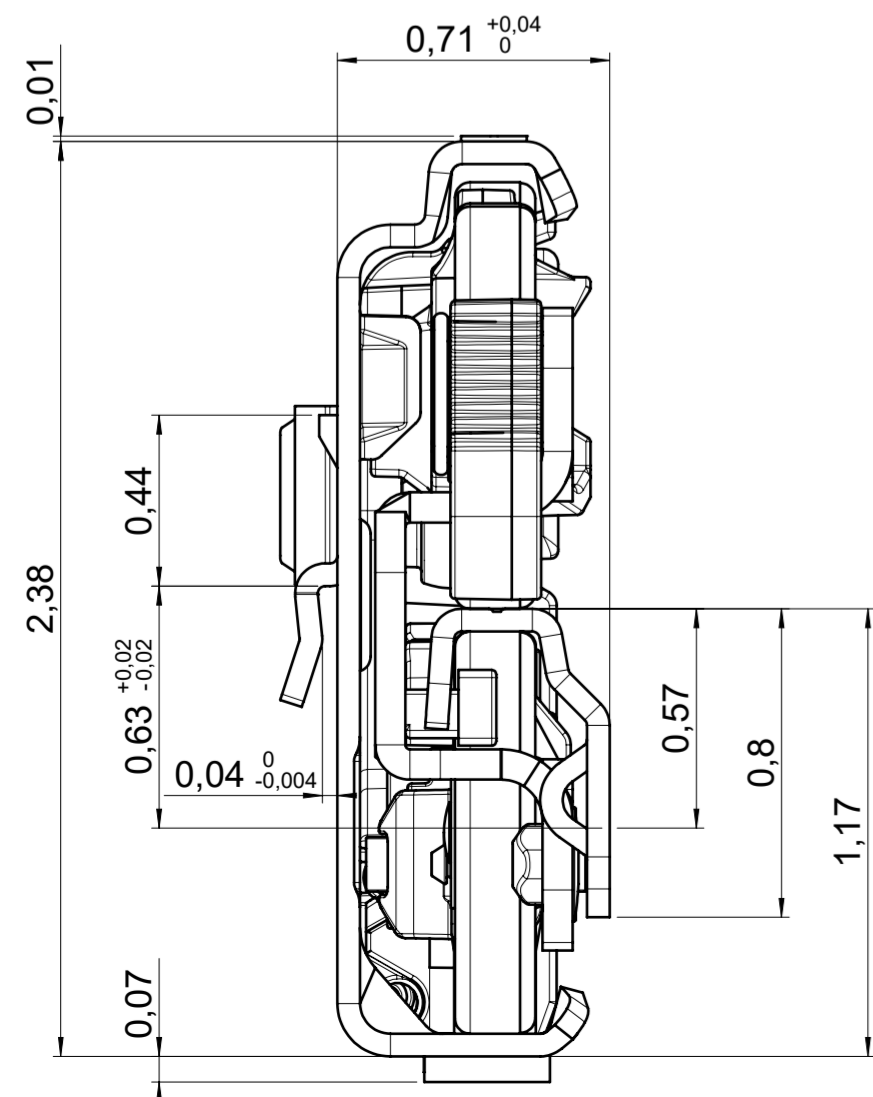
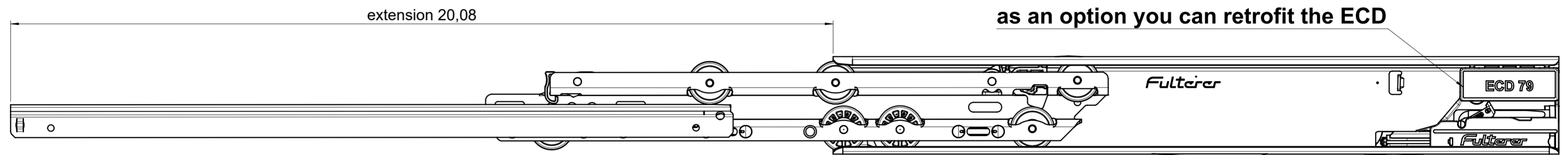
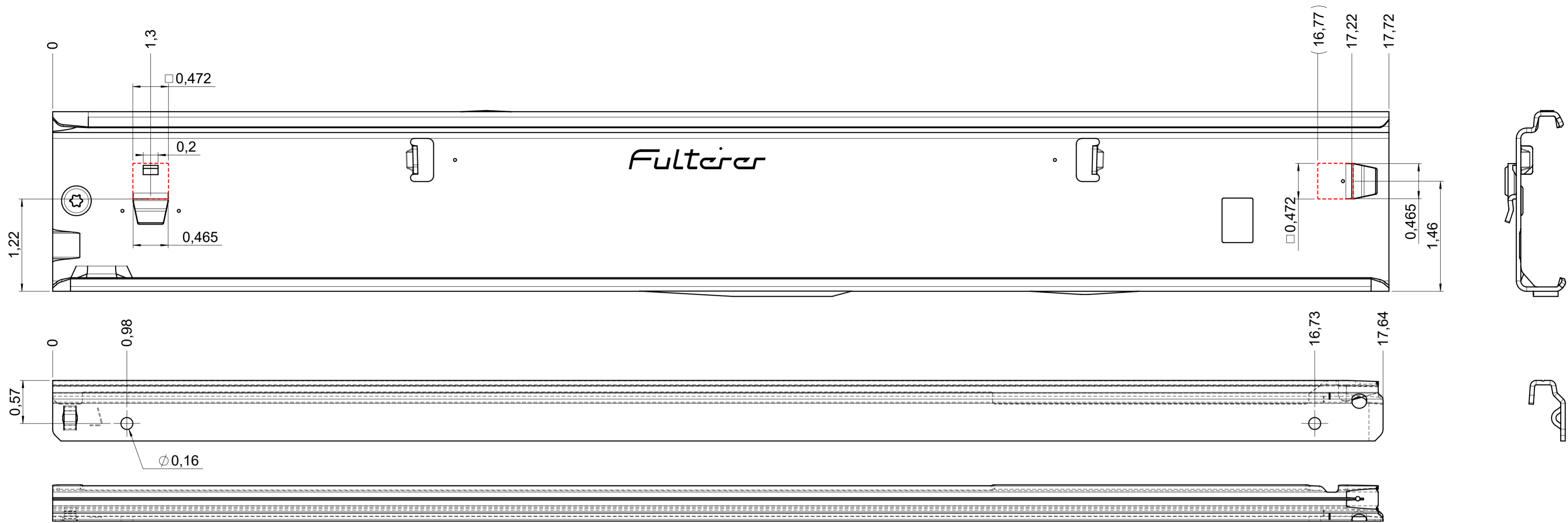


drawn on the left (mirrored on the right)



final approval	customer name:
	signed by:
	date:

all dimensions in inch			
missing dimensions see 3D ⇒ ⊕ = theor. intersection	scale: 1:1	surface/color:	material: CS (technical requirements Fulterer)
prototype approval	drawn 2023-12-20 RK	date 2024-01-12 RK	description: FR 795-450 CS EN (inch) progressive-action over-extension drawerslide / side mount
	Fulterer Fulterer AG & Co KG A-6890 Lustenau		
ind. changes	date	name	replaces the edition: