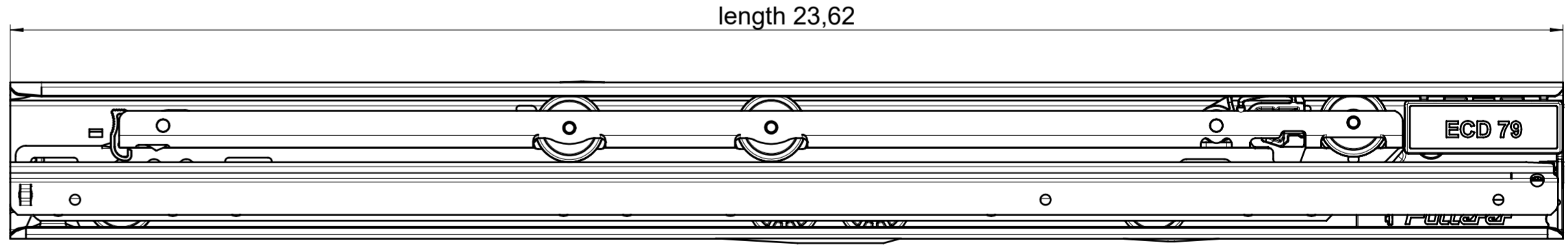
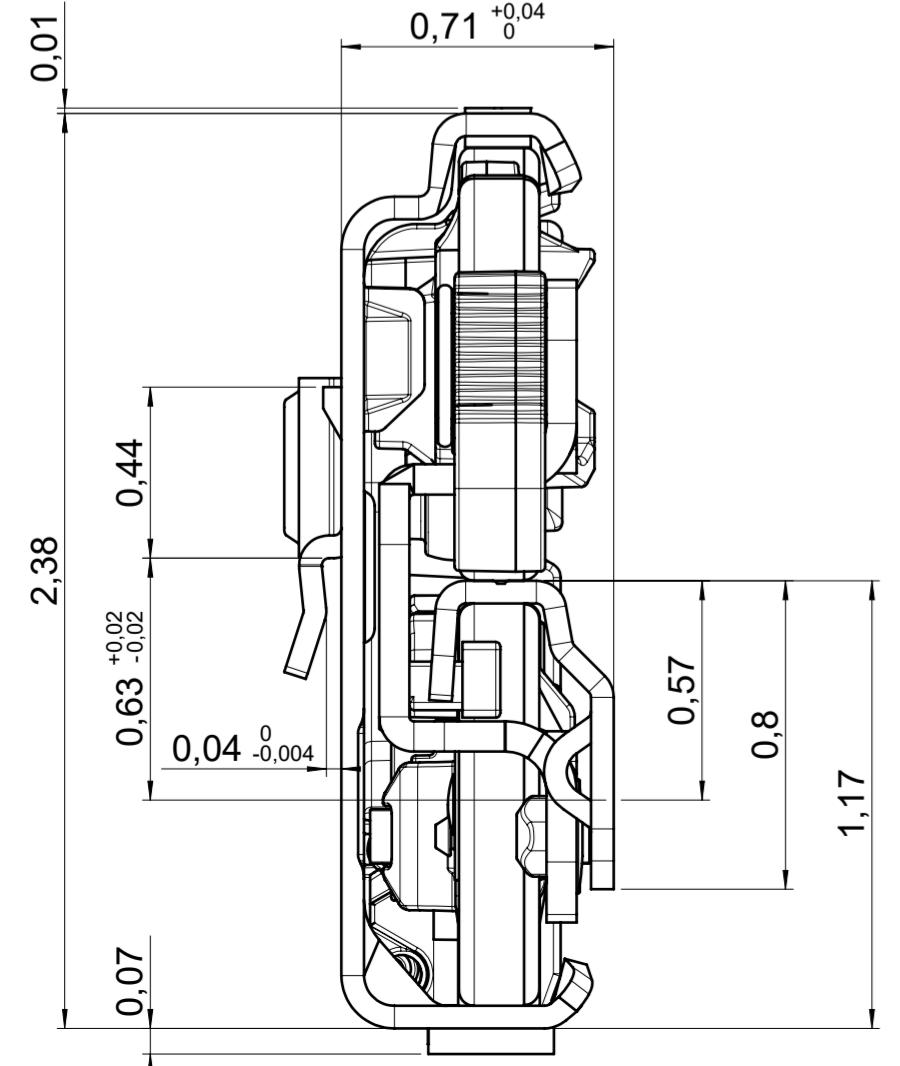
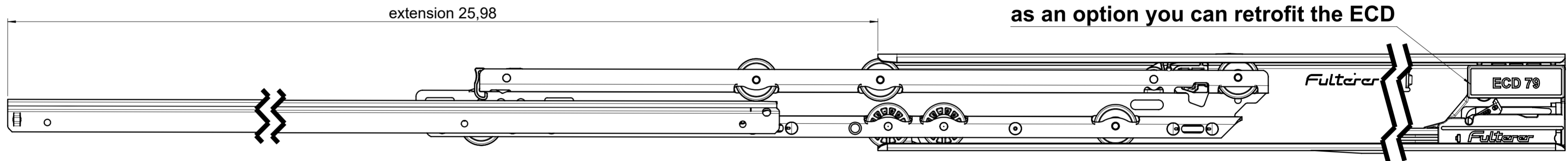
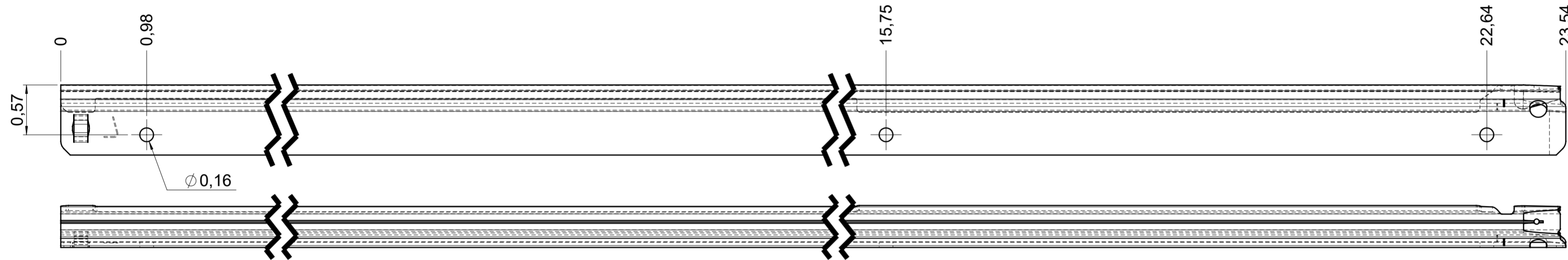
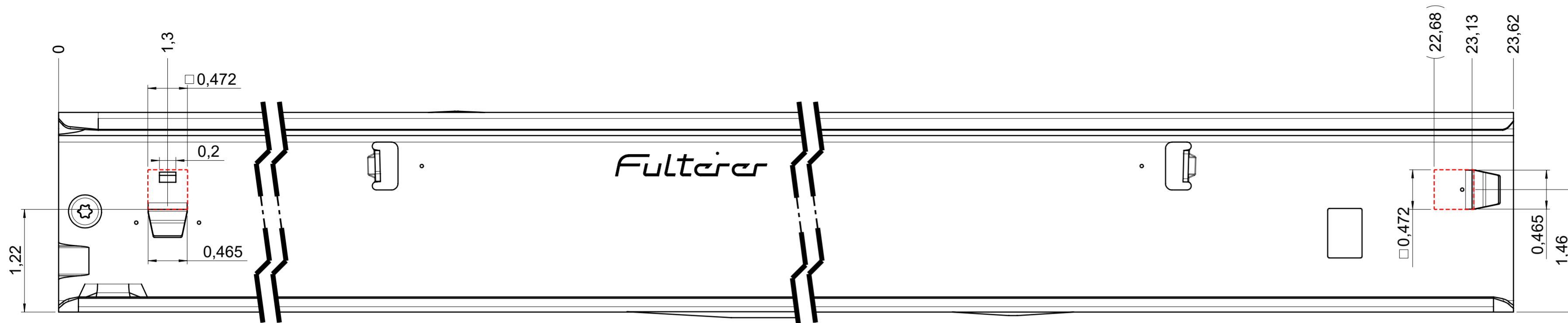


drawn on the left (mirrored on the right)



**final approval**

customer name:

signed by:

date:

all dimensions in inch										
missing dimensions see 3D ☉ = theor. intersection	scale: 1:1	surface/color:	material: CS (technical requirements Fulterer)							
<b>prototype approval</b>	drawn 2023-12-20 RK	date 2024-01-12 RK	description: <b>FR 795-600 CS EN (inch)</b> progressive-action over-extension drawerslide / side mount							
drawing number: <b>CS# 795.600-GA.L525</b>			replaces the edition: covered according to DIN ISO 16016							
ind. changes: <table border="1"> <thead> <tr> <th>ind.</th> <th>changes</th> <th>date</th> <th>name</th> </tr> </thead> <tbody> <tr> <td>①</td> <td>PDM</td> <td>2023-12-20</td> <td>RK</td> </tr> </tbody> </table>				ind.	changes	date	name	①	PDM	2023-12-20
ind.	changes	date	name							
①	PDM	2023-12-20	RK							