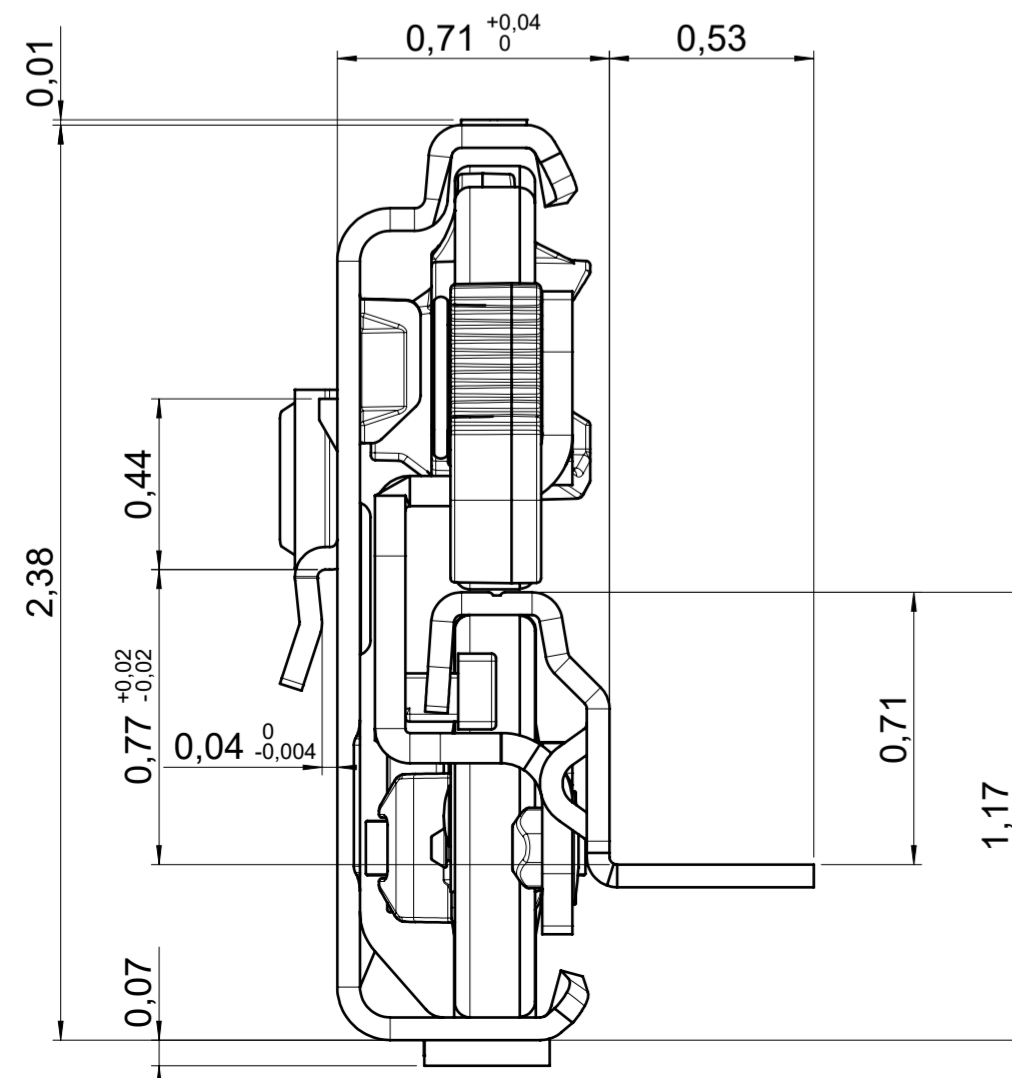
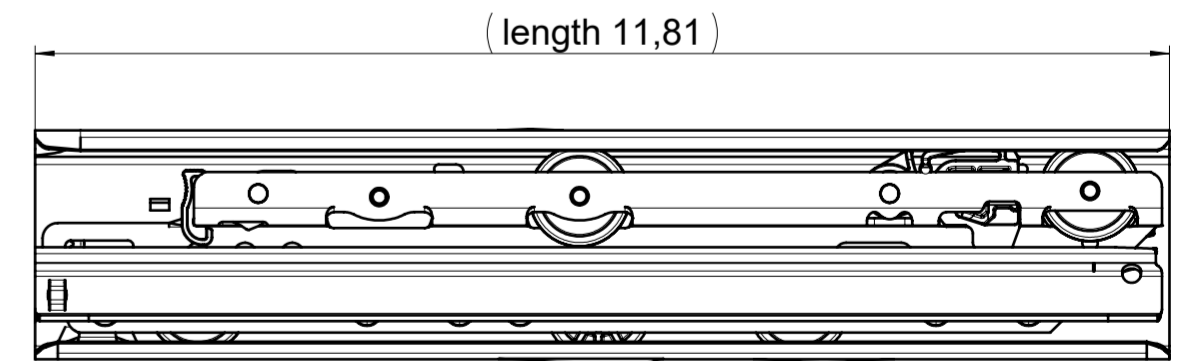
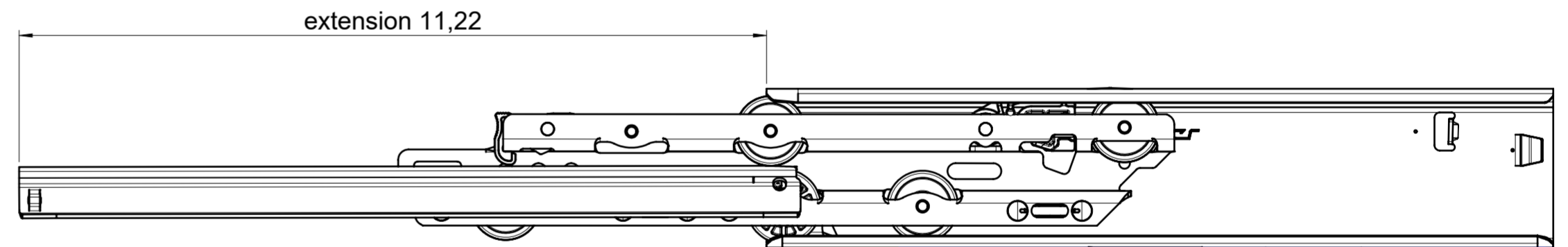
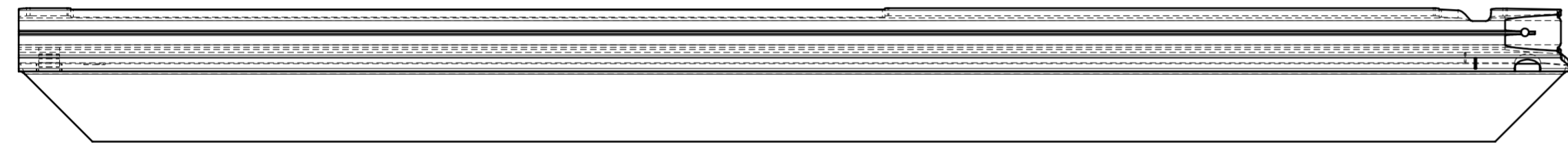
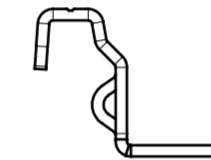
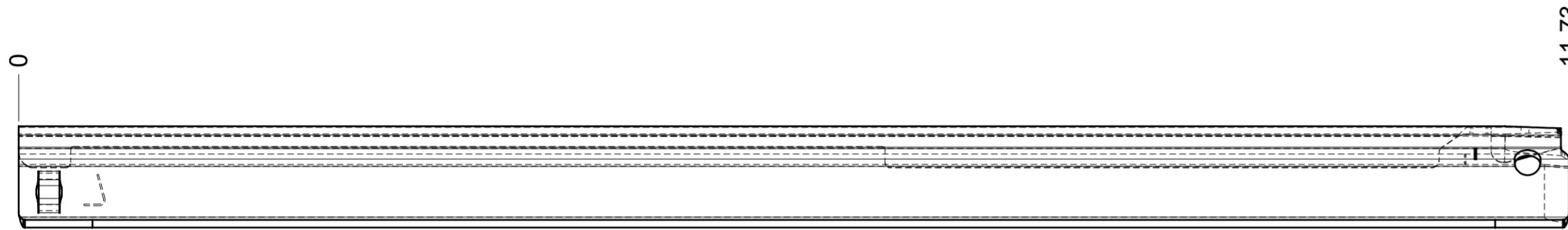
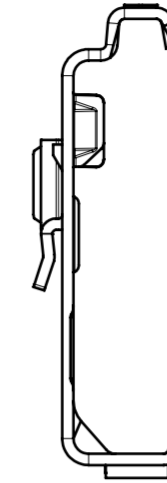
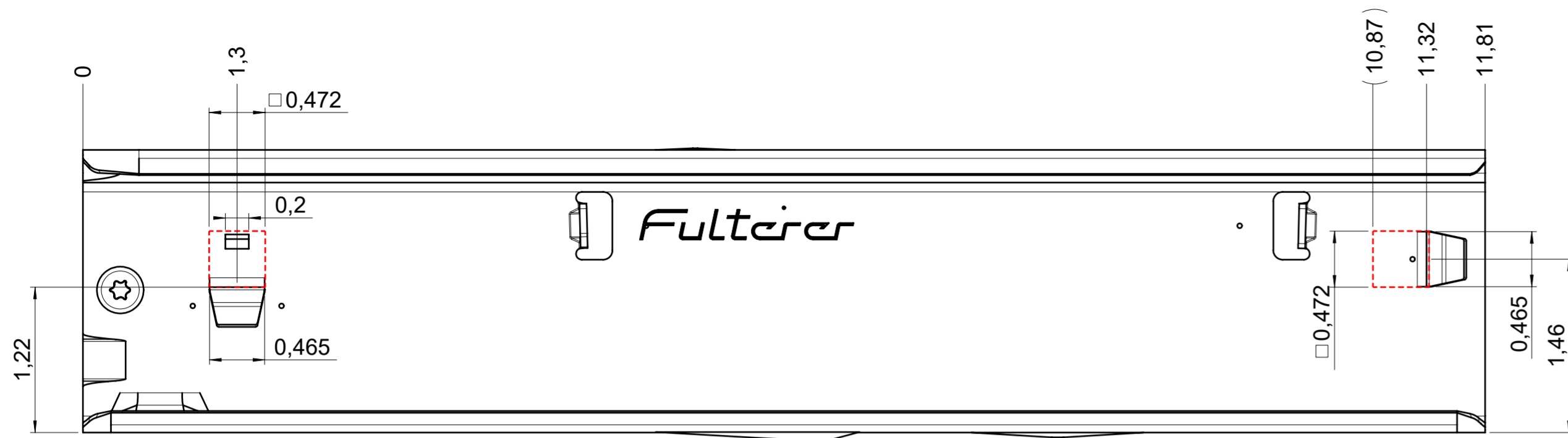


drawn on the left (mirrored on the right)



final approval	customer name:
	signed by:
	date:

all dimensions in inch					
missing dimensions see 3D = theor. intersection	DIN ISO 128-30	scale: 1:1	surface/color:	material: CS	(technical requirements Fulterer)
prototype approval		drawn	date	name	description: FR 796-300 CS EN (inch) progressive-action full-extension drawerslide / bottom mount
		2024-01-16	RK	RK	
		proven	2024-01-16	RK	drawing number: CS# 796.300-GA.L526
		Fulterer Fulterer AG & Co KG A-6890 Lustenau Fulterer AG CH-9430 St. Margrethen			replaces the edition:
ind. changes	date	name			