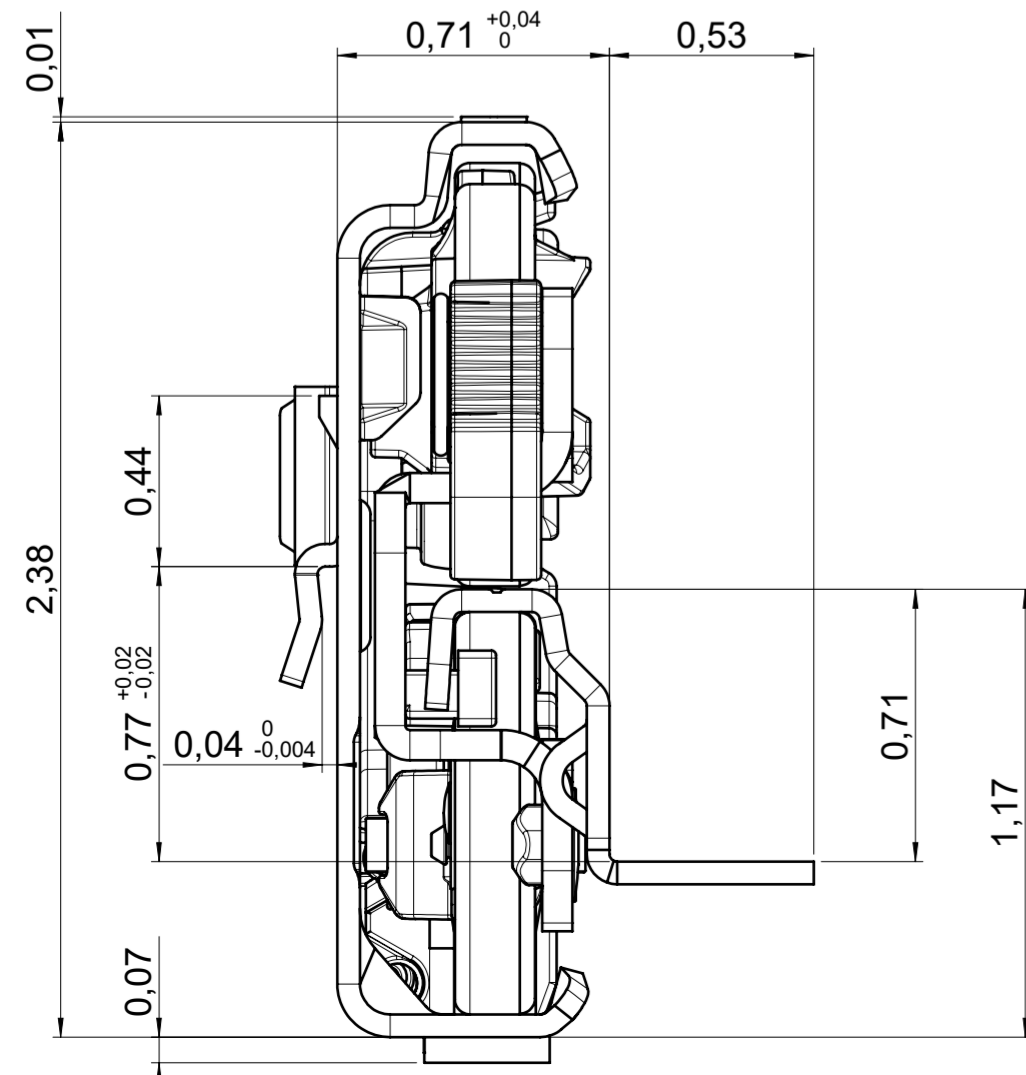
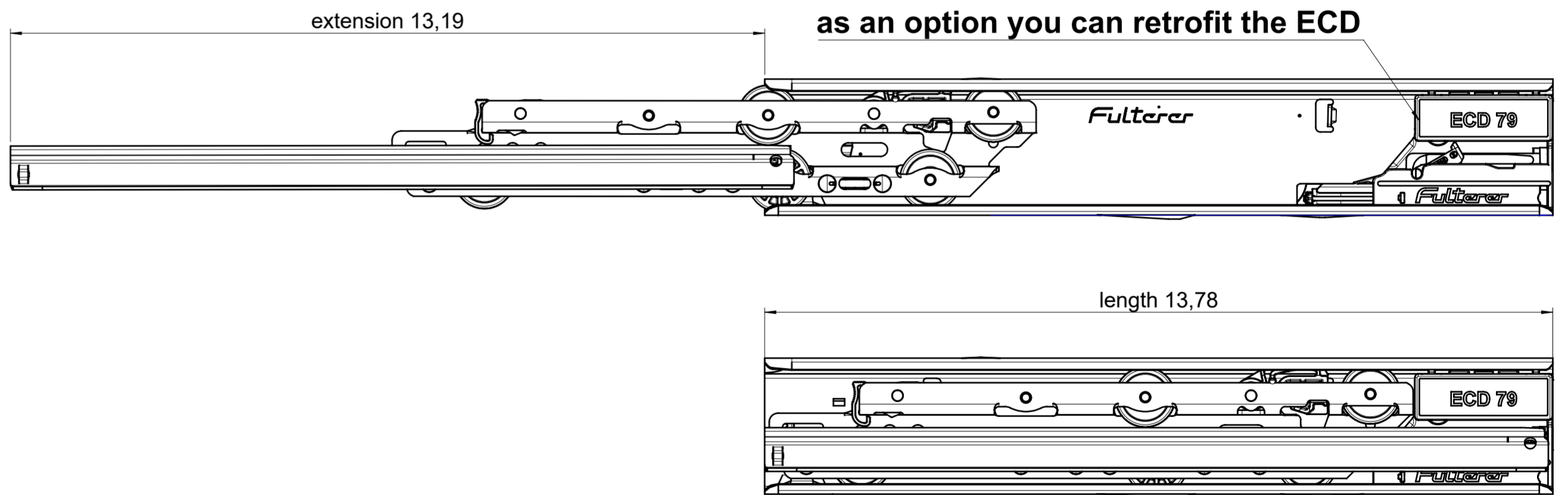
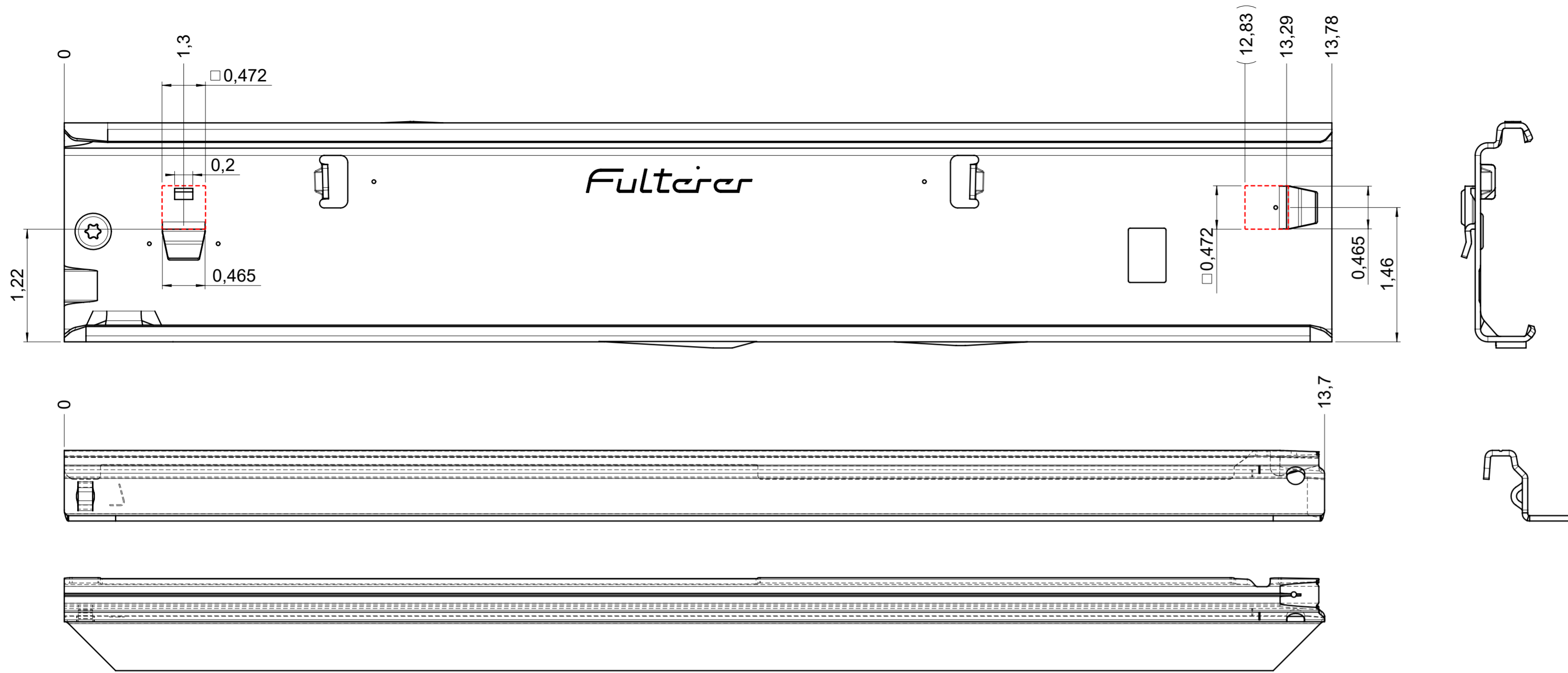


drawn on the left (mirrored on the right)



final approval

customer name:

signed by:

date:

all dimensions in inch			
missing dimensions see 3D ∅ = theor. intersection	DIN ISO 128-30	scale: 1:1	surface/color: material: (technical requirements Fulterer) CS
prototype approval	drawn	date	description: FR 796-350 CS EN (inch) progressive-action full-extension drawerslide / bottom mount
	proven		
ind. changes			drawing number: CS# 796.350-GA.L526
	date	name	
<small>This drawing remains our property and may not be multiplied neither be disclosed to third parties (§§1.3 and 5 from the copyright Act (UrhG)).</small>			<small>covered according to DIN ISO 16016</small>