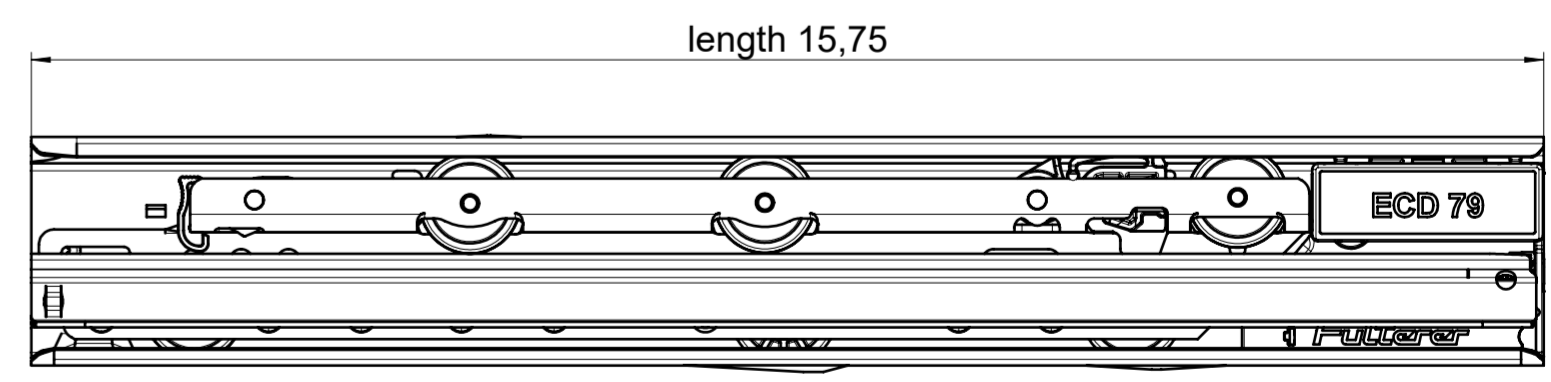
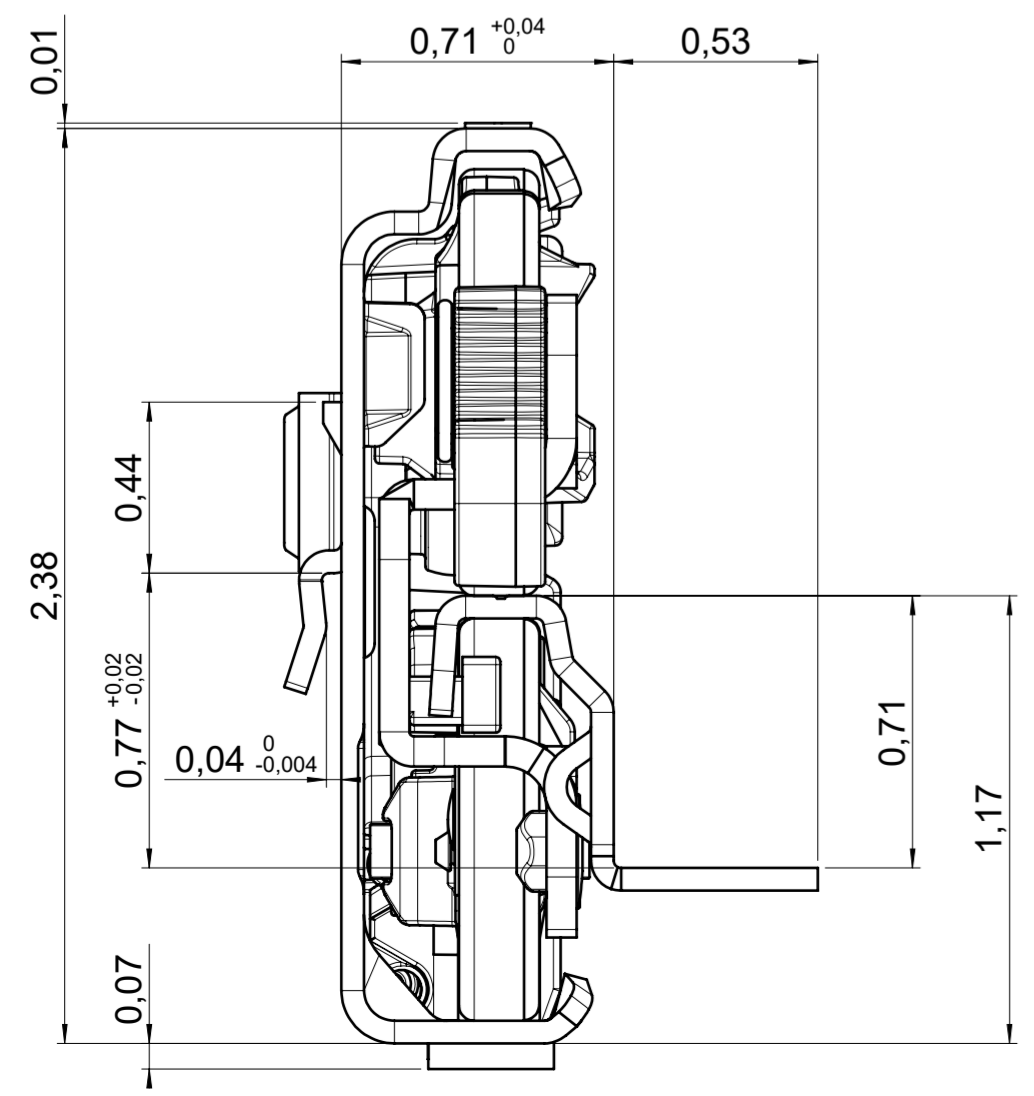
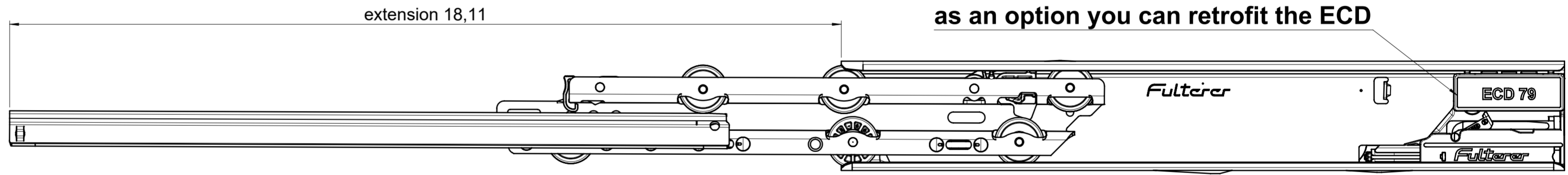
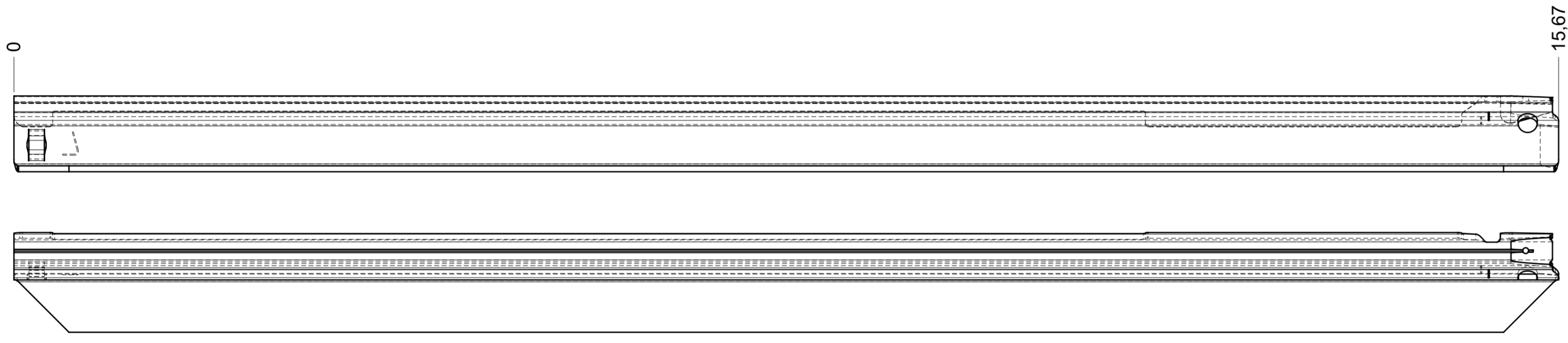
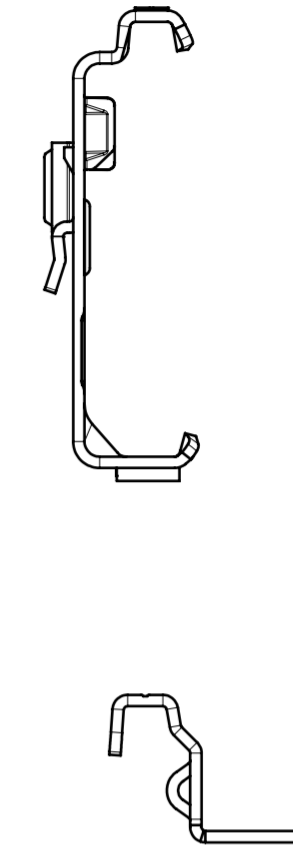
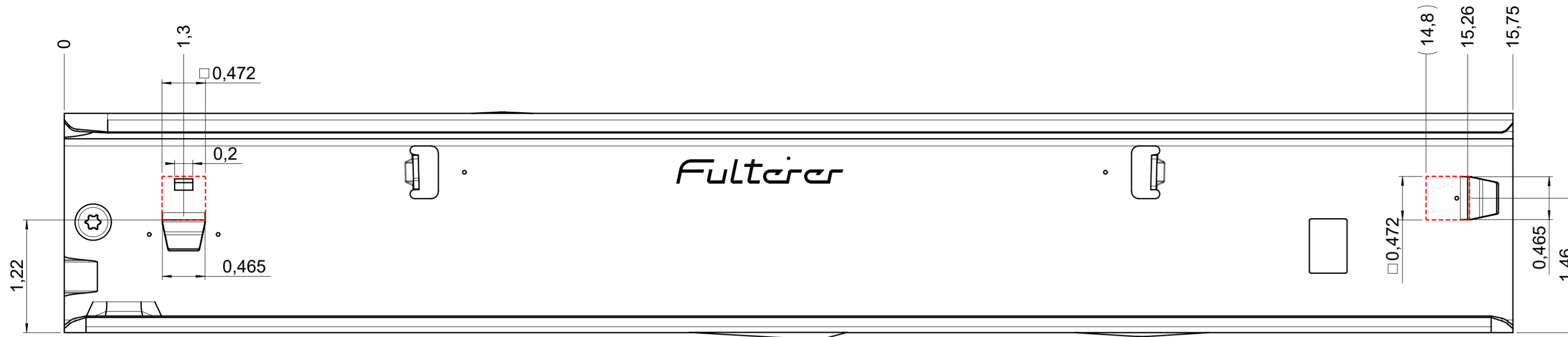


drawn on the left (mirrored on the right)



final approval

customer name:

signed by:

date:

all dimensions in inch			
missing dimensions see 3D ∅ = theor. intersection	scale: 1:1	surface/color:	material: CS (technical requirements Fulterer)
prototype approval	drawn: 2024-01-15 RK	date: 2024-01-15	name: RK
	proven: 2024-01-15 RK		
			description: FR 796-400 CS EN (inch) progressive-action over-extension drawerslide / bottom mount
Fulterer AG & Co KG A-6890 Lustenau Fulterer AG CH-9430 St. Margrethen			drawing number: CS# 796.400-GA.L525
ind. changes			replaces the edition:
This drawing remains our property and may not be multiplied neither be disclosed to third parties (§§1.3 and 5 from the copyright Act (UrH.G)).			covered according to DIN ISO 16016