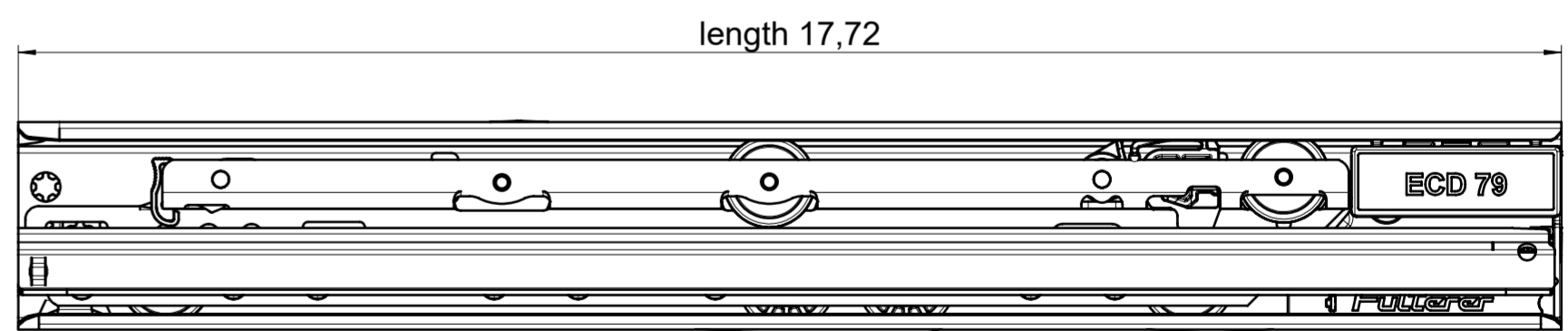
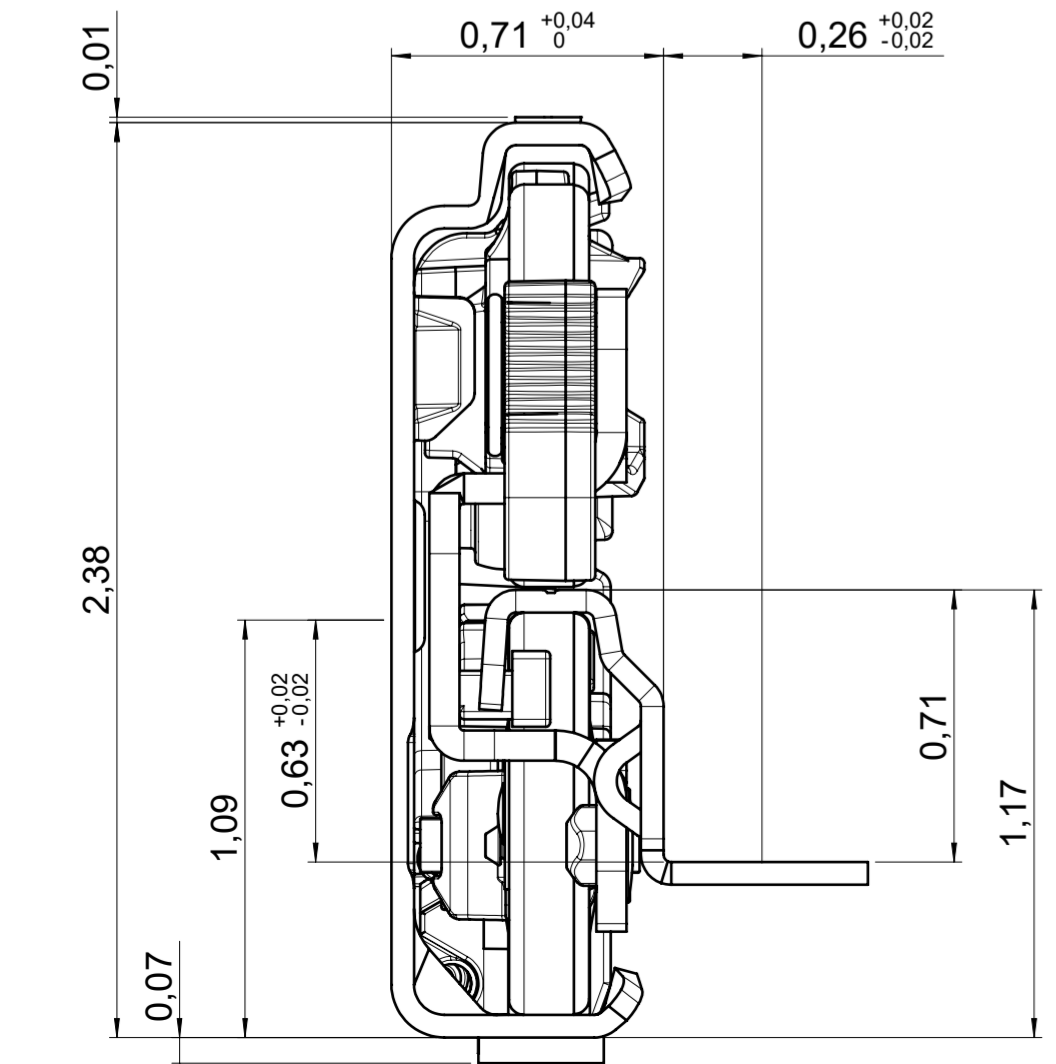
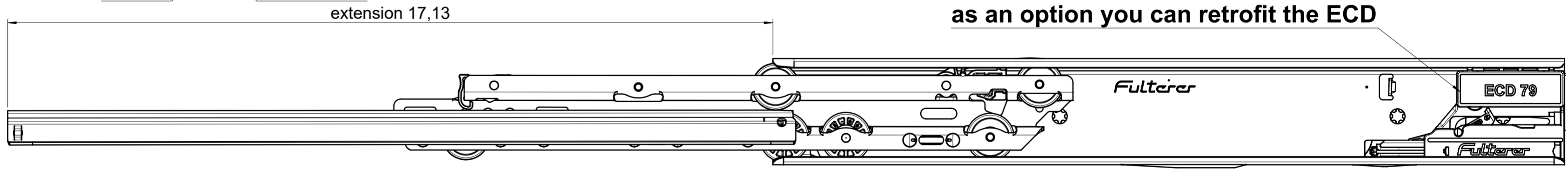
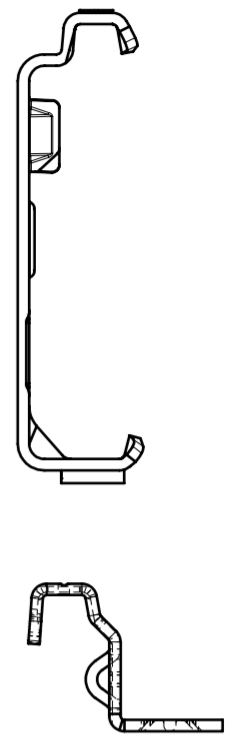
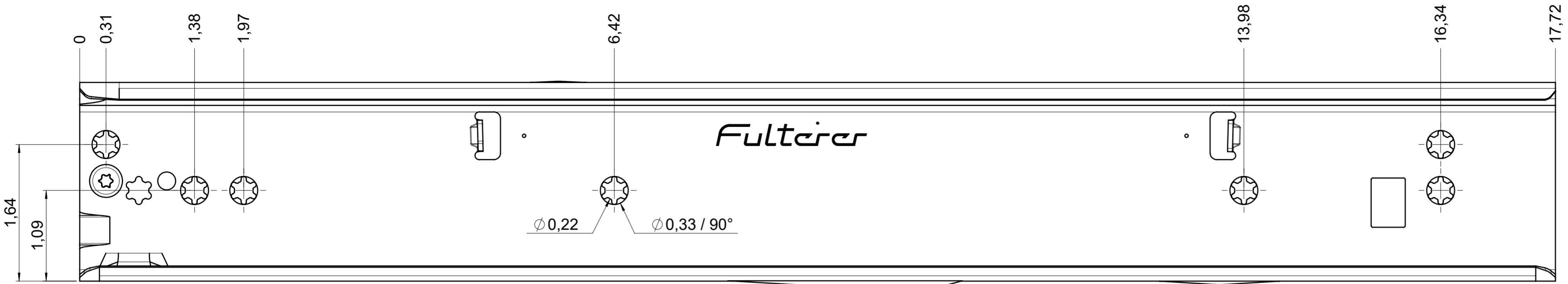


drawn on the left (mirrored on the right)



**final approval**

customer name:

signed by:

date:

| all dimensions in inch  |               |                |   |
|---|---------------|----------------|---|
| missing dimensions see 3D<br>= theor. intersection  | scale:<br>1:1 | surface/color: | material:<br>CS (technical requirements Fulterer)   |
| <b>prototype approval</b>   | drawn         | date           | description:<br><b>FR 796-450 CS EN (inch)</b><br>progressive-action full-extension<br>drawerslide / bottom mount |
|   | proven        | name           |   |
|   |               |                | drawing number:<br><b>CS# 796.450-GA.0000</b>   |
| ind. changes  | date          | name           | replaces the edition:   |
| <small>Fulterer AG &amp; Co KG<br/>A-6890 Lustenau<br/>Fulterer AG<br/>CH-9430 St. Margrethen</small> |               |                | covered according to DIN ISO 16016  |