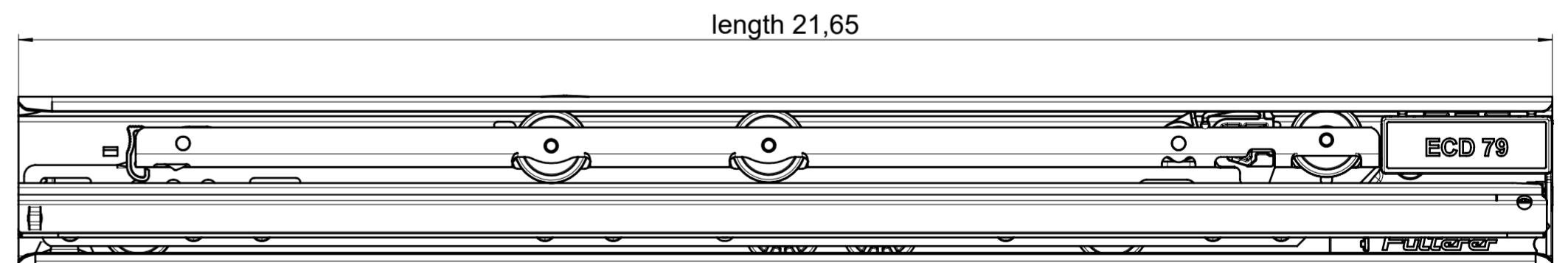
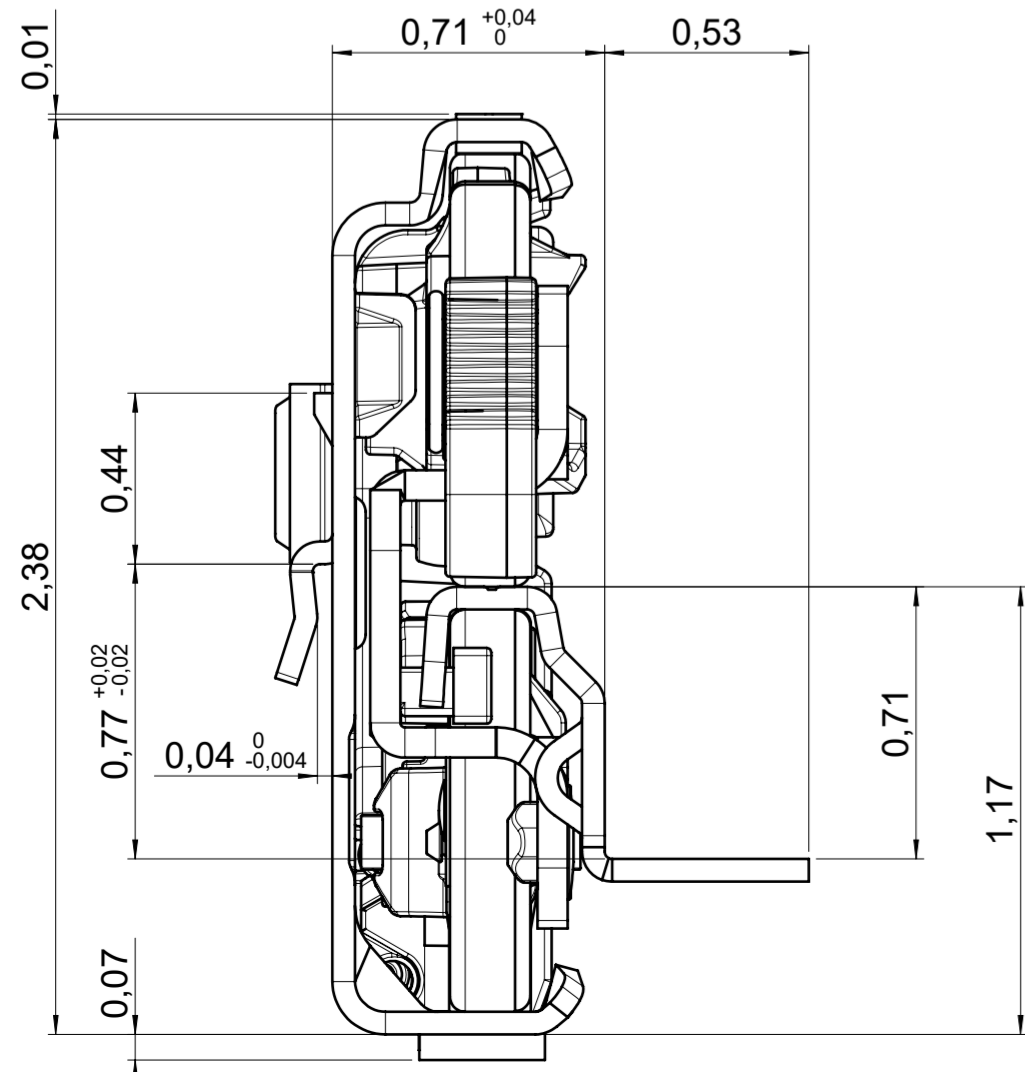
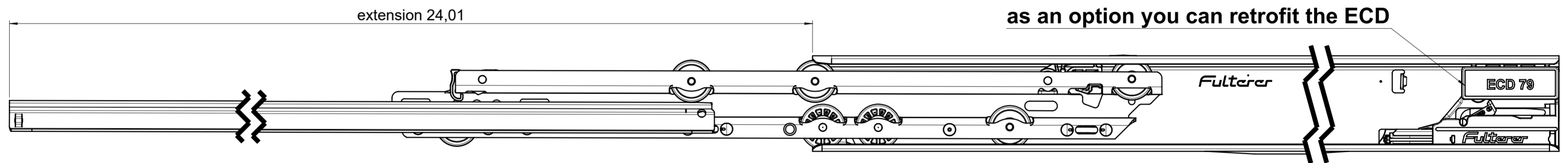
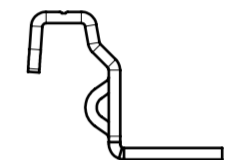
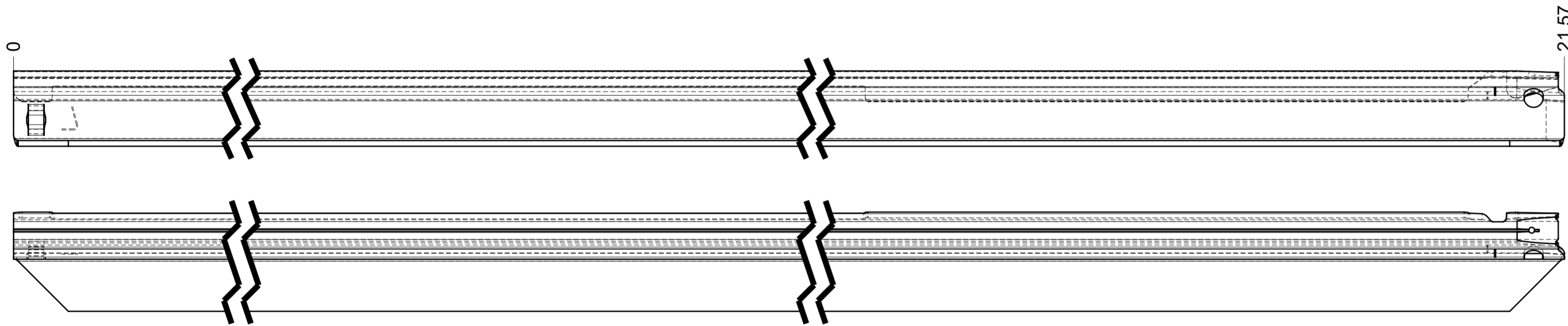
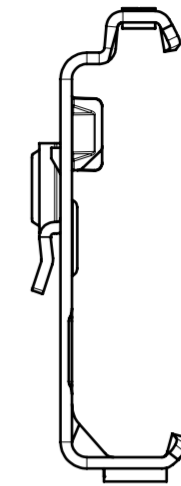
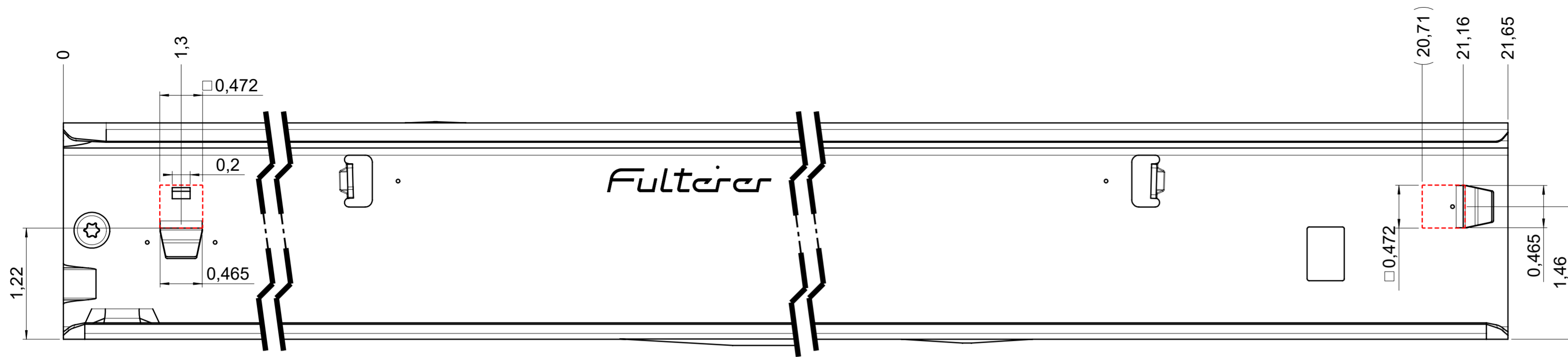


drawn on the left (mirrored on the right)



**final approval**

customer name:

signed by:

date:

all dimensions in inch					
missing dimensions see 3D = theor. intersection	scale: 1:1	surface/color:	material: CS (technical requirements Fulterer)		
<b>prototype approval</b>	drawn: 2024-01-15 RK	date:	description: FR 796-550 CS EN (inch)		
	proven: 2024-01-15 RK		progressive-action over-extension drawerslide / bottom mount		
	Fulterer AG & Co KG A-6890 Lustenau		drawing number: CS# 796.550-GA.L525		
	Fulterer AG CH-9430 St. Margrethen		replaces the edition:		
ind. changes	date	name			