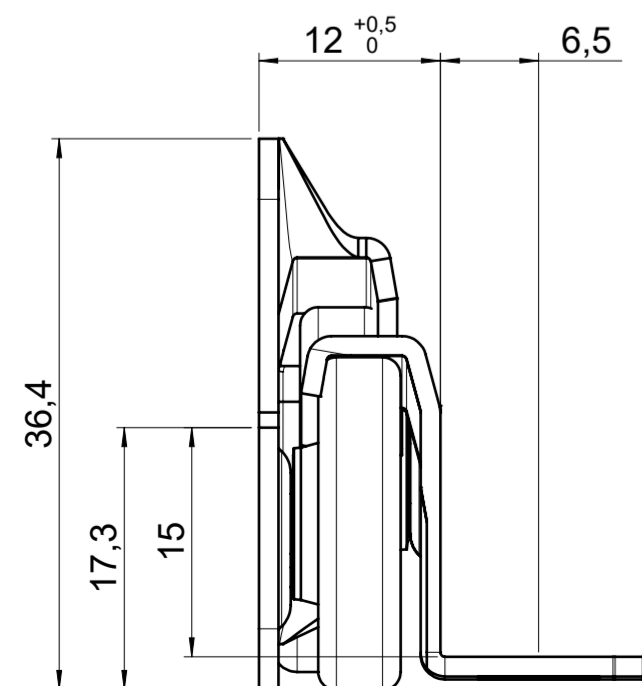
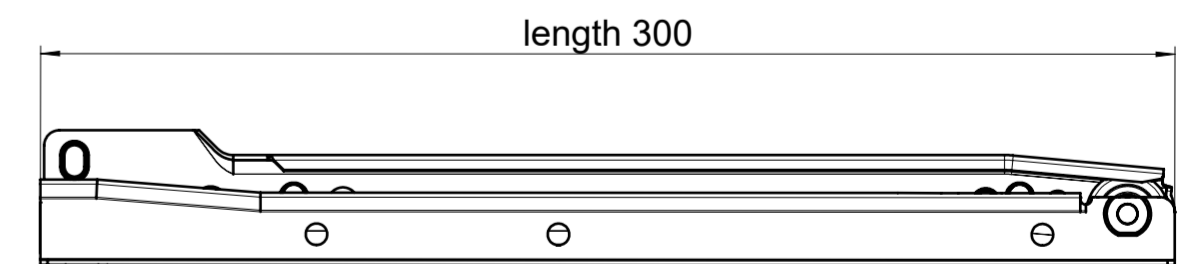
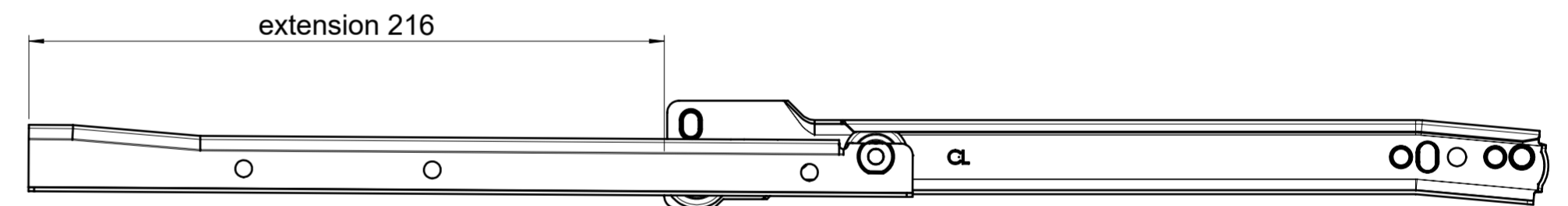
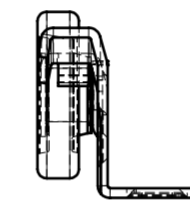
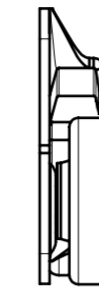
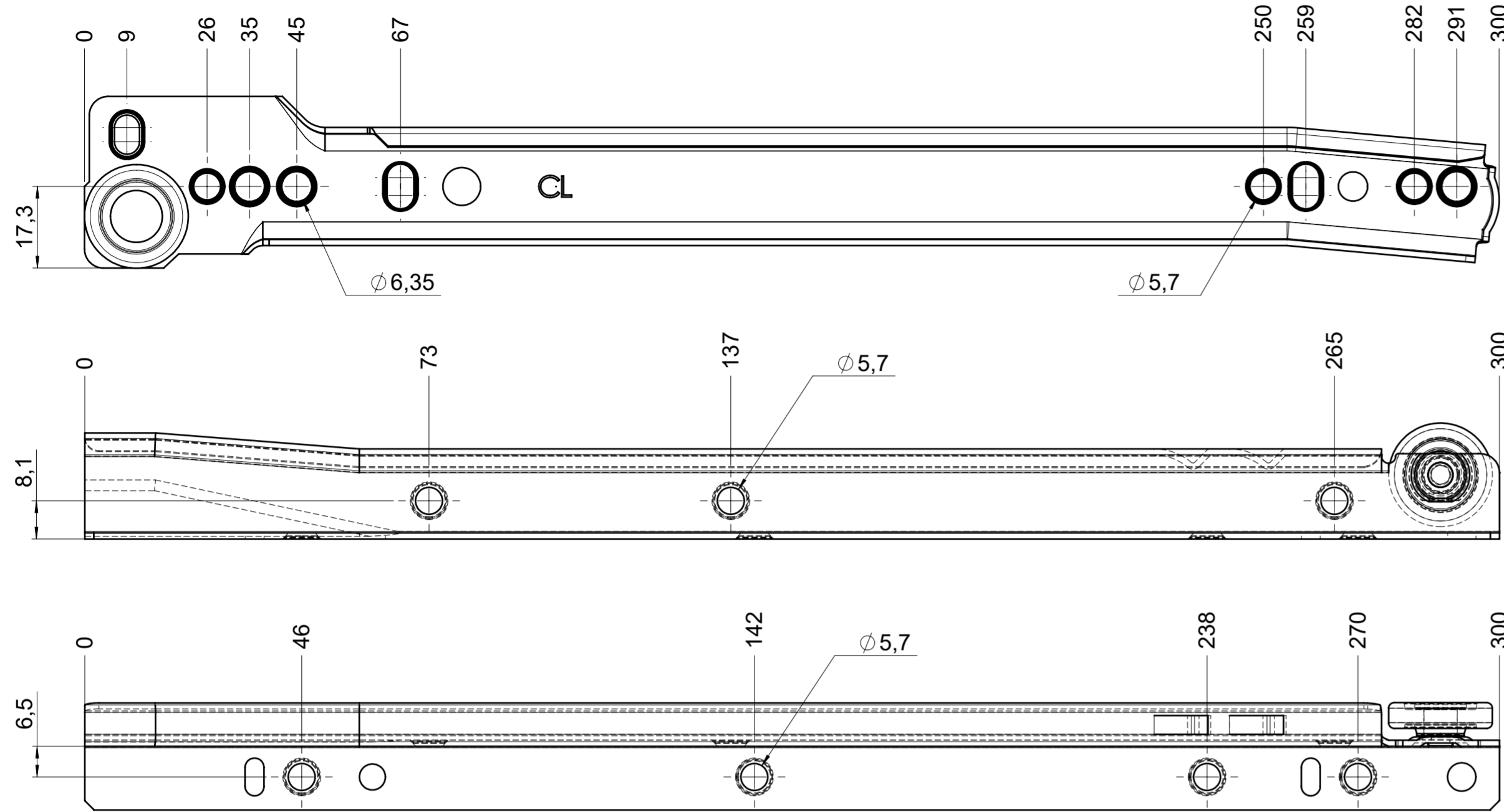


drawn left

dimensions without coating / maximum coating allowed 0.1mm



final approval

customer name:

signed by:

date:

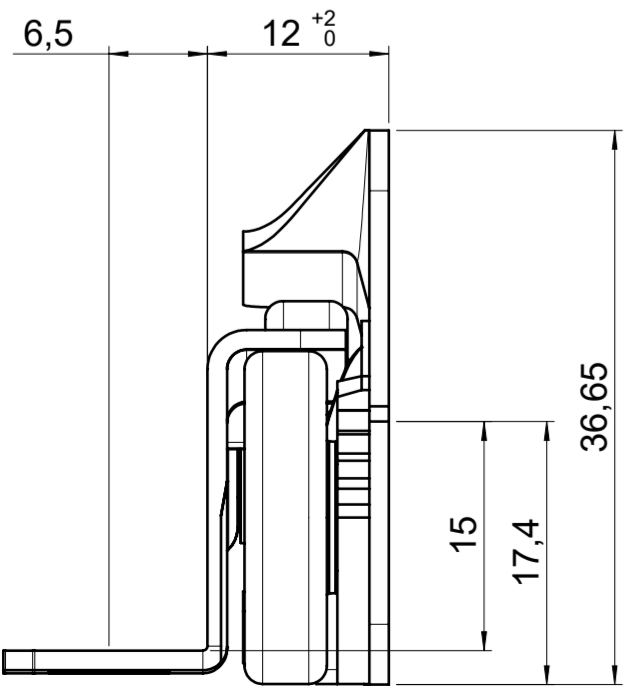
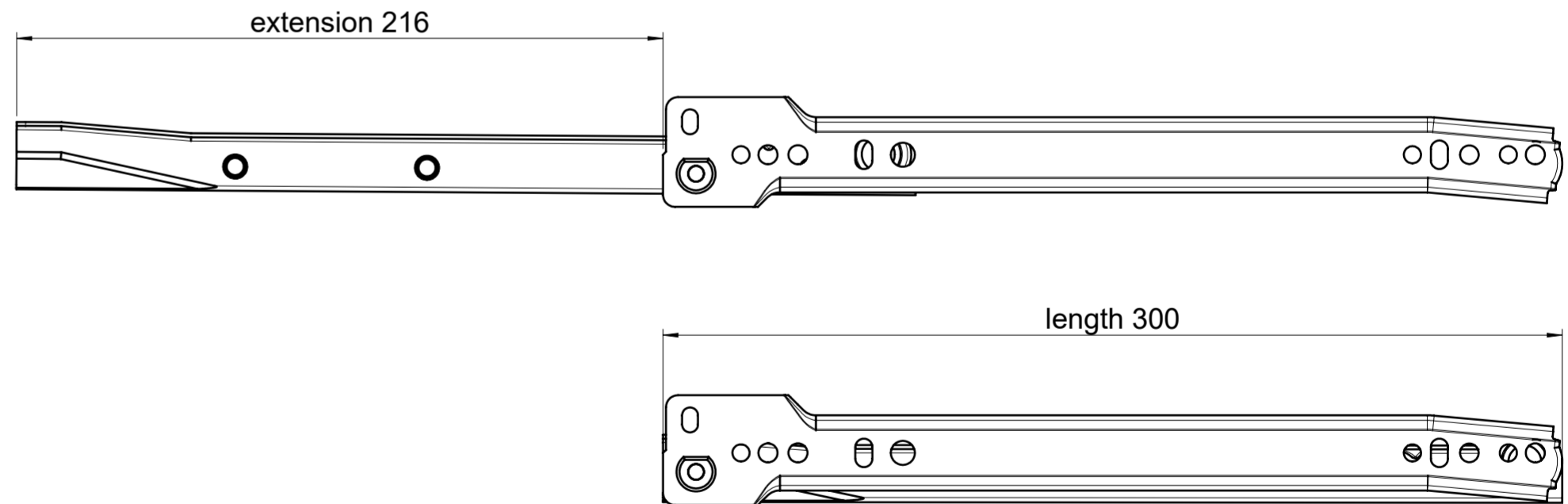
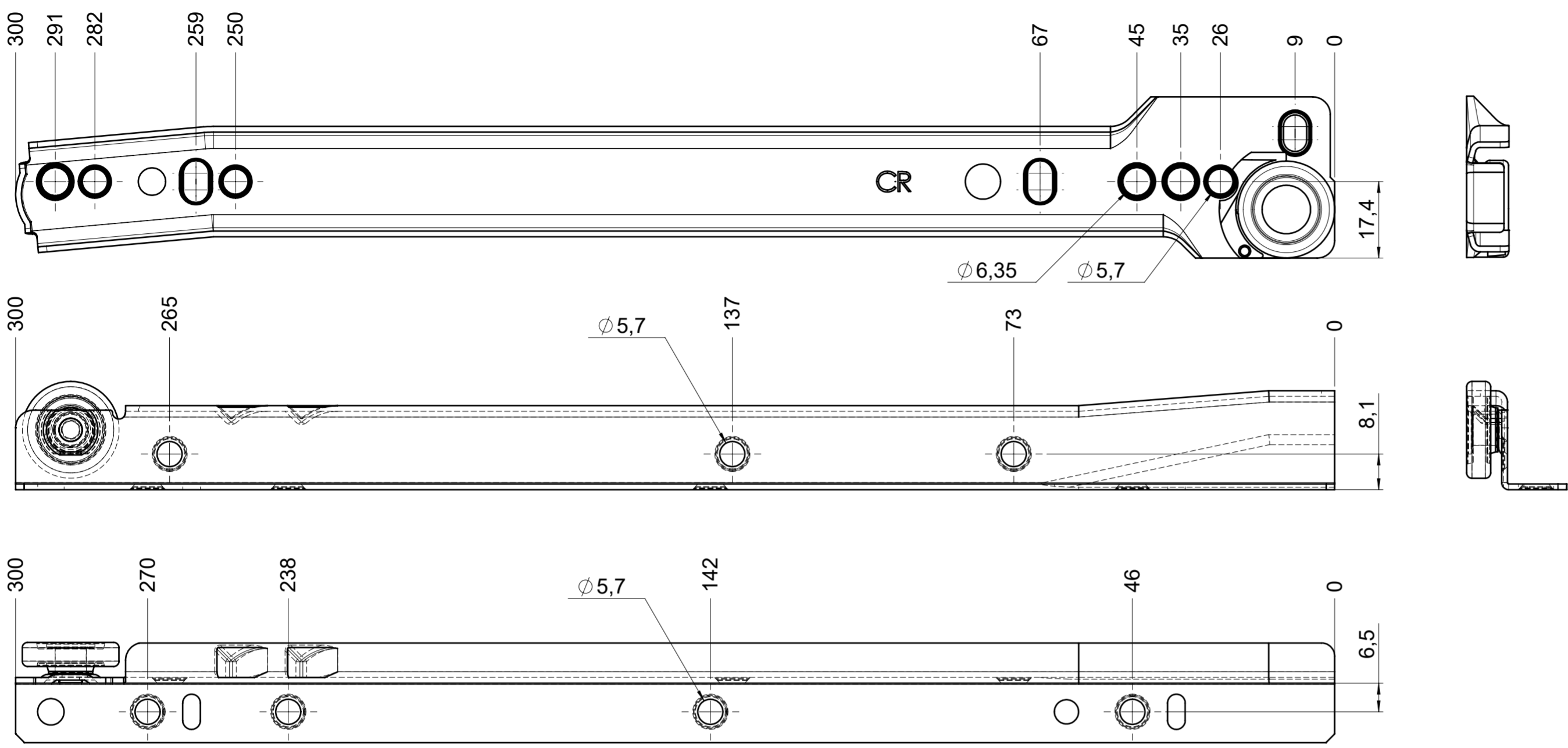
all dimensions in mm

DIN ISO 128-30
missing dimensions see 3D
 = theor. intersection

This drawing remains our property and may not be multiplied neither be disclosed to third parties (§§1,3 and 5 from the copyright Act (UrhG)) covered according to DIN ISO 16016				scale:	surface:	material, semi finished parts:	A2
(k)				1:1		STEEL	
(l)						(technical requirements Fulterer)	
(i)				date	name	description: FR 2021 / 30 EN (mm) regular-extension drawerside / bottom mount	drawing number: 2021.300-GA.0000.li replaces version date:
(h)			drawn 12-12-2022	pr			
(g)			proven 02-01-2023	pr			
(f)				Fulterer			
(e)				Fulterer AG & Co KG			
(d)				A-6890 Lustenau / Austria			
(c)				Fulterer AG			
(b)				CH-9430 St. Margrethen			
(a)				ind.	changes	date	na.

drawn right

dimensions without coating / maximum coating allowed 0.1mm



final approval

customer name:

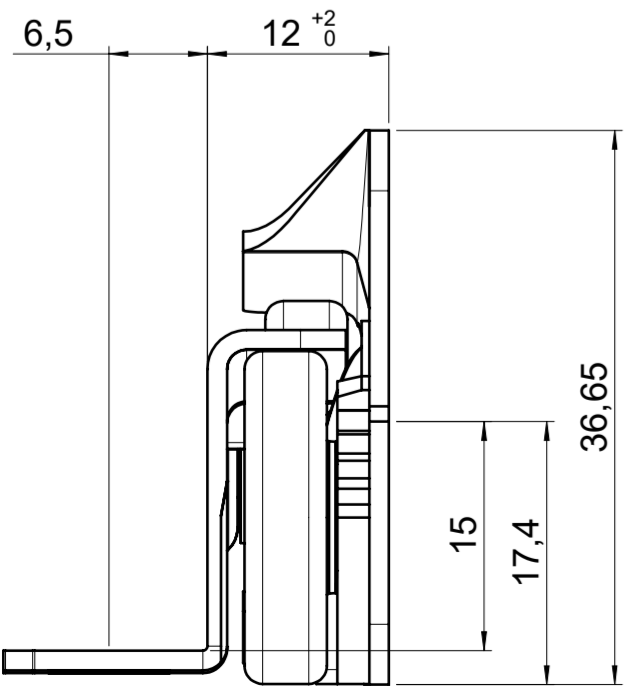
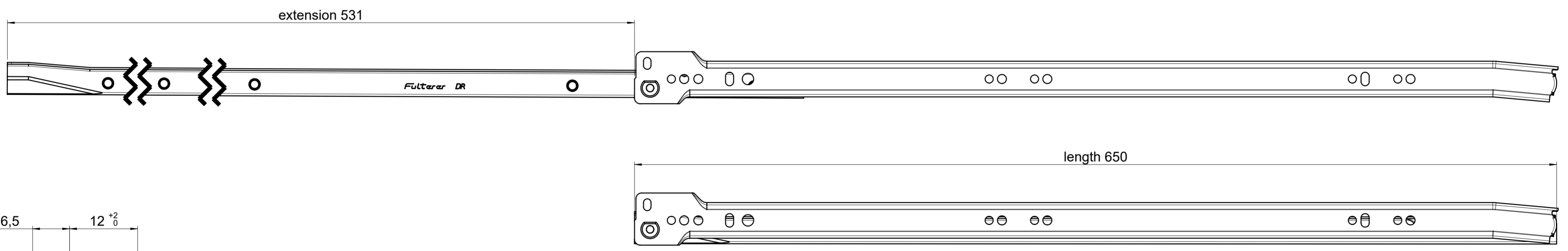
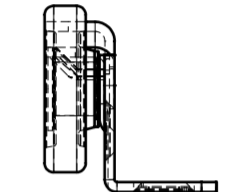
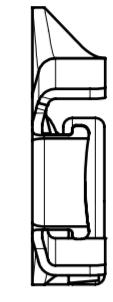
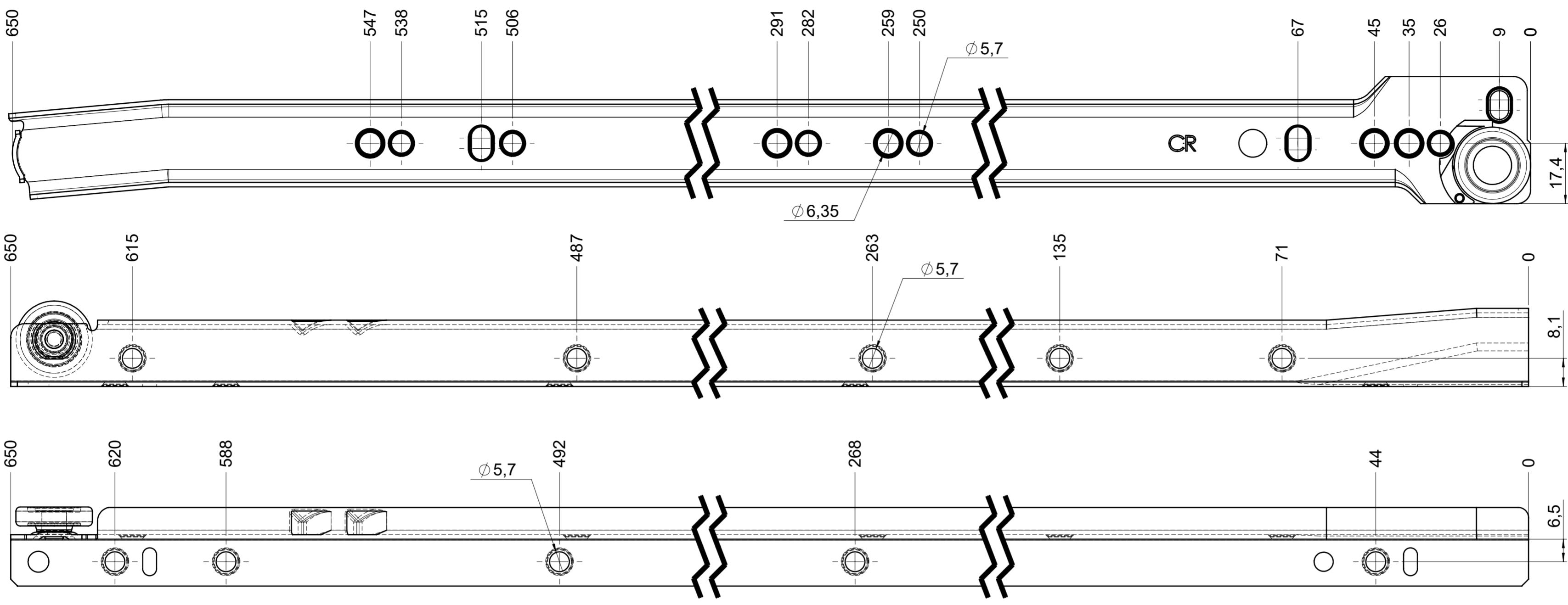
signed by:

date:

all dimensions in mm				DIN ISO 128-30 missing dimensions see 3D = theor. intersection	
This drawing remains our property and may not be multiplied neither be disclosed to third parties (§§1,3 and 5 from the copyright Act (UrhG)) covered according to DIN ISO 16016					
scale: 1:1		surface:		material, semi finished parts: STEEL (technical requirements Fulterer)	
drawn 12-12-2022		date 12-12-2022		name pr	
proven 02-01-2023		date 02-01-2023		name pr	
				description: FR 2021 / 30 EN (mm) regular-extension drawerside / bottom mount	
Fulterer AG & Co KG A-6890 Lustenau / Austria Fulterer AG CH-9430 St. Margrethen				drawing number: 2021.300-GA.0000.re	
ind. changes				date na.	
replaces version date:					

drawn right

dimension without coating / maximum coating allowed 0.1mm



final approval

customer name:

signed by:

date:

all dimensions in mm				DIN ISO 128-30 missing dimensions see 3D = theor. intersection	
This drawing remains our property and may not be multiplied neither be disclosed to third parties (§§1,3 and 5 from the copyright Act (UrhG)) covered according to DIN ISO 16016					
scale: 1:1		surface:		material, semi finished parts: STEEL (technical requirements Fulterer)	
drawn 12-12-2022		date 12-12-2022		name pr	
proven 02-01-2023		date 02-01-2023		name pr	
				description: FR 2021 / 65 EN (mm) regular-extension drawerside / bottom mount	
Fulterer AG & Co KG A-6890 Lustenau / Austria Fulterer AG CH-9430 St. Margrethen				drawing number: 2021.650-GA.0000.re	
				replaces version date:	
ind.	changes	date	na.		