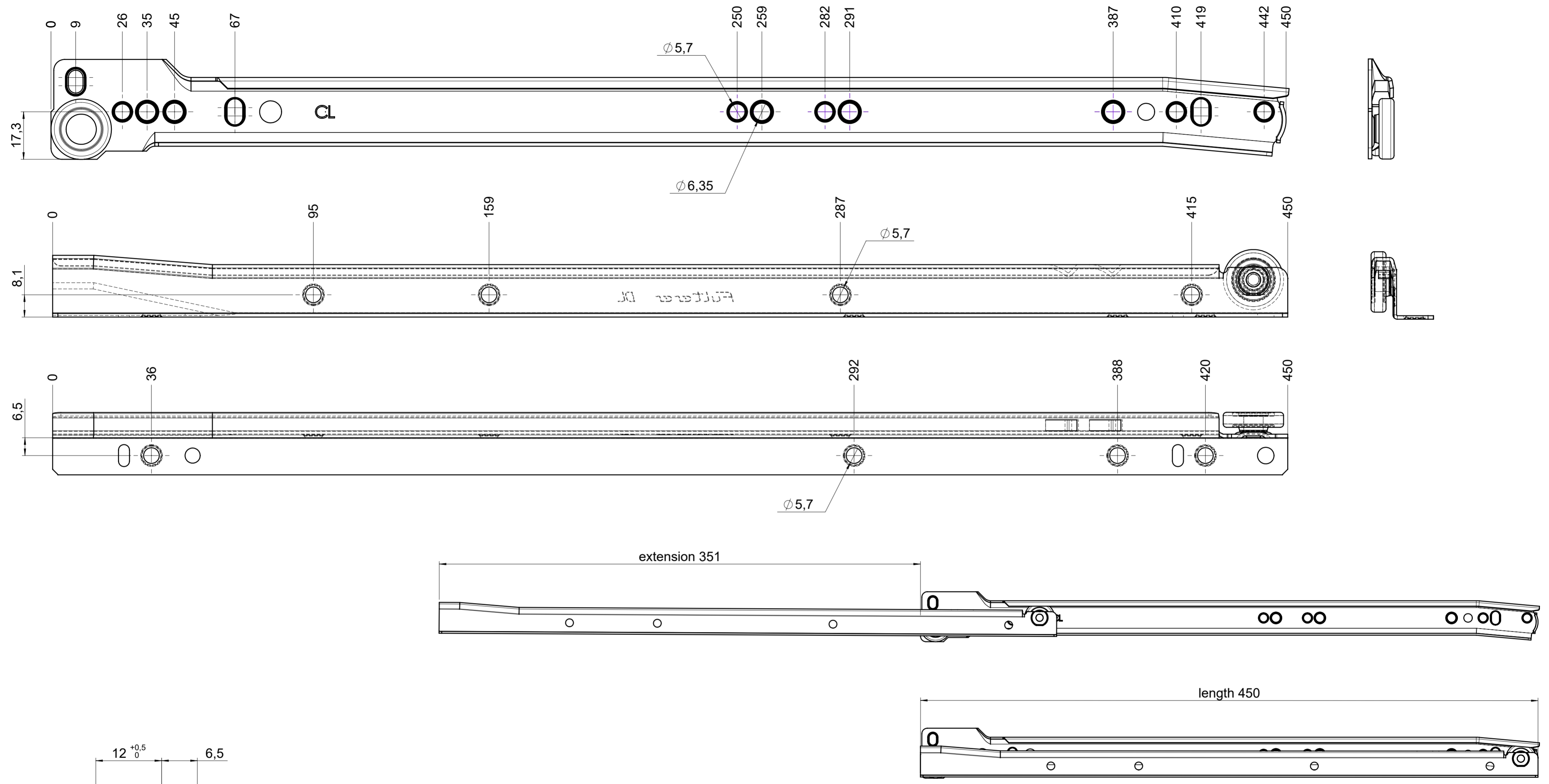


drawn left

dimension without coating / maximum coating allowed 0.1mm



final approval

customer name:

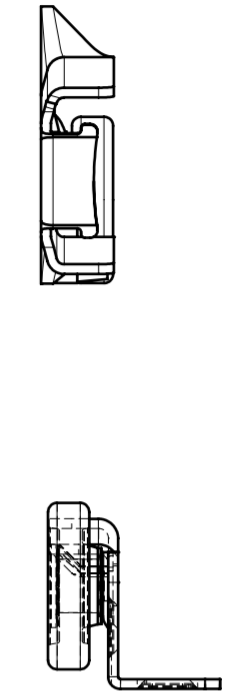
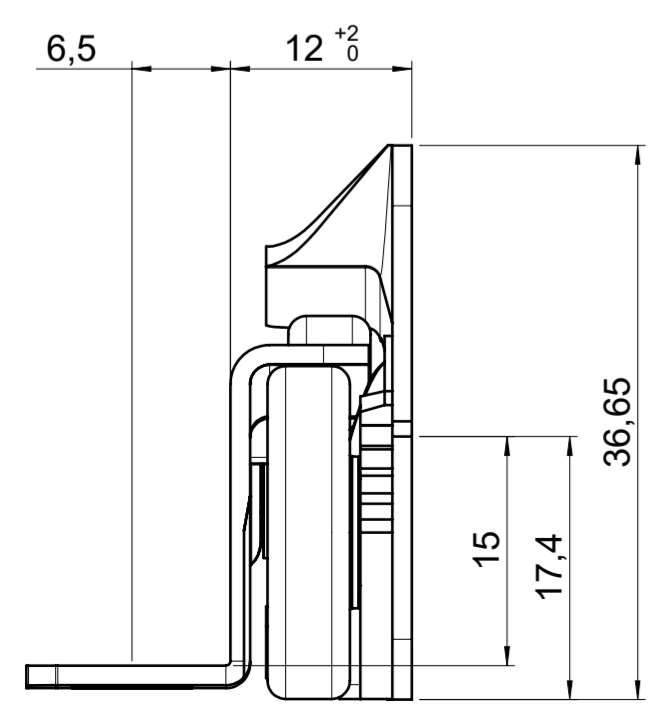
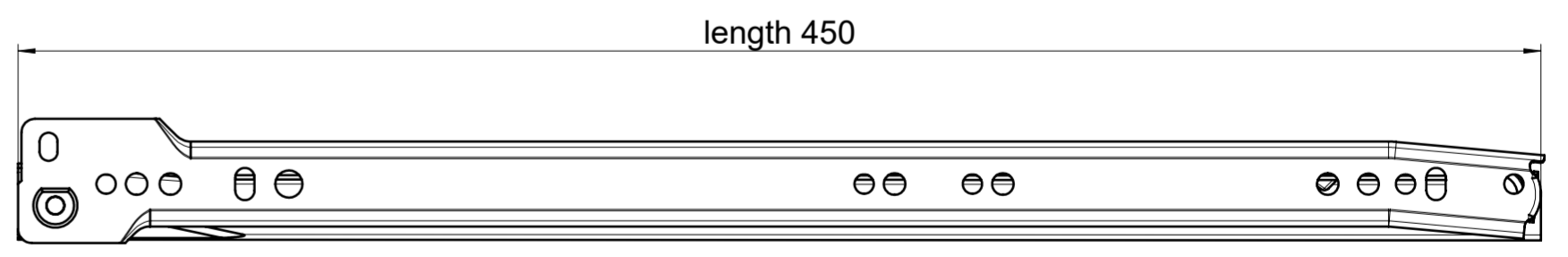
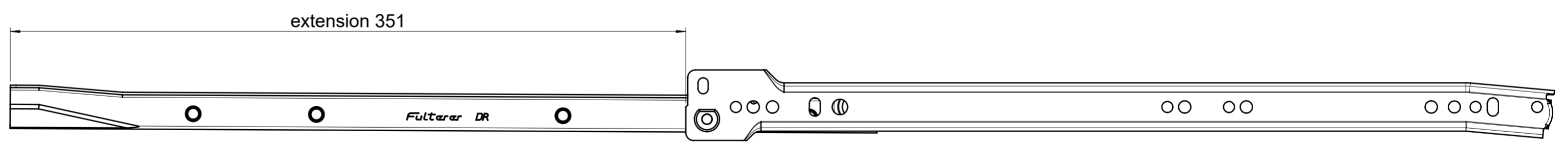
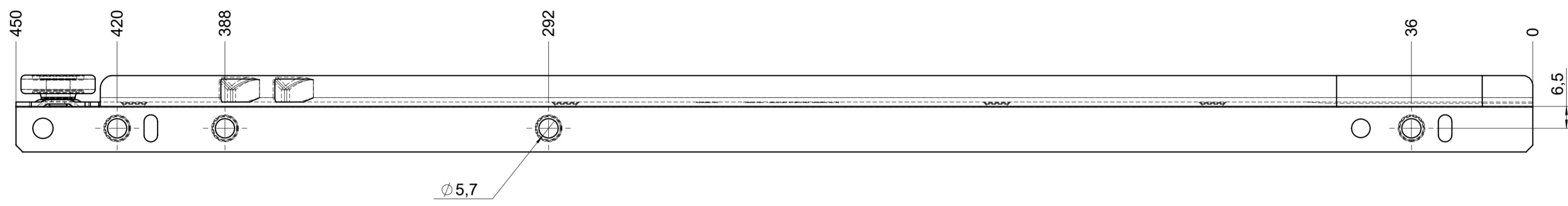
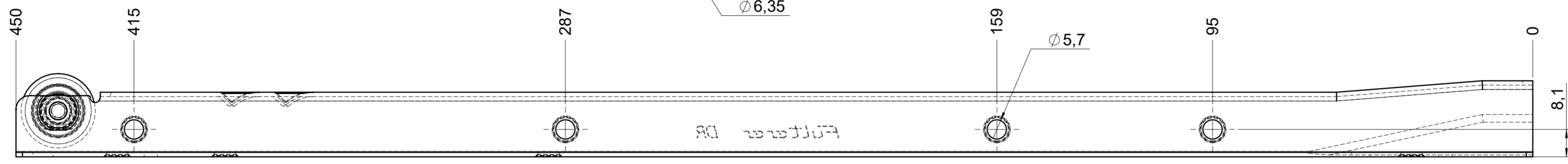
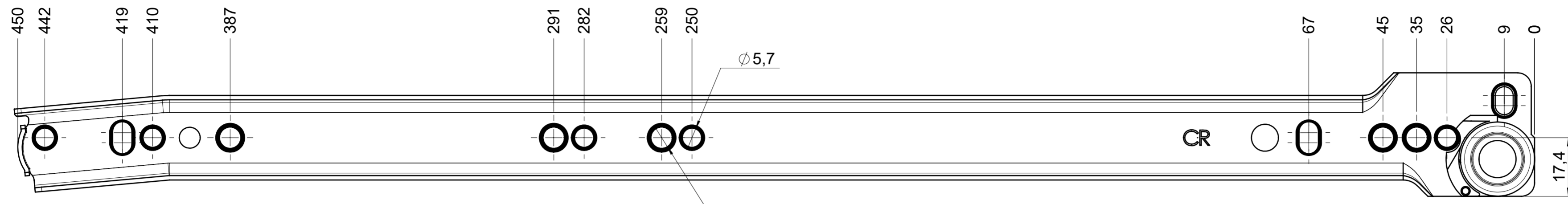
signed by:

date:

| | | | | | |
|--|--|--|--|---|--|
| all dimensions in mm | | | | DIN ISO 128-30 missing dimensions see 3D ⊕ = theor. intersection | |
| This drawing remains our property and may not be multiplied neither be disclosed to third parties (§§1,3 and 5 from the copyright Act (UrhG)) covered according to DIN ISO 16016 | | | | | |
| scale: 1:1 | | surface: | | material, semi finished parts: STEEL (technical requirements Fulterer) | |
| drawn 12-12-2022 | | date 02-01-2023 | | description: FR 2021 / 45 EN (mm) regular-extension drawerside / bottom mount | |
| proven 02-01-2023 | | name pr | | drawing number: 2021.450-GA.0000.li | |
| Fulterer | | Fulterer AG & Co KG A-6890 Lustenau / Austria | | replaces version date: | |
| Fulterer AG CH-9430 St. Margrethen | | ind. changes | | date na. | |

drawn right

dimension without coating / maximum coating allowed 0.1mm



final approval

customer name:

signed by:

date:

| | | | | | |
|--|---------|------------|----------|--|---|
| all dimensions in mm | | | | DIN ISO 128-30 missing dimensions see 3D ⊕ = theor. intersection | |
| This drawing remains our property and may not be multiplied neither be disclosed to third parties (§§1,3 and 5 from the copyright Act (UrhG)) covered according to DIN ISO 16016 | | | | | |
| (k) (l) (m) (n) (o) (p) (q) (r) (s) (t) (u) (v) (w) (x) (y) (z) | scale: | 1:1 | surface: | material, semi finished parts: STEEL (technical requirements Fulterer) | |
| | drawn | 12-12-2022 | date | name | description: FR 2021 / 45 EN (mm) regular-extension drawerside / bottom mount |
| | proven | 02-01-2023 | date | name | |
| | | | | | drawing number: 2021.450-GA.0000.re |
| Fulterer AG & Co KG A-6890 Lustenau / Austria Fulterer AG CH-9430 St. Margrethen | | | | replaces version date: | |
| ind. | changes | date | na. | | |