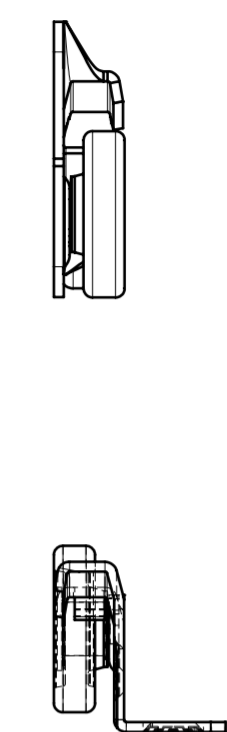
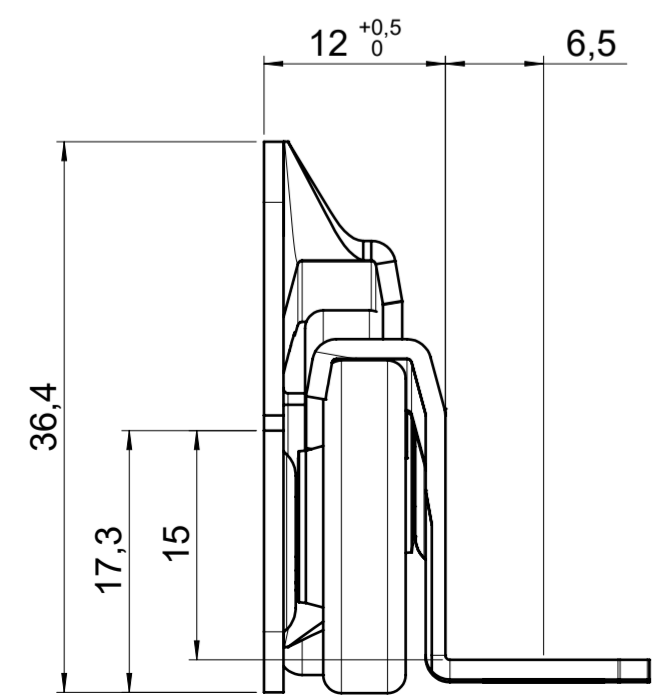
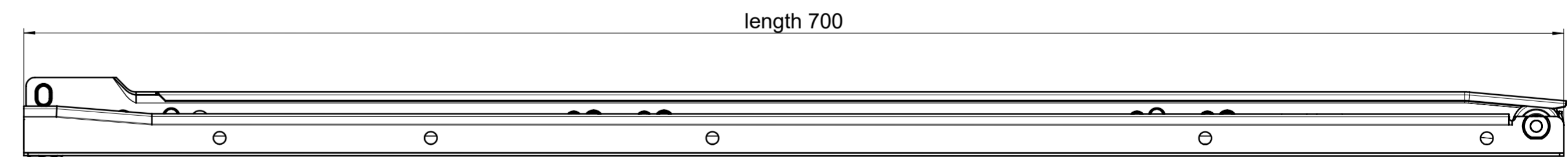
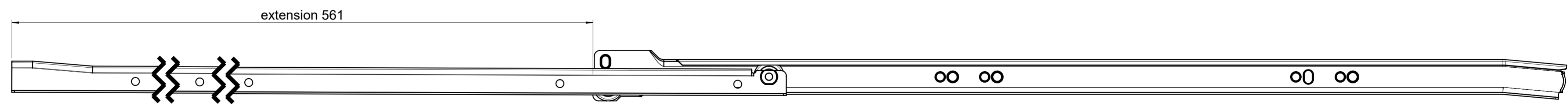
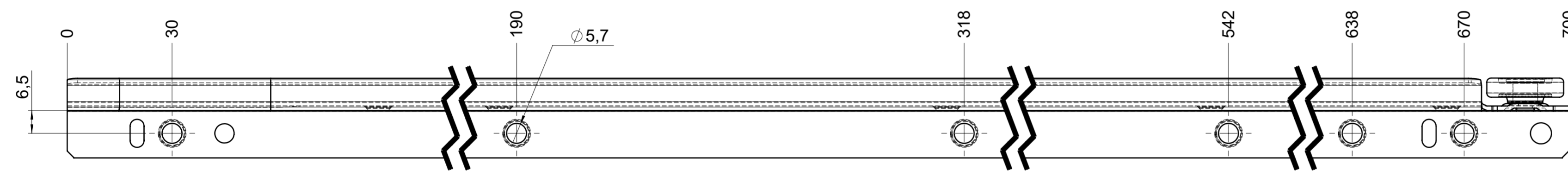
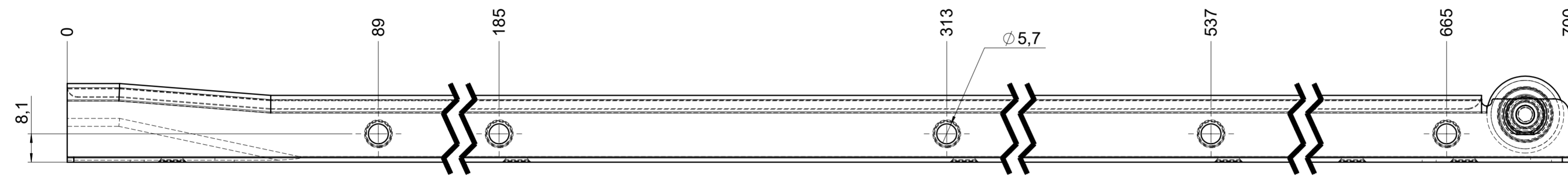
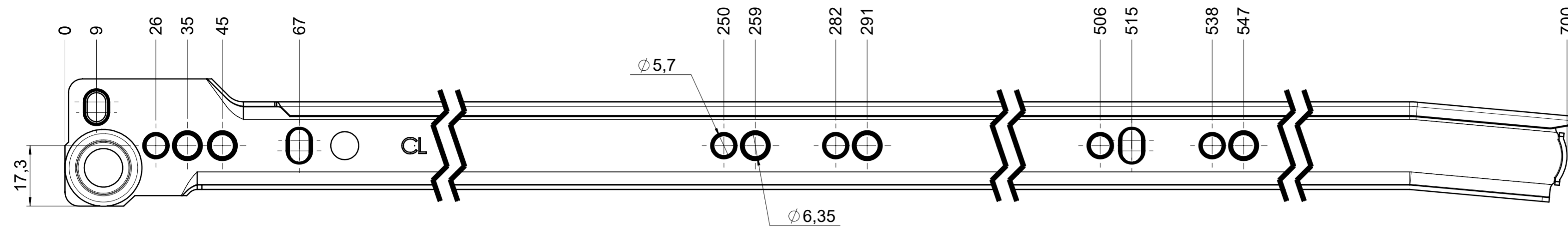


drawn left

dimension without coating / maximum coating allowed 0.1mm



final approval

customer name:

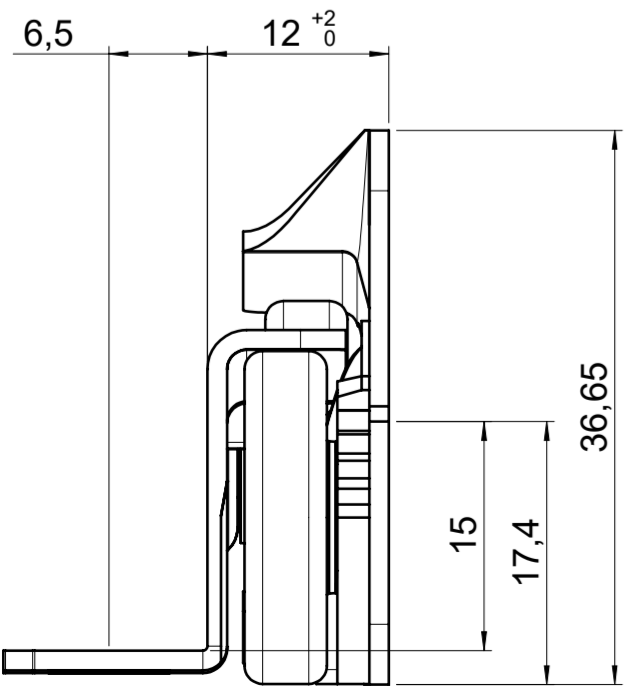
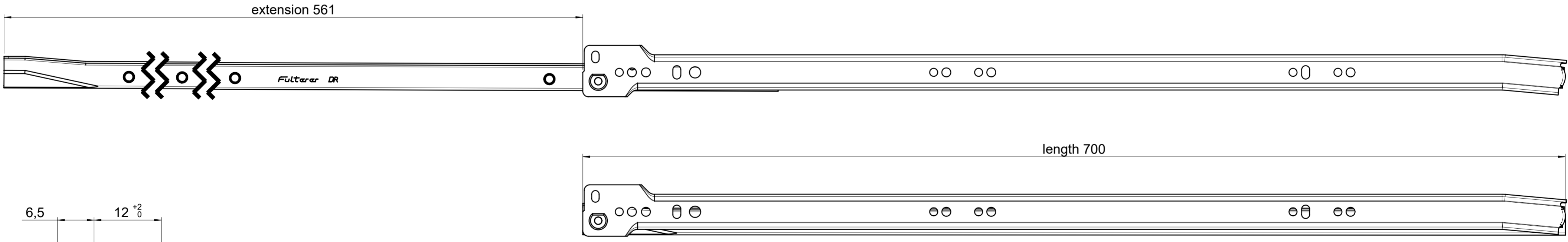
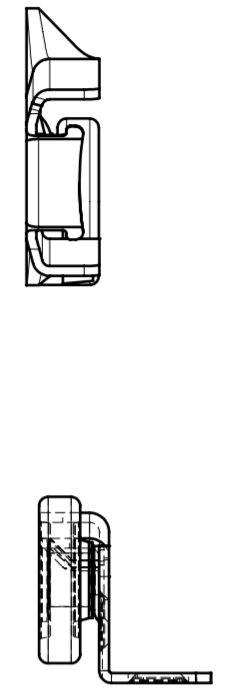
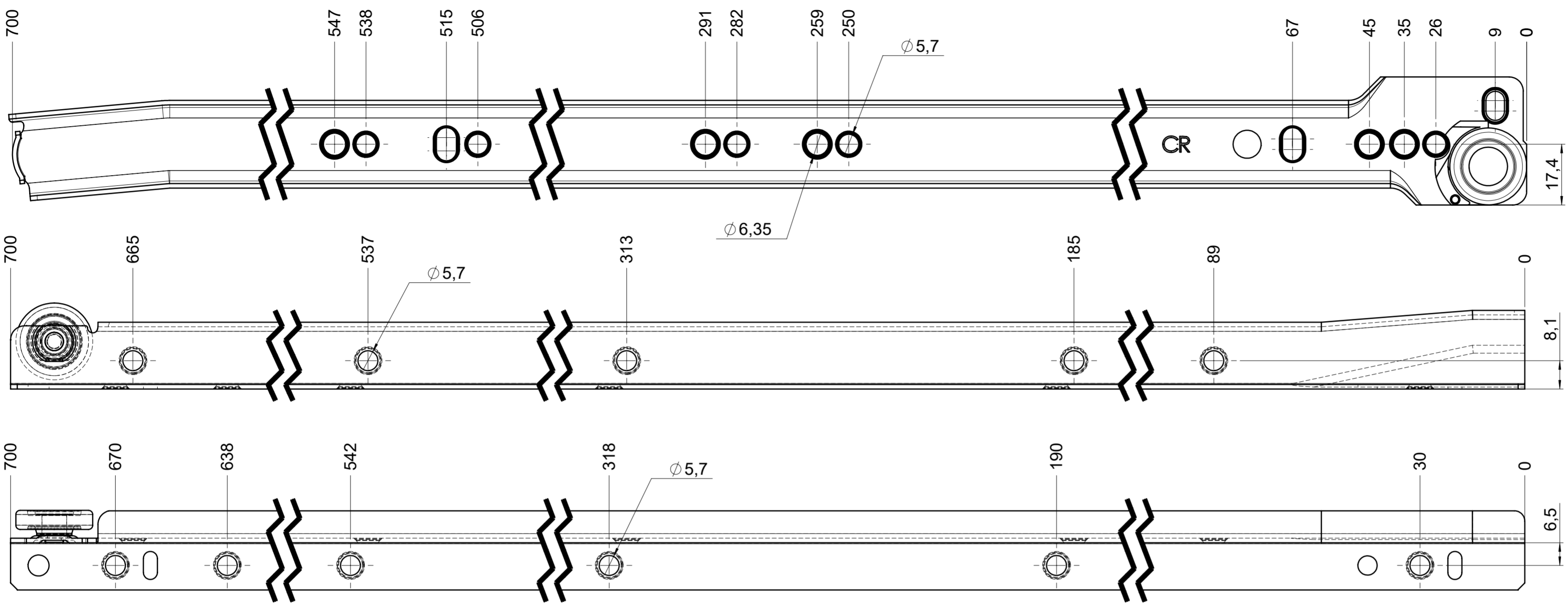
signed by:

date:

all dimensions in mm				DIN ISO 128-30 missing dimensions see 3D ⊕ = theor. intersection	
This drawing remains our property and may not be multiplied neither be disclosed to third parties (§§1,3 and 5 from the copyright Act (UrhG)) covered according to DIN ISO 16016					
scale: 1:1		surface:		material, semi finished parts: STEEL (technical requirements Fulterer)	
drawn 12-12-2022		date 12-12-2022		name pr	
proven 02-01-2023		date 02-01-2023		name pr	
Fulterer				description: FR 2021 / 70 EN (mm) regular-extension drawerside / bottom mount	
Fulterer AG & Co KG A-6890 Lustenau / Austria				drawing number: 2021.700-GA.0000.li	
Fulterer AG CH-9430 St. Margrethen				replaces version date:	
ind.	changes	date	na.		

drawn right

dimension without coating / maximum coating allowed 0.1mm



final approval

customer name:

signed by:

date:

all dimensions in mm				DIN ISO 128-30 missing dimensions see 3D = theor. intersection	
This drawing remains our property and may not be multiplied neither be disclosed to third parties (§§1,3 and 5 from the copyright Act (UrhG)) covered according to DIN ISO 16016					
(k) (l) (m) (n) (o) (p) (q) (r) (s) (t) (u) (v) (w) (x) (y) (z)	scale:	1:1		surface:	material, semi finished parts: STEEL (technical requirements Fulterer)
	drawn	date	name	proven	description:
	12-12-2022	pr	FR 2021 / 70 EN (mm)	02-01-2023	regular-extension drawerside / bottom mount
					drawing number:
Fulterer AG & Co KG A-6890 Lustenau / Austria Fulterer AG CH-9430 St. Margrethen				replaces version date:	
ind.	changes	date	na.		