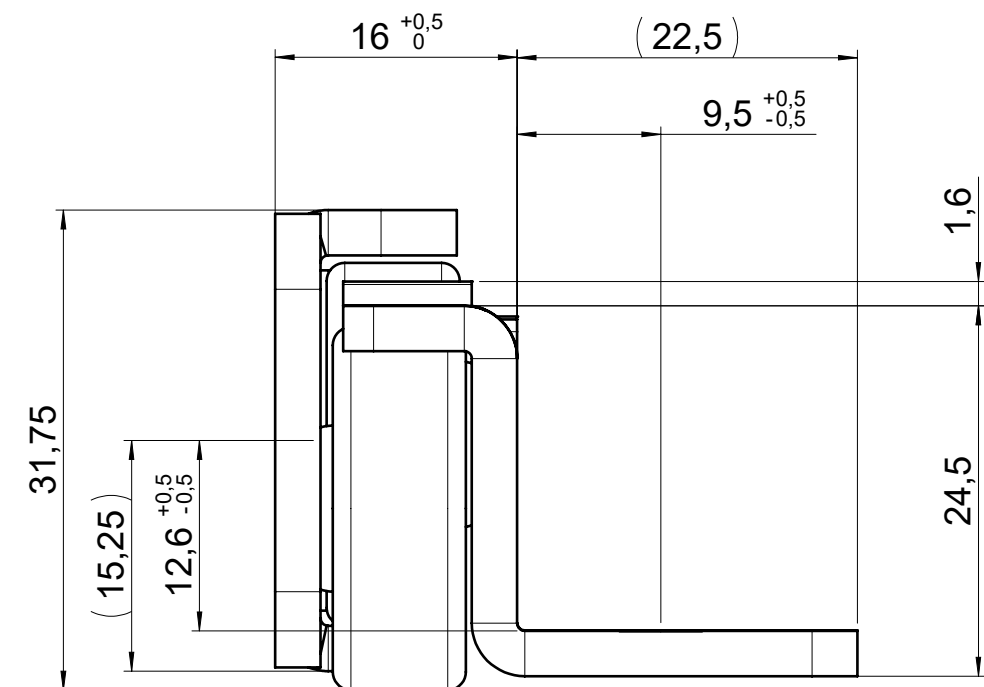
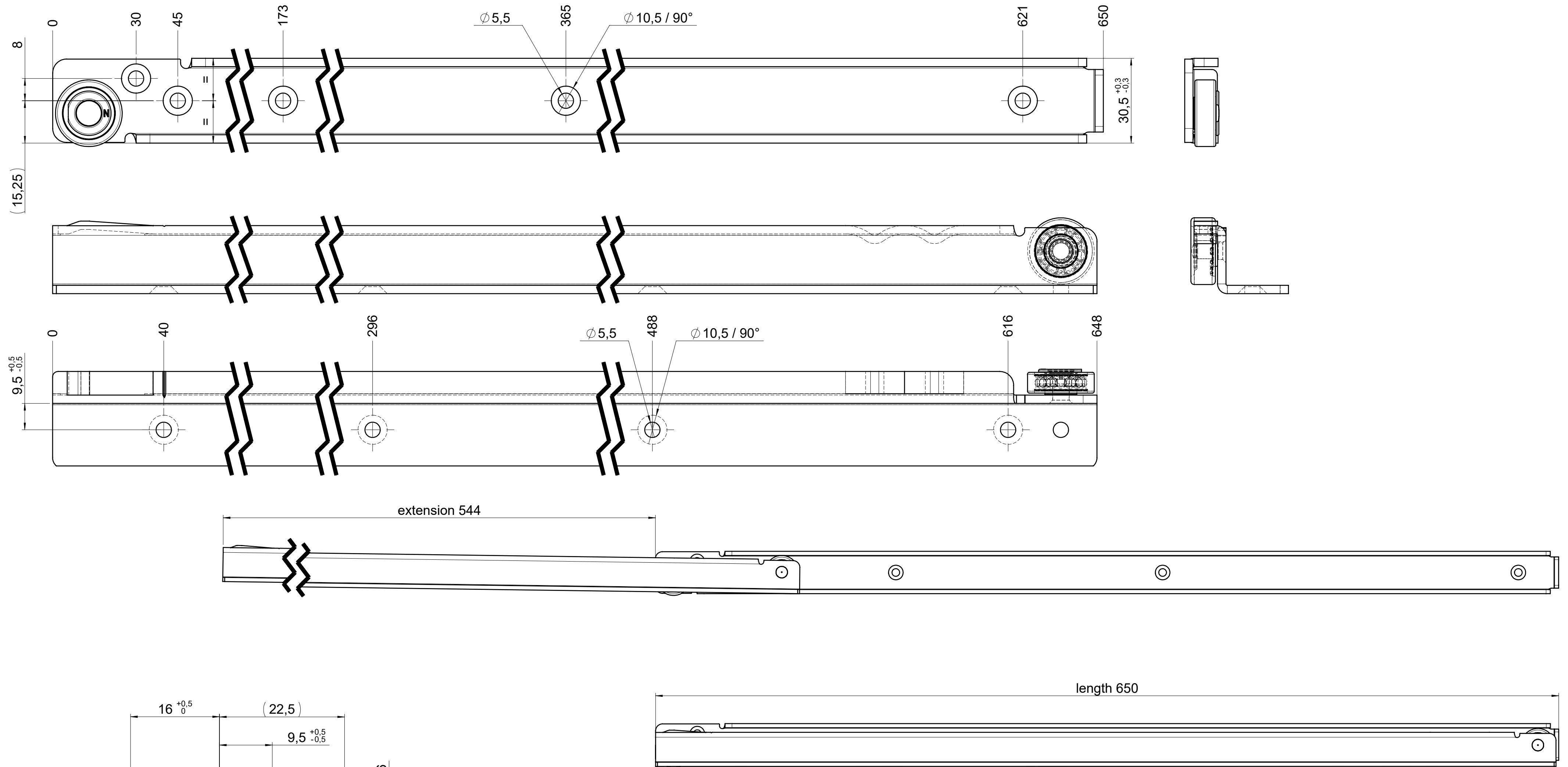


drawn left (right mirrorimage)

dimensions without coating / maximum coating allowed 0.1mm



final approval

customer name:

signed by:

date:

all dimensions in mm

DIN ISO 128-30
missing dimensions see 3D
= theor. intersection

This drawing remains our property and may not be multiplied neither be disclosed to third parties (§§1,3 and 5 from the copyright Act (UrhG)) covered according to DIN ISO 16016				scale: 1:1	surface:	material, semi finished parts: STEEL (technical requirements Fulterer)	A2
(k)				date	name	description: FR 206 / 65 EN (mm) regular-extension drawerside / bottom mount	drawing number: 206.650-GA.SB00 replaces version date:
(l)				drawn 24-11-2022	ex		
(h)				proven 02-01-2023	pr		
(g)				Fulterer			
(f)				Fulterer AG & Co KG A-6890 Lustenau / Austria			
(e)				Fulterer AG CH-9430 St. Margrethen			
(d)							
(c)							
(b)							
(a)							
ind.	changes	date	na.				