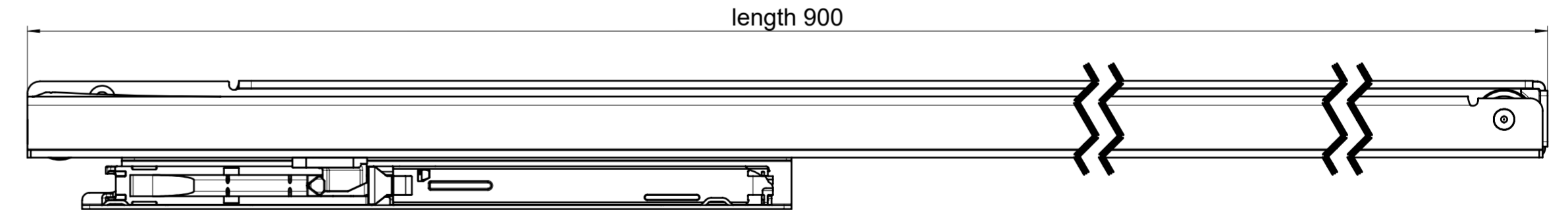
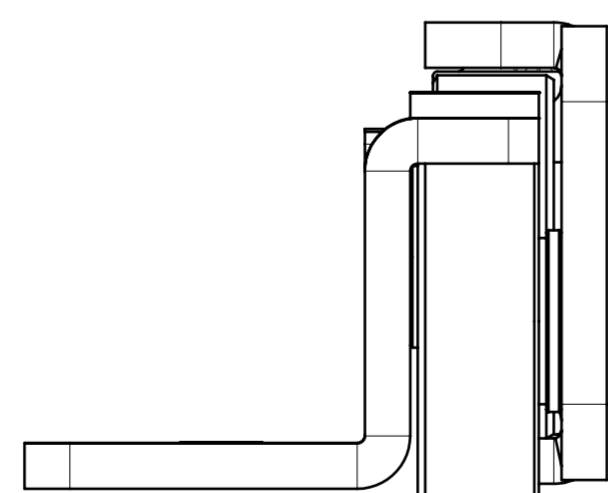
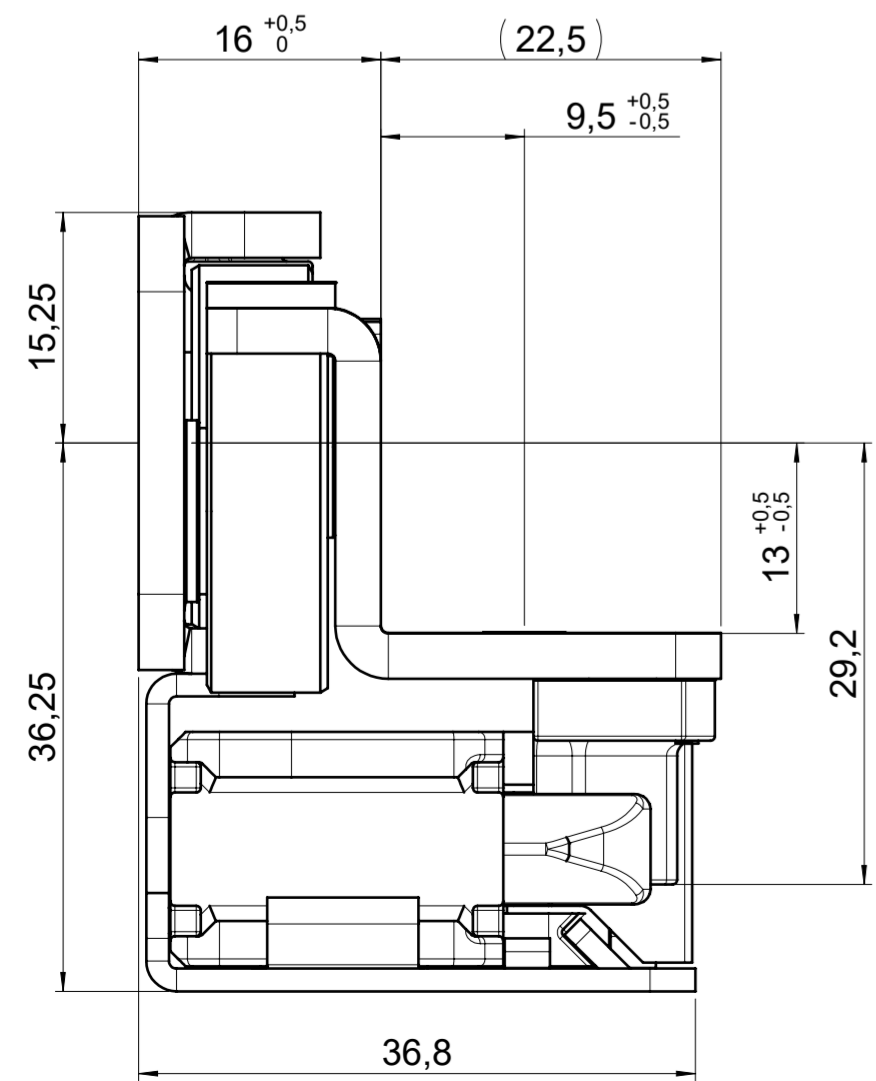
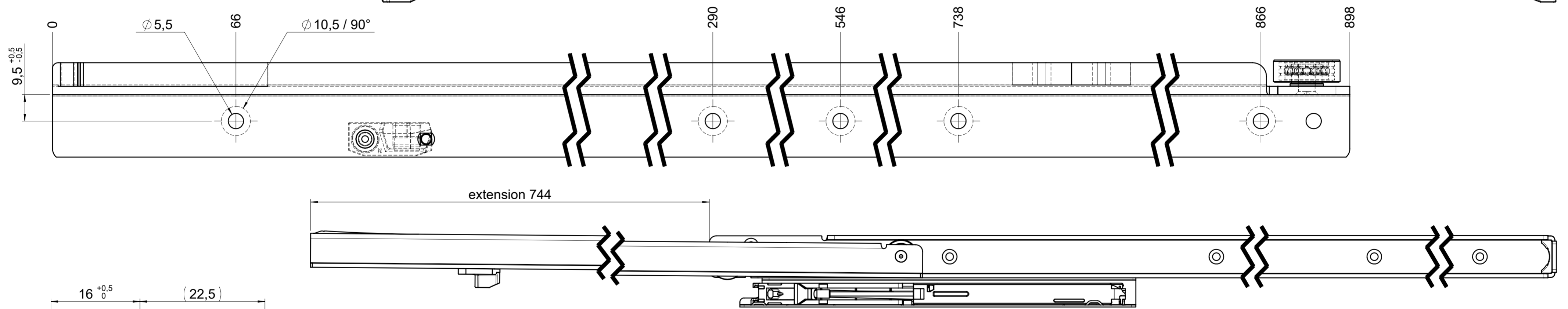
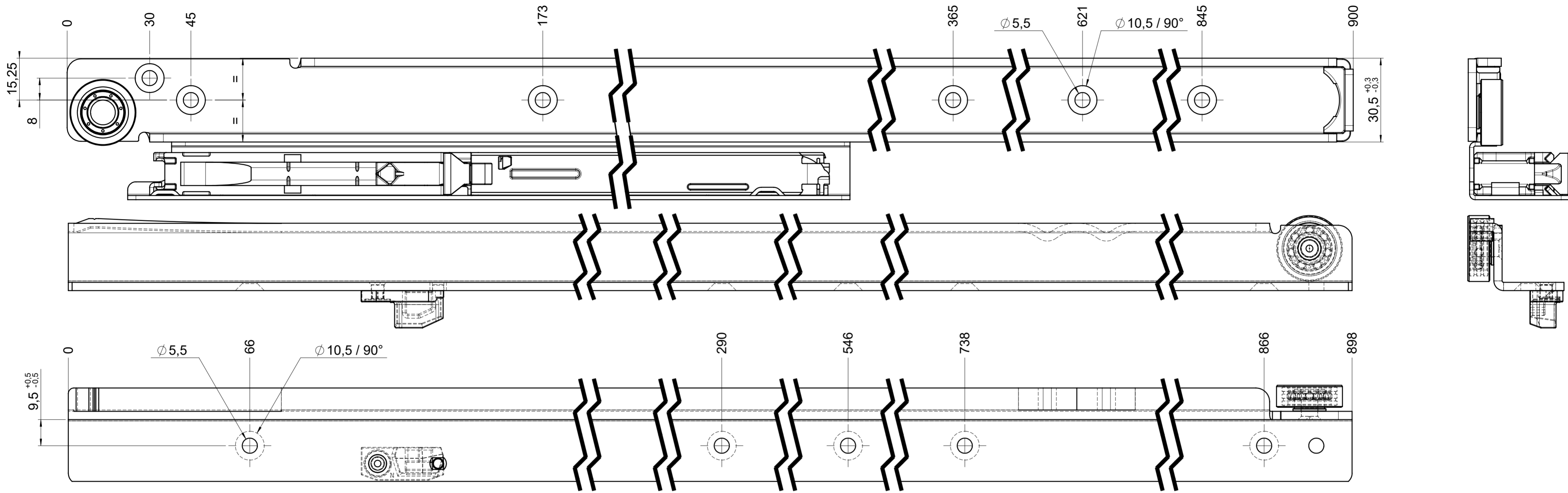


drawn left (right mirrorimage)



final approval

customer name:

signed by:

date:

all dimensions in mm				DIN ISO 128-30 missing dimensions see 3D = theor. intersection	
This drawing remains our property and may not be multiplied neither be disclosed to third parties (§§1,3 and 5 from the copyright Act (UrhG)) covered according to DIN ISO 16016				material, semi finished parts: STEEL (technical requirements Fulterer)	
scale: 1:1		surface:		description: FR 206 / 900 EN (mm) regular-extension drawerside / bottom mount	
drawn 01-05-2023		date 08-05-2023		drawing number: 206.900-GA.L529	
proven 08-05-2023		name ex pr		replaces version date:	
Fulterer		Fulterer AG & Co KG A-6890 Lustenau / Austria Fulterer AG CH-9430 St. Margrethen			
(k)					
(l)					
(m)					
(n)					
(o)					
(p)					
(q)					
(r)					
(s)					
(t)					
(u)					
(v)					
(w)					
(x)					
(y)					
(z)					
ind.	changes	date	na.		