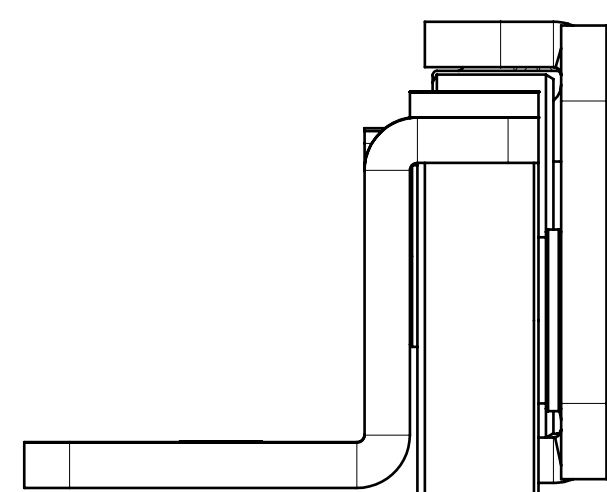
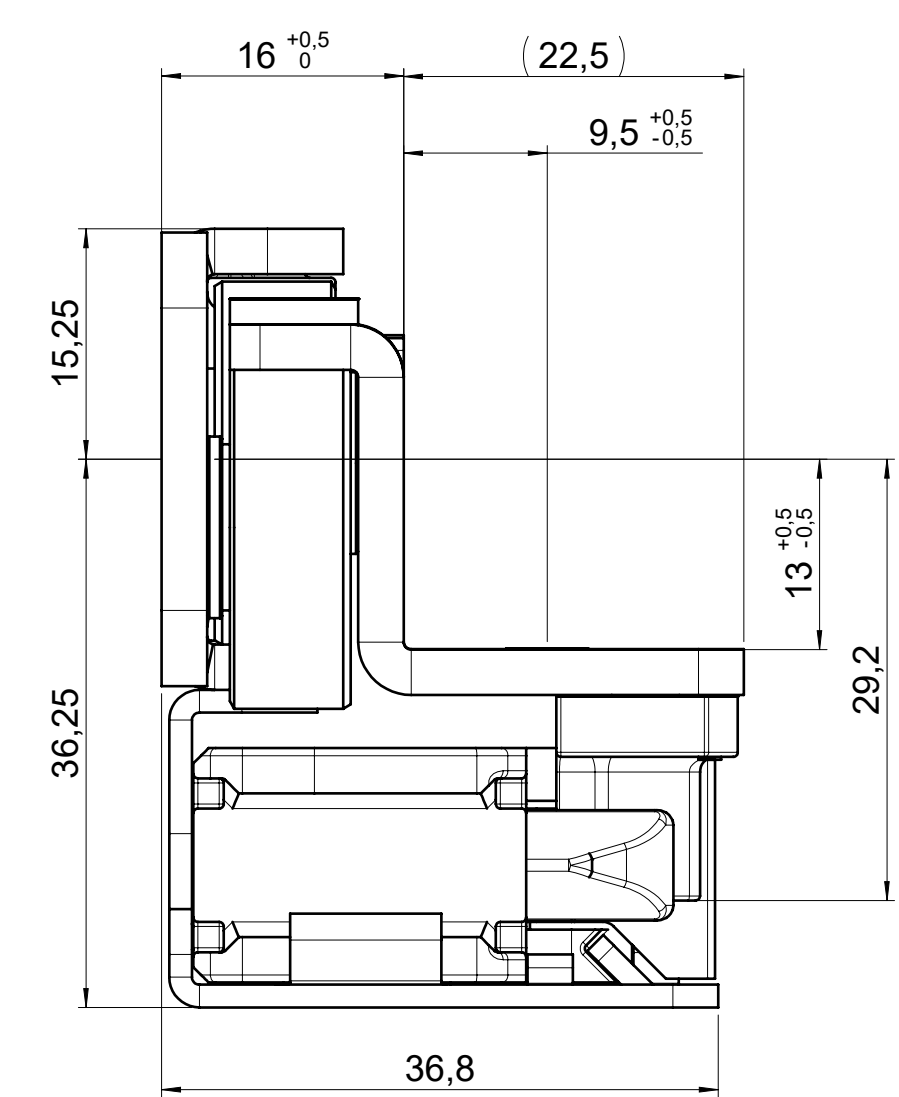
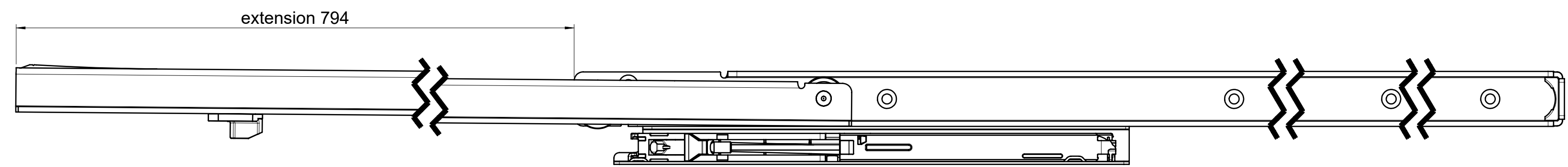
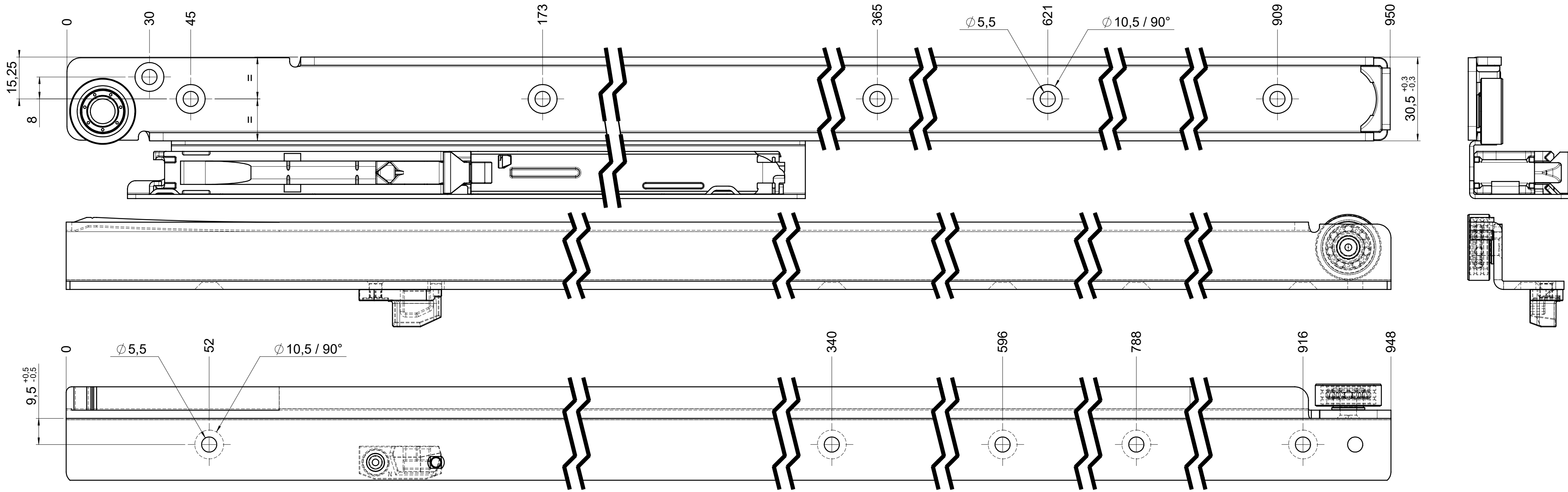
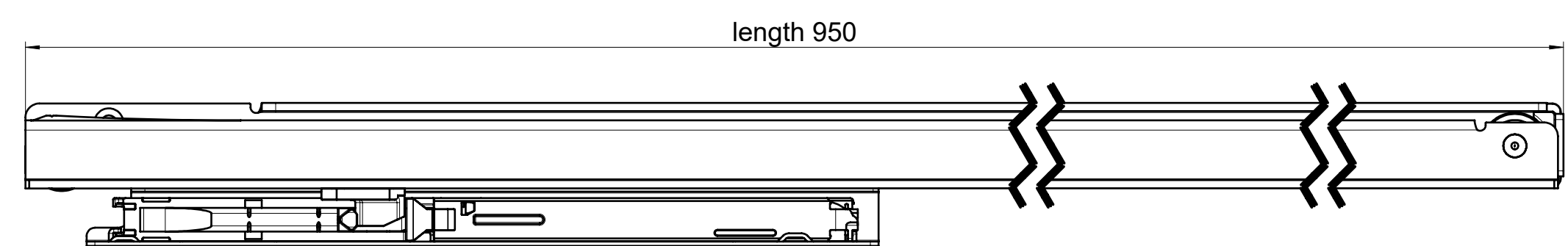


drawn left (right mirrorimage)



right without ECD



length 950

**final approval**

customer name:

signed by:

date:

**all dimensions in mm**

DIN ISO 128-30  
missing dimensions see 3D  
= theor. intersection

This drawing remains our property and may not be multiplied neither be disclosed to third parties (§§1,3 and 5 from the copyright Act (UrhG)) covered according to DIN ISO 16016				scale: 1:1	surface:	material, semi finished parts: STEEL (technical requirements Fulterer)	A2
(k)				date	name	description: FR 206 / 950 EN (mm) regular-extension drawerslide / bottom mount	drawing number: <b>206.950-GA.L529</b> replaces version date:
(l)				drawn 01-05-2023	ex		
(m)				proven 08-05-2023	pr		
(n)				<b>Fulterer</b>		Fulterer AG & Co KG A-6890 Lustenau / Austria Fulterer AG CH-9430 St. Margrethen	
(o)							
(p)				changes	date	na.	