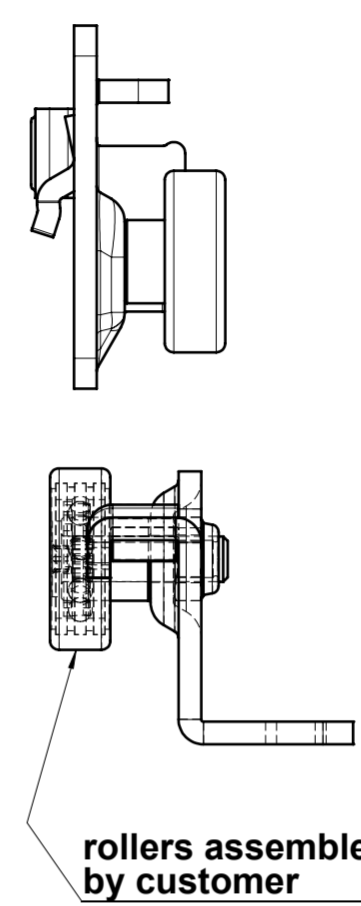
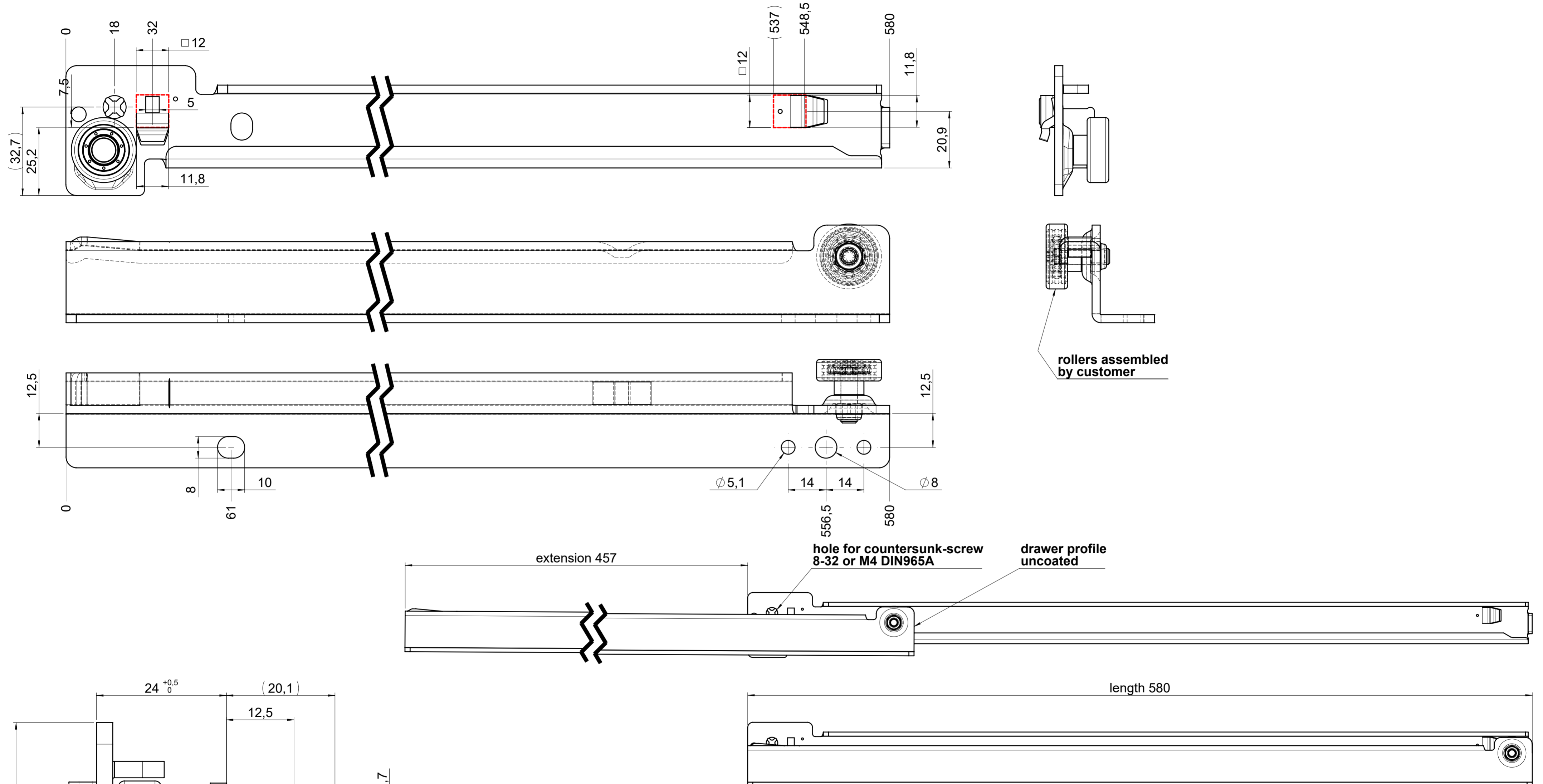


drawn left (right mirrorimage)

dimensions without coating / maximum coating allowed 0.1mm



rollers assembled by customer

final approval

customer name:

signed by:

date:

all dimensions in mm				DIN ISO 128-30 missing dimensions see 3D = theor. intersection		
This drawing remains our property and may not be multiplied neither be disclosed to third parties (§§1,3 and 5 from the copyright Act (UrhG)) covered according to DIN ISO 16016						
(k) (l) (i) (h) (g) (f) (e) (d) (c) (b) (a)	scale:	1:1		surface:	material, semi finished parts: A2	
	drawn	date	name	ex	description: FR 215 / 58 EN (mm) regular-extension drawerside / bottom mount	
	proven	01-03-2023	pr	pr		
	Fulterer				drawing number: 215.580-GA.U004 replaces version date:	
	Fulterer AG & Co KG A-6890 Lustenau / Austria					
Fulterer AG CH-9430 St. Margrethen						
ind.	changes	date	na.			