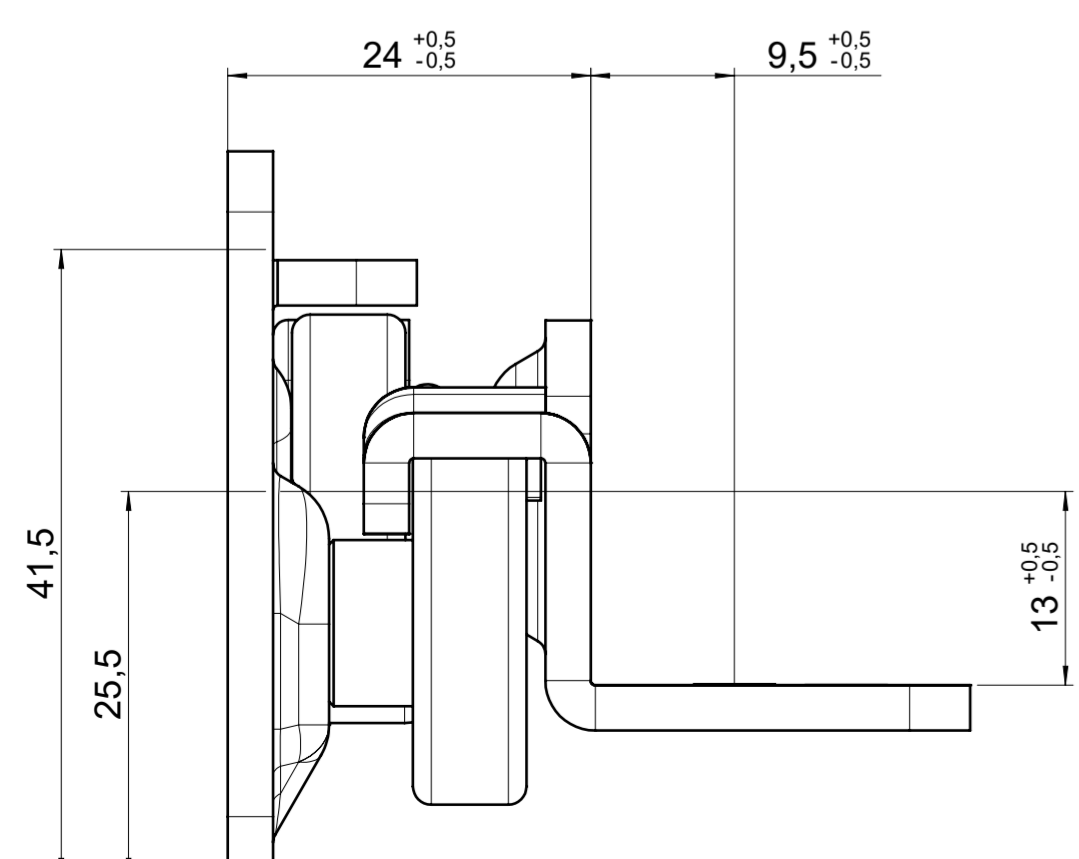
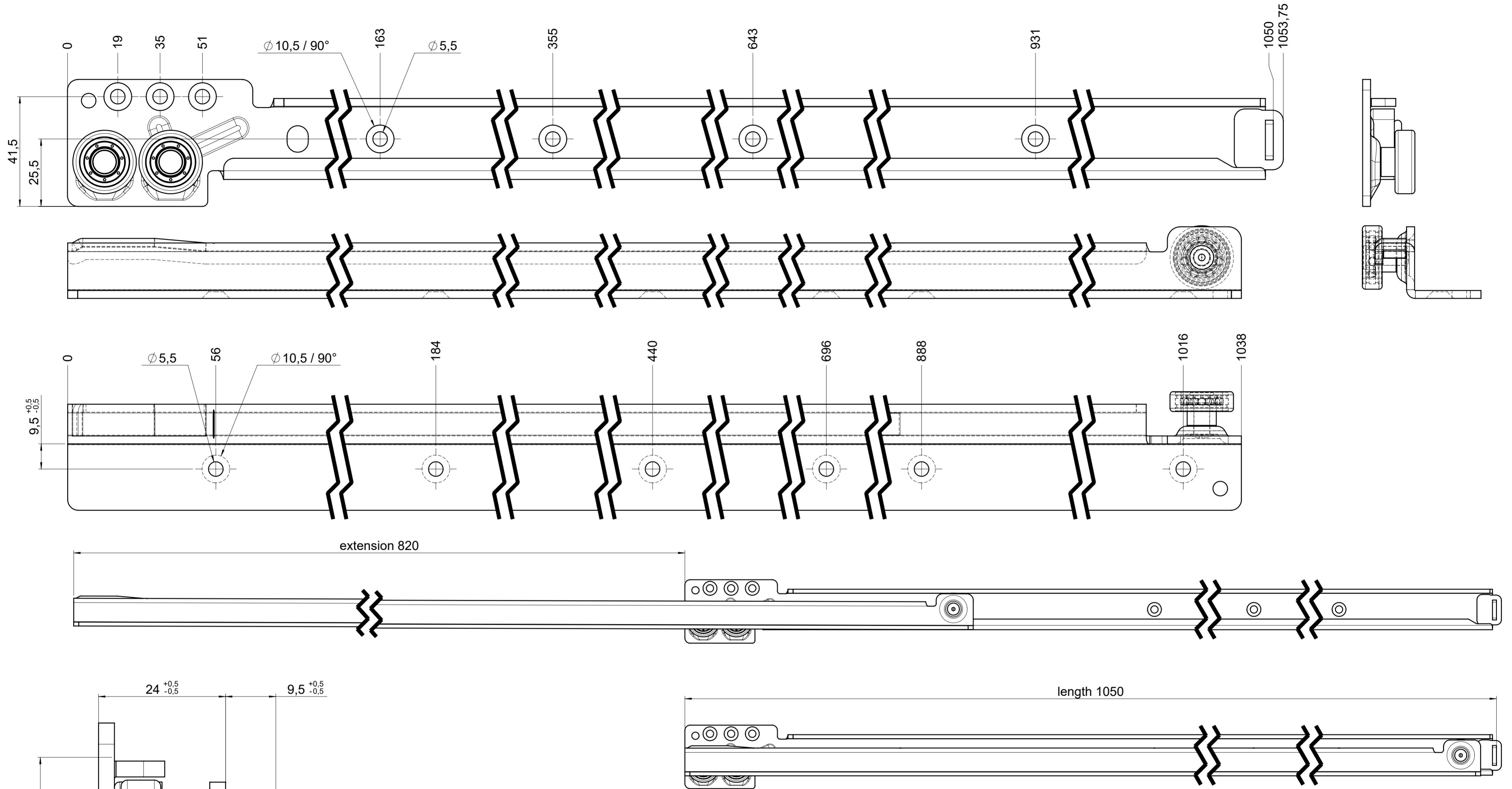


drawn left (right mirrorimage)

dimensions without coating / maximum coating allowed 0.1mm



final approval

customer name:

signed by:

date:

all dimensions in mm				DIN ISO 128-30 missing dimensions see 3D = theor. intersection	
This drawing remains our property and may not be multiplied neither be disclosed to third parties (§§1,3 and 5 from the copyright Act (UrhG)) covered according to DIN ISO 16016				A2	
scale: 1:1		surface:		material, semi finished parts: STEEL (technical requirements Fulterer)	
drawn 16-12-2022		date		description: FR 216 / 105 EN (mm) regular-extension drawerside / bottom mount	
proven 02-01-2023		name		drawing number: 216.1050-GA.0000	
changes		date		replaces version date:	
na.		na.		na.	