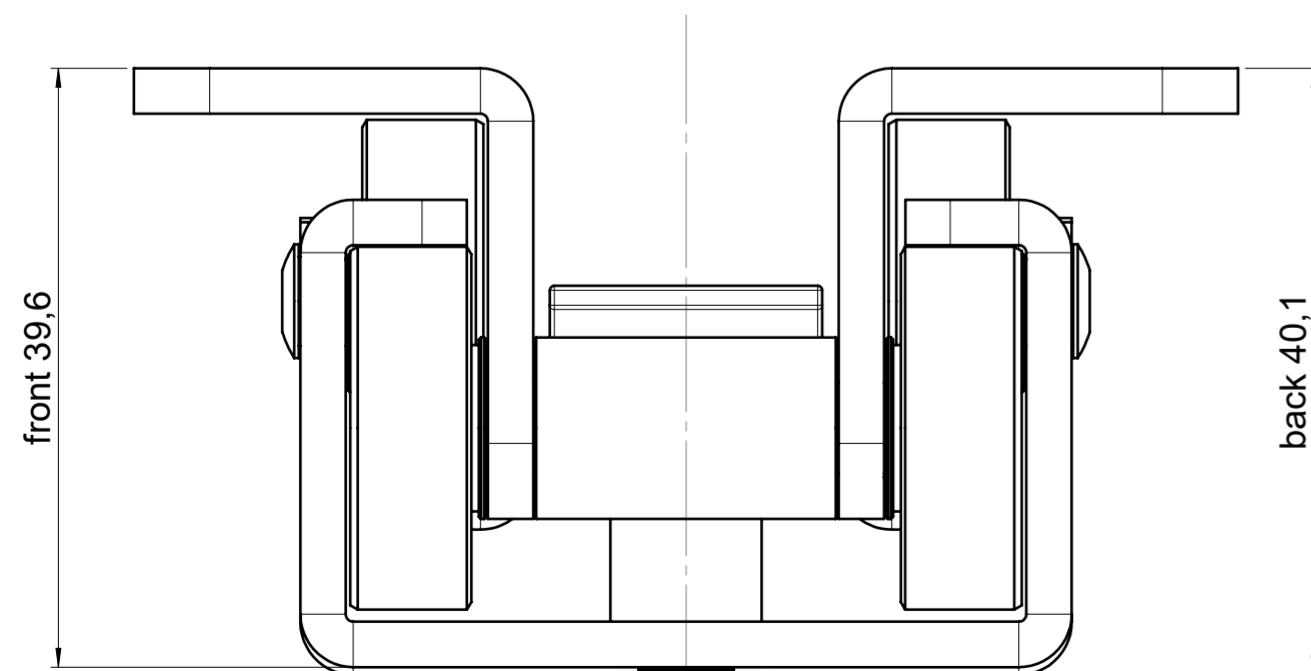
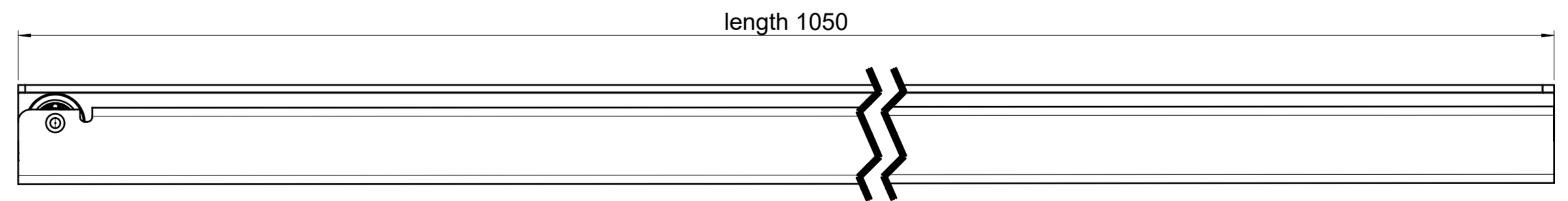
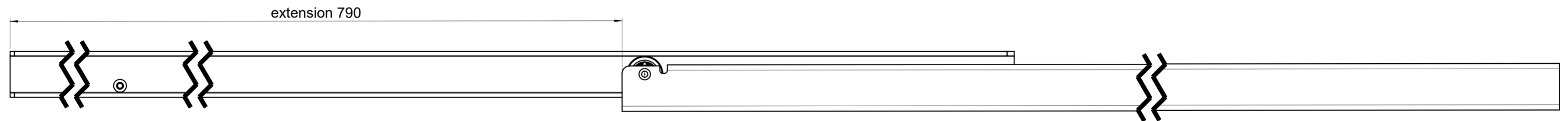
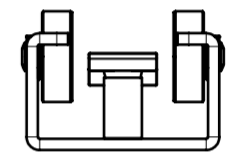
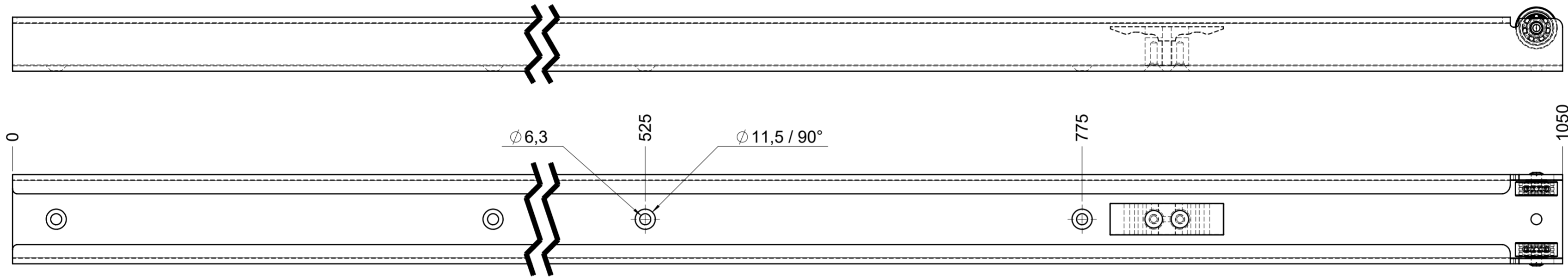
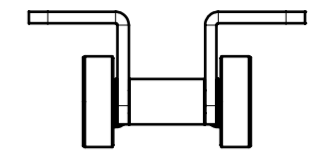
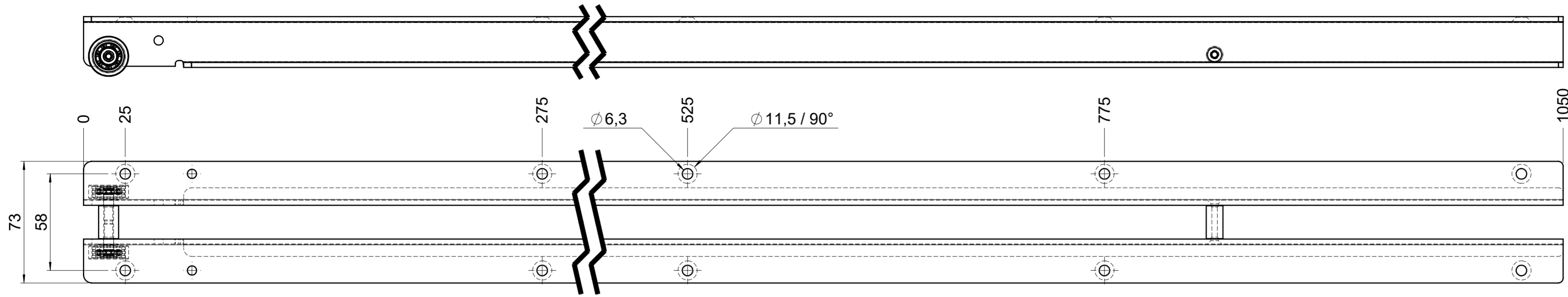


drawn left (right mirrorimage)

dimensions without coating / maximum coating allowed 0.1mm



final approval

customer name:

signed by:

date:

all dimensions in mm

DIN ISO 128-30
missing dimensions see 3D
= theor. intersection

This drawing remains our property and may not be multiplied neither be disclosed to third parties (§§1,3 and 5 from the copyright Act (UrhG)) covered according to DIN ISO 16016				scale:	surface:	material, semi finished parts:	A2
(k)				1:2		STEEL	
(l)				date	name	(technical requirements Fulterer)	
(i)				drawn 17-01-2023	ex		
(h)				proven 01-02-2023	pr		
(g)						description: FR 505T / 105 EN (mm) regular-extension vertical pull-out slide	
(f)							
(e)							
(d)							
(c)							
(b)				Fulterer AG & Co KG A-6890 Lustenau / Austria		drawing number: 505T.1050-GA.0000	
(a)				Fulterer AG CH-9430 St. Margrethen			replaces version date:
ind.	changes	date	na.				