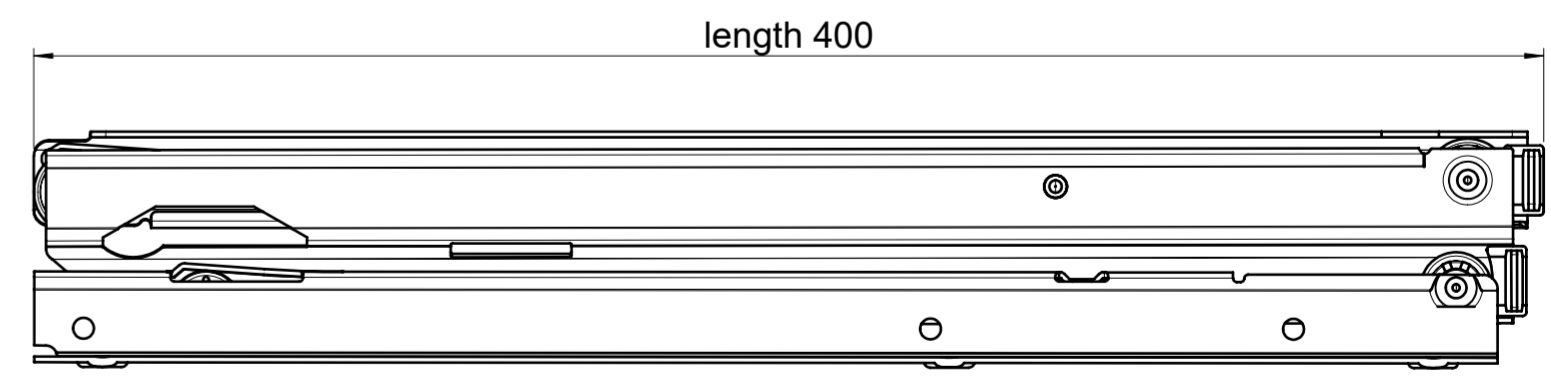
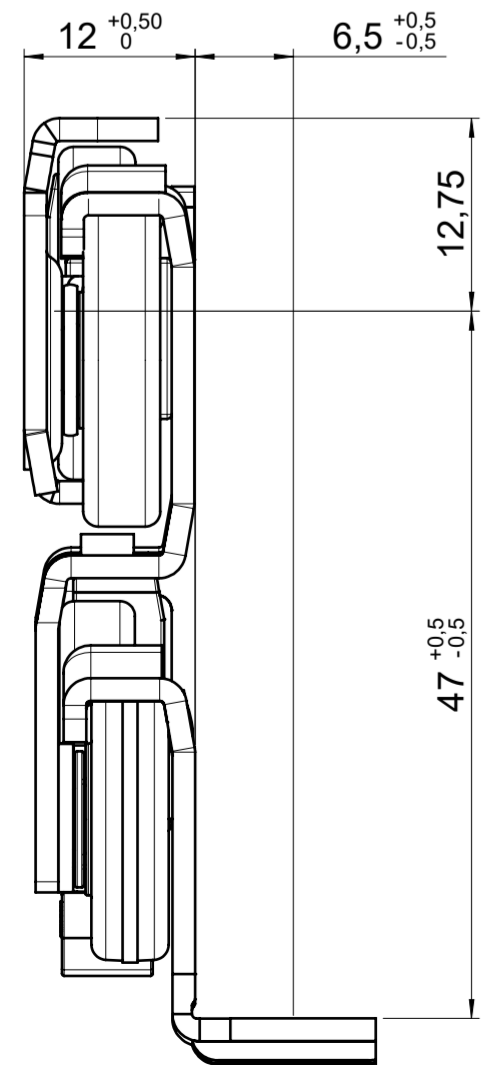
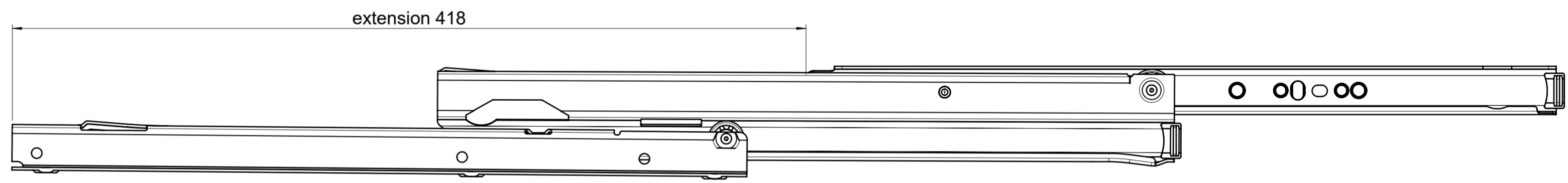
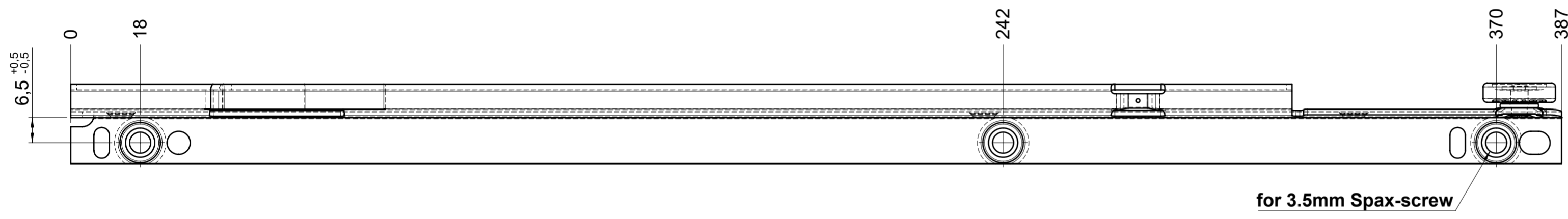
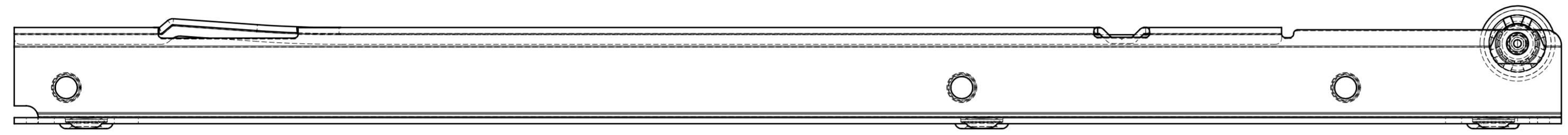
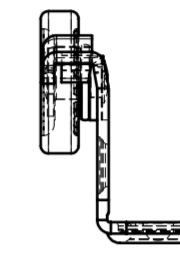
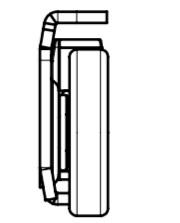
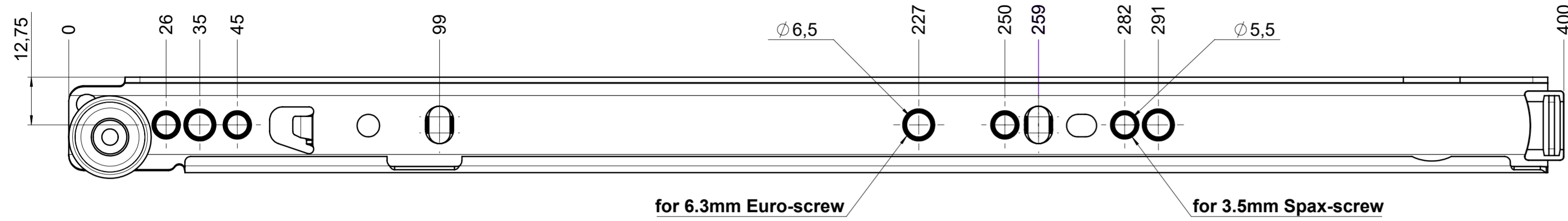


drawn left (right mirrorimage)

dimensions without coating / maximum coating allowed 0.1mm



**final approval**

customer name:

signed by:

date:

<b>all dimensions in mm</b>				DIN ISO 128-30 missing dimensions see 3D = theor. intersection	
This drawing remains our property and may not be multiplied neither be disclosed to third parties (§§1,3 and 5 from the copyright Act (UrhG)) covered according to DIN ISO 16016					
(k) (l) (i) (h) (g) (f) (e) (d) (c) (b) (a)	scale:	1:1		surface:	material, semi finished parts: <b>STEEL</b>
	drawn	date	name	pr	(technical requirements Fulterer)
	proven	02-01-2023	pr	pr	description:
		01-02-2023	pr	pr	FR 6500 / 40 EN (mm)
					over-extension drawerslide / bottom mount
					drawing number:
					<b>6500.400-GA.0000</b>
					replaces version date:
ind.	changes	date	na.		