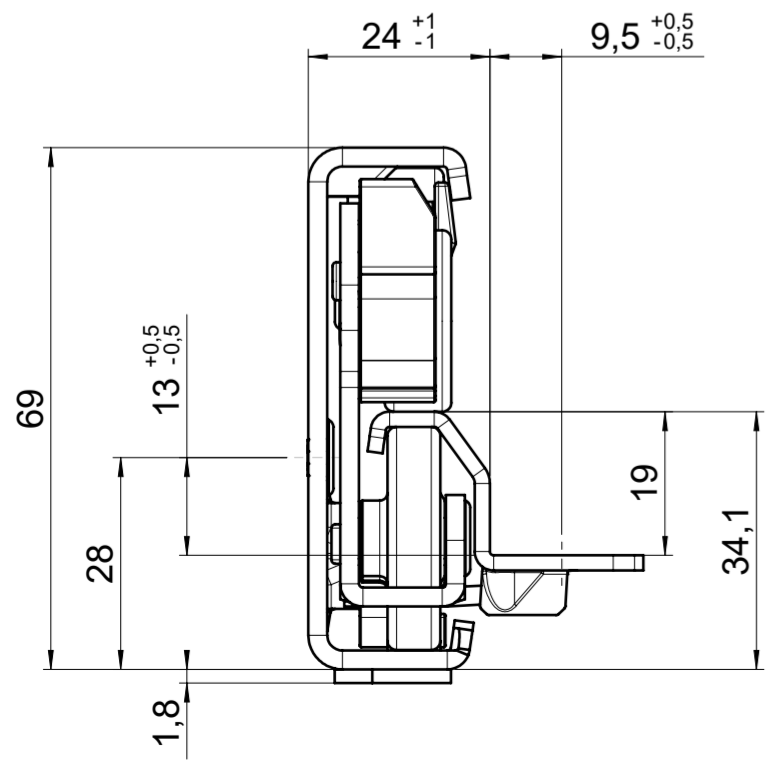
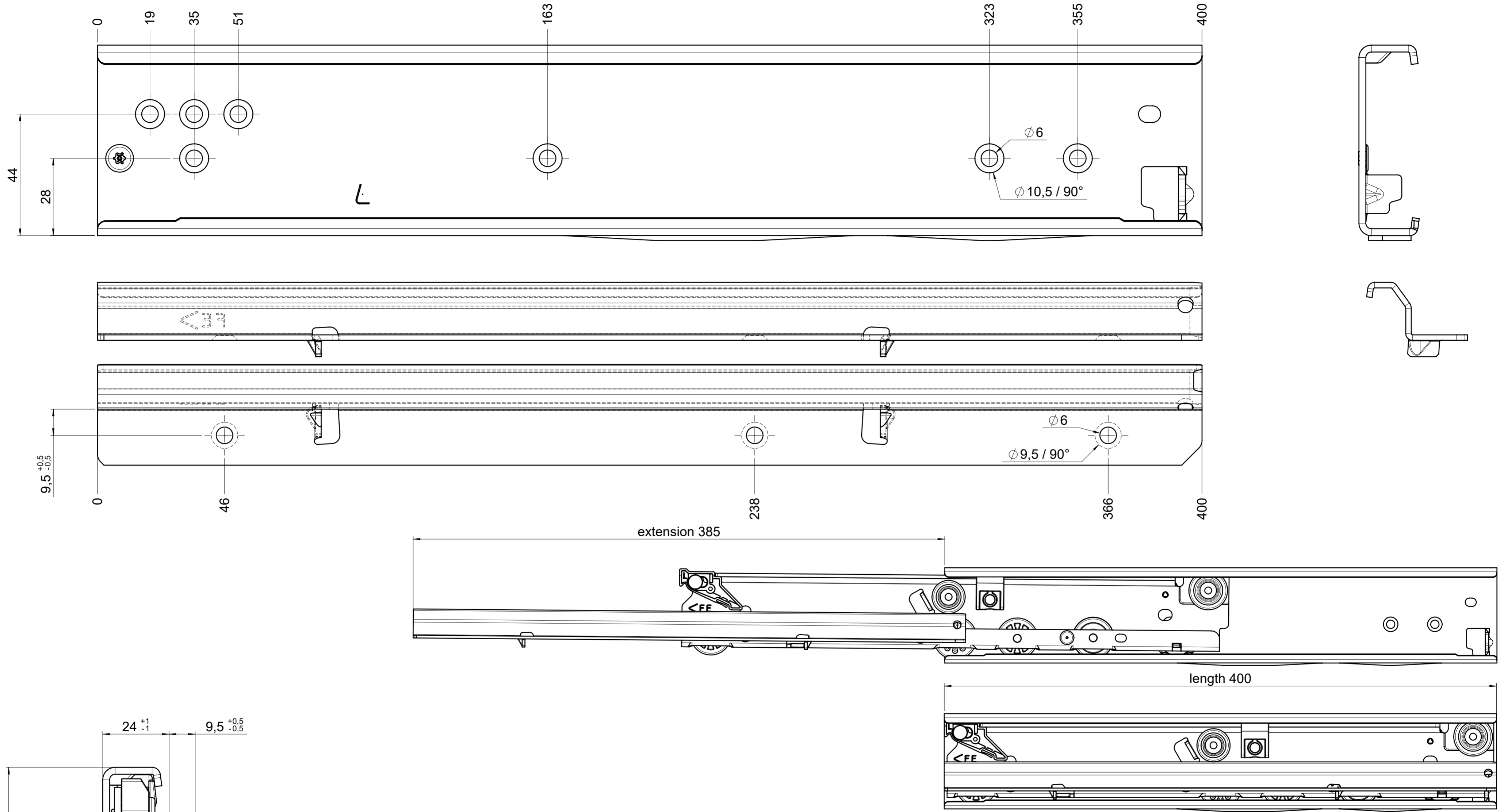


drawn left (right mirrorimage)

dimensions without coating / maximum coating allowed 0.1mm



final approval

customer name:

signed by:

date:

| | | | | | |
|--|---------|------|------------|---|--|
| all dimensions in mm | | | | DIN ISO 128-30 missing dimensions see 3D = theor. intersection | |
| This drawing remains our property and may not be multiplied neither be disclosed to third parties (§§1,3 and 5 from the copyright Act (UrhG)) covered according to DIN ISO 16016 | | | | | |
| (k) (l) (m) (n) (o) (p) (q) (r) (s) (t) (u) (v) (w) (x) (y) (z) | scale: | 1:1 | | surface: | material, semi finished parts: steel |
| | drawn | date | 22-12-2022 | name | BM |
| | proven | date | 00-00-0000 | name | 00 |
| | | | | | description: FR 7180 / 40 EN (mm) progressive-action full-extension drawerslide / bottom mount |
| Fulterer AG & Co KG A-6890 Lustenau / Austria Fulterer AG CH-9430 St. Margrethen | | | | drawing number: 7180.0400-GA.0000 replaces version date: | |
| ind. | changes | date | na. | | |