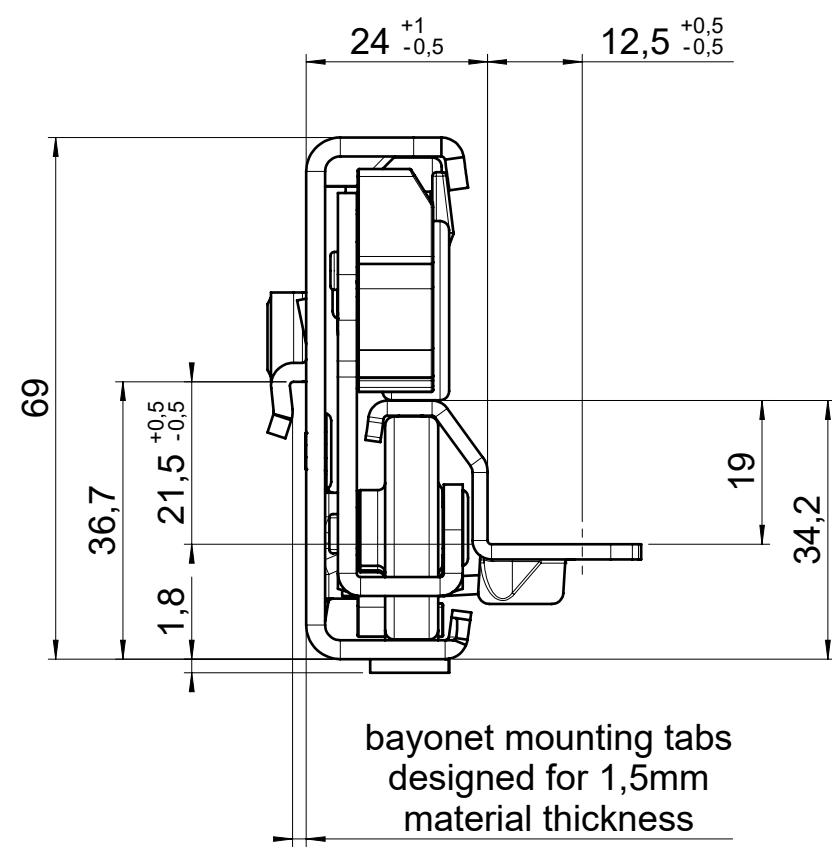
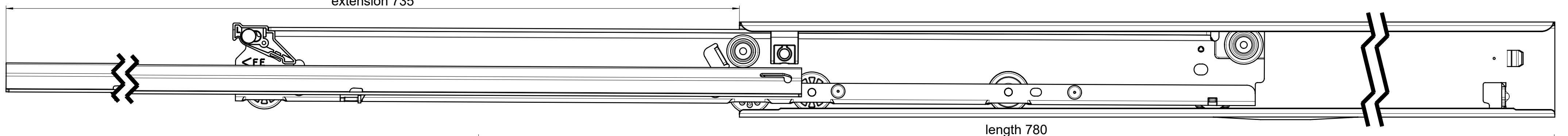
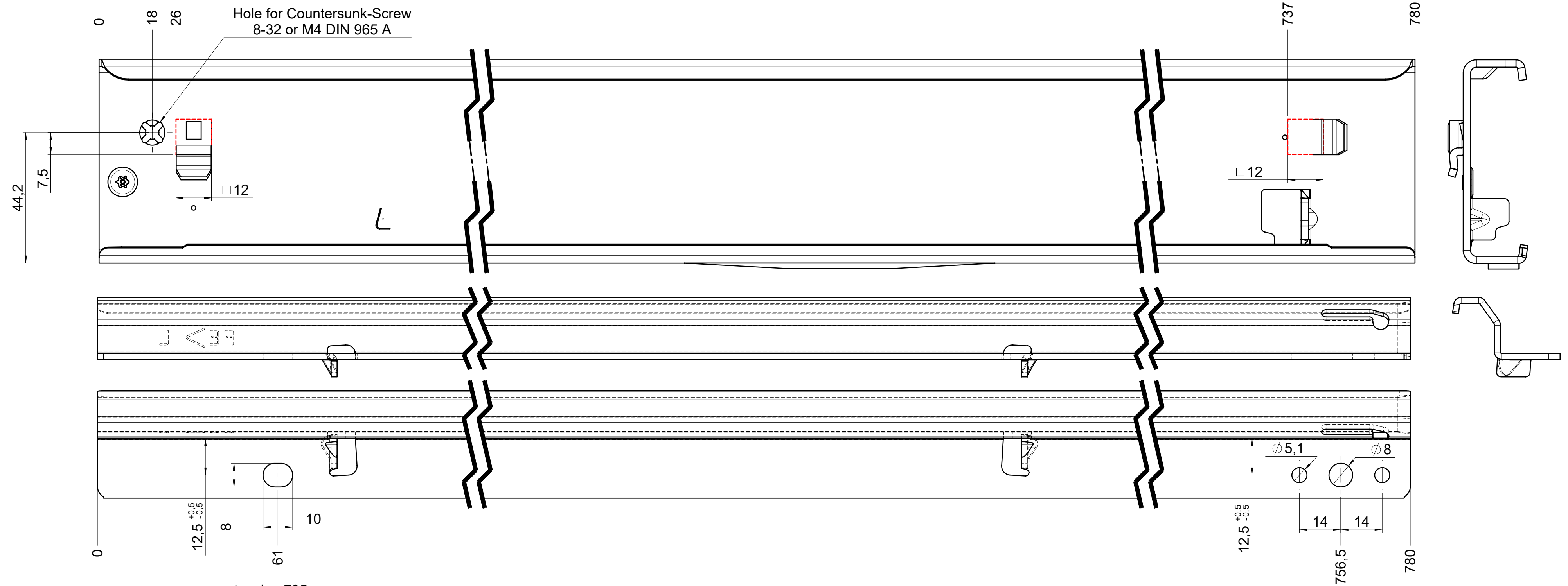


# 7180.750-GA.U017

drawn left (right mirrorimage)

dimensions without coating / maximum coating allowed 0.1mm



**final approval**

customer name:

signed by:

date:

all dimensions in mm				DIN ISO 128-30 missing dimensions see 3D = theor. intersection	
This drawing remains our property and may not be multiplied neither be disclosed to third parties (§§1,3 and 5 from the copyright Act (UrhG)) covered according to DIN ISO 16016					
scale: 1:1		surface:		material, semi finished parts: <b>steel</b>	
drawn: 14-12-2022		date: 14-12-2022		name: BM	
proven: 00-00-0000		date: 00-00-0000		name: 00	
<b>Fulterer</b>				description: FR 7180 / 75 EN (mm) progressive-action full-extension drawerslide / bottom mount	
Fulterer AG & Co KG A-6890 Lustenau / Austria				drawing number: <b>7180.750-GA.U017</b>	
Fulterer AG CH-9430 St. Margrethen				replaces version date:	
ind.	changes	date	na.		