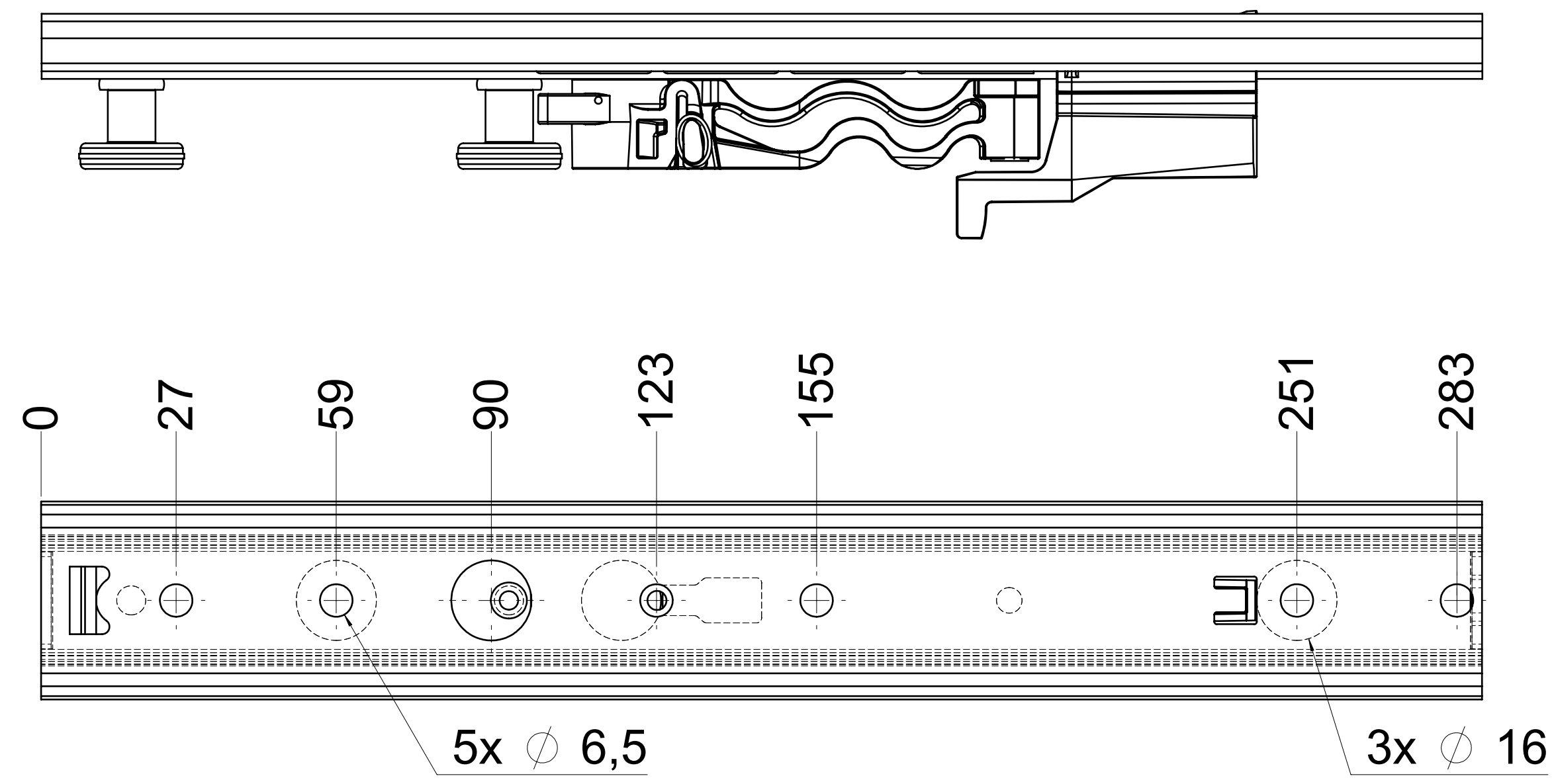


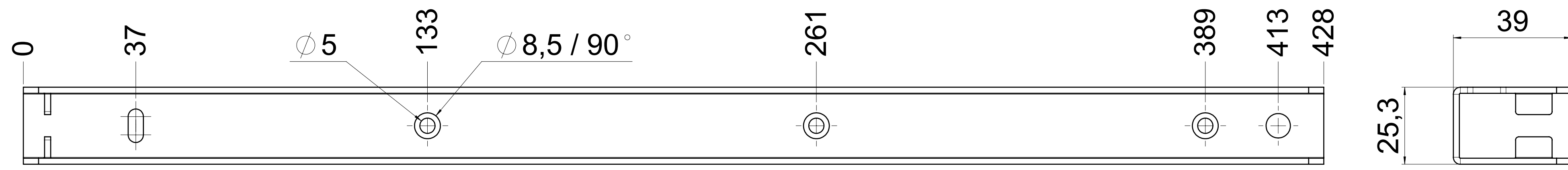
dimensions without coating / maximum coating allowed 0.1mm

X

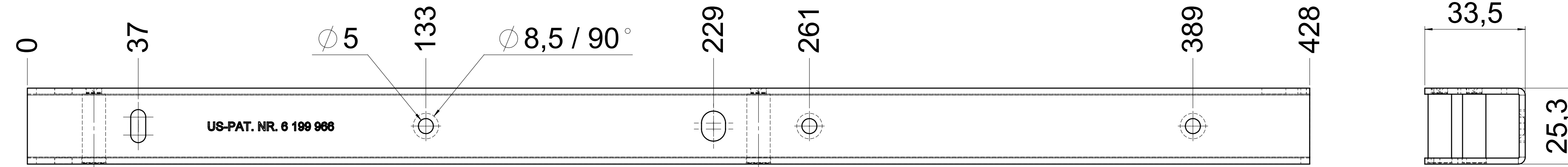
top guide cabinet profile



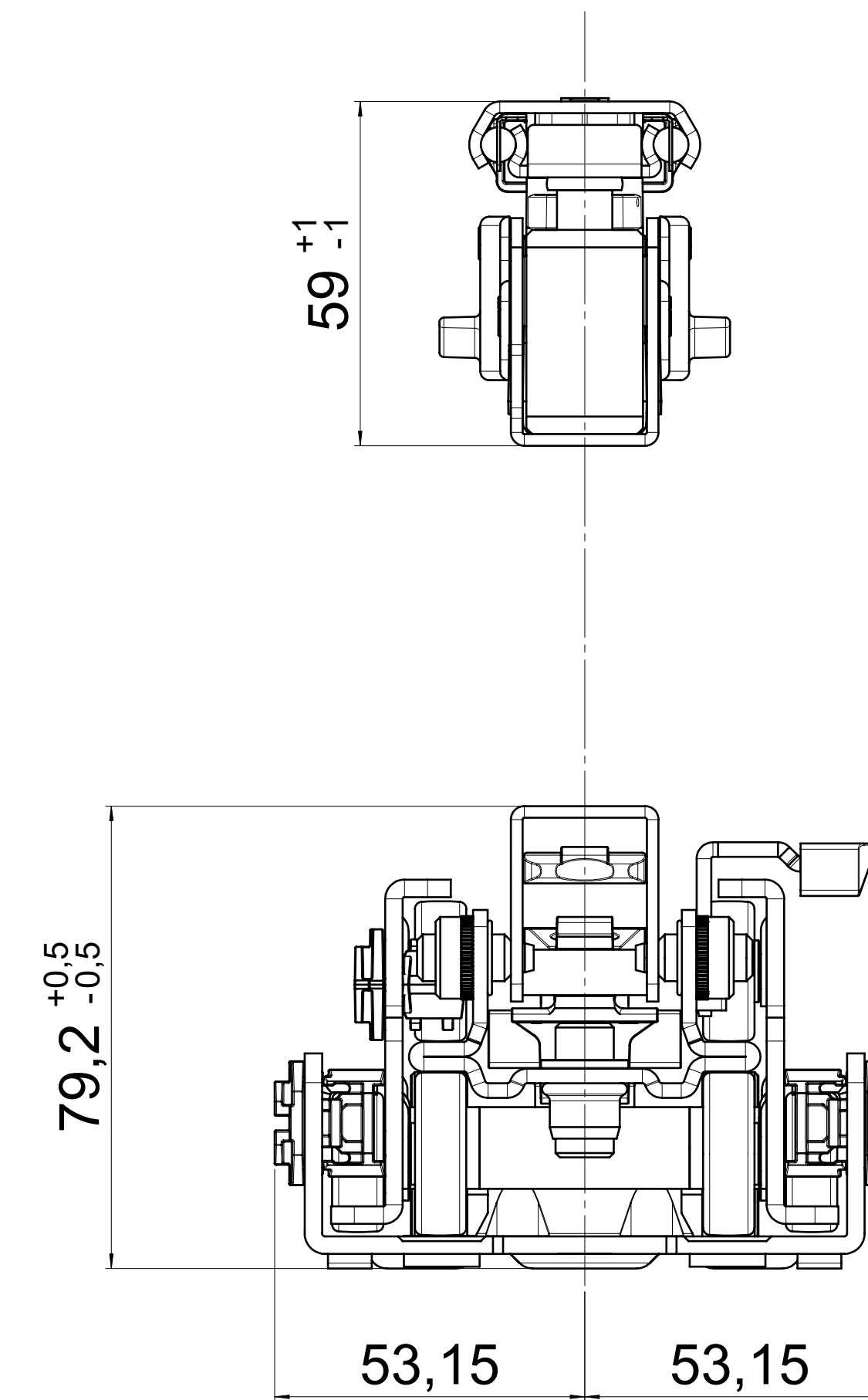
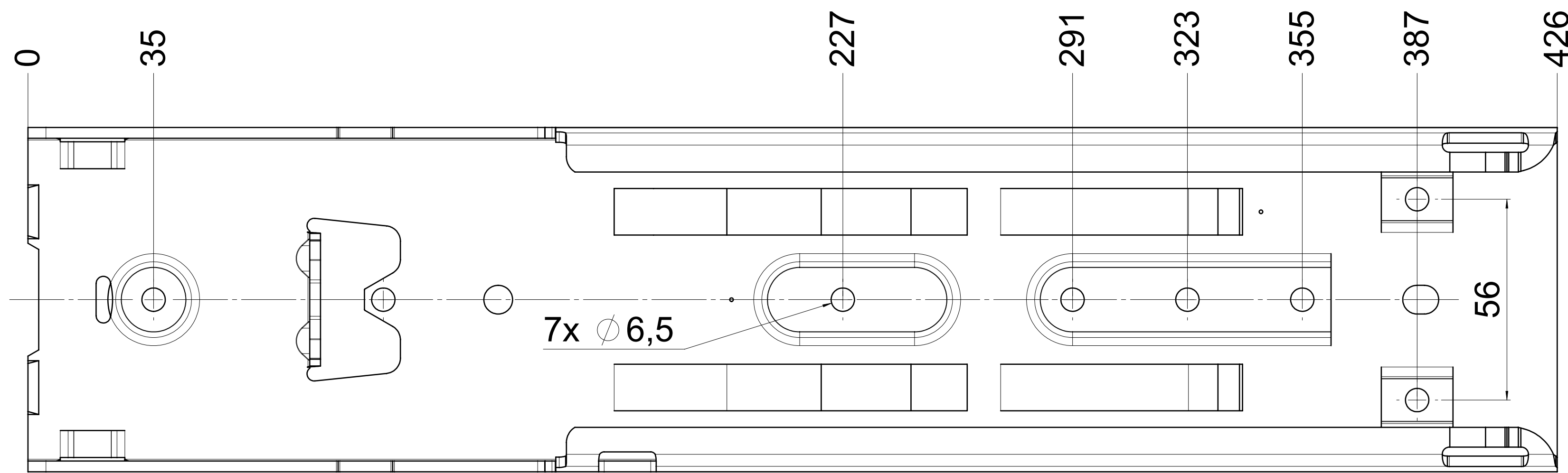
top guide drawer profile



bottom guide drawer profile



bottom guide cabinet profile



final approval

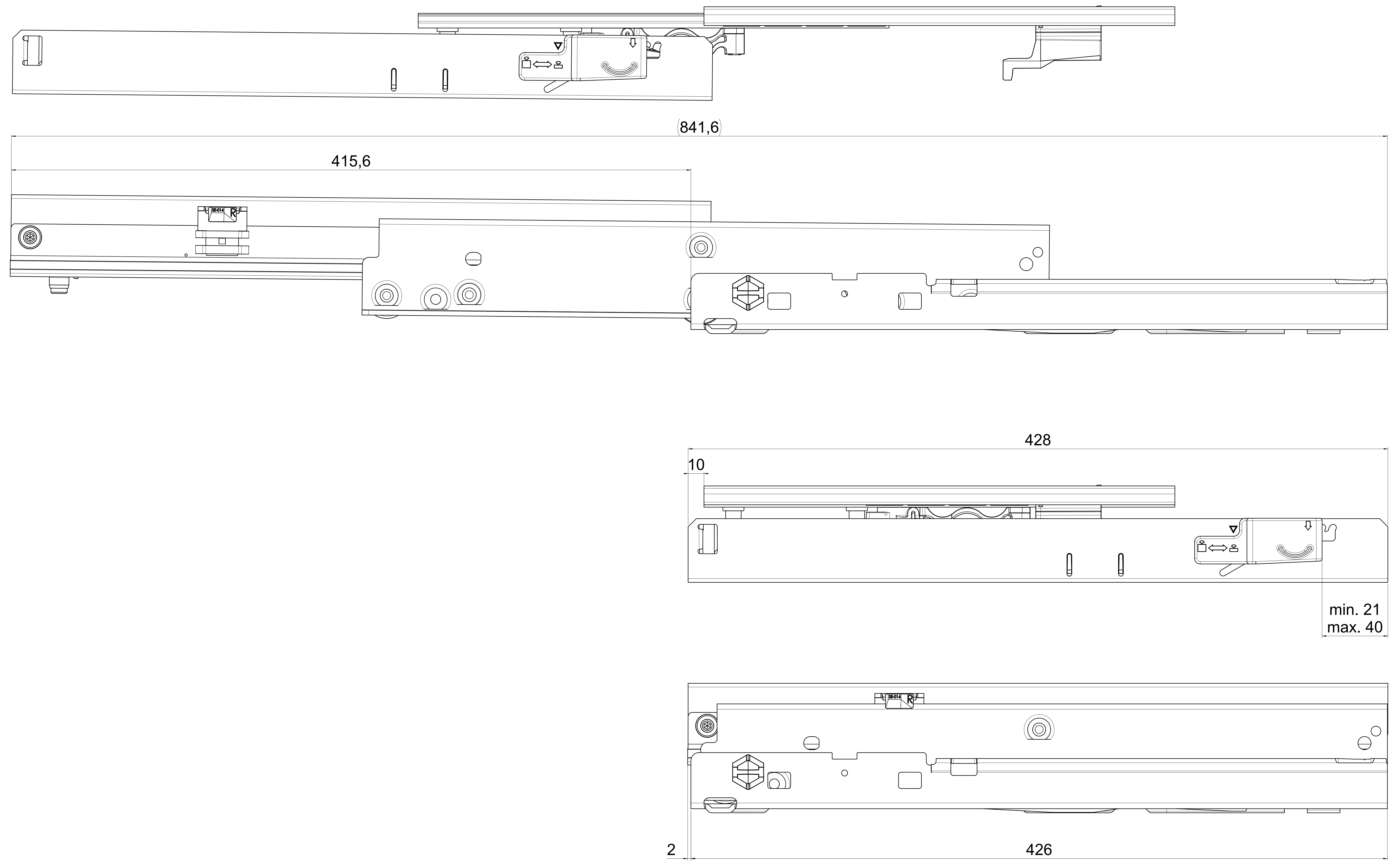
customer name: _____

signed by: _____

date: _____

<p>all dimensions in mm</p> <p>This drawing remains our property and may not be multiplied neither be disclosed to third parties (§§1,3 and 5 from the copyright Act (UrhG)). covered according to DIN ISO 16016</p>		<p>DIN ISO 128-30 missing dimensions see 3D = theor. intersection</p>
<p>scale: 1:1</p> <p>surface: steel (technical requirements Filterer)</p>	<p>material: semi finished parts</p> <p>AO</p>	<p>changes</p>
<p>drawn: 07-12-2022 GB</p> <p>proven: 09-09-2022 00</p> <p>Filterer</p> <p>Filterer AG & Co KG A-6890 Lustenau / Austria C14-8430 St. Margarethen</p>	<p>description: FR 771A / 43 - EN (mm) progressive-action full-extension drawerslide / bottom mount</p> <p>drawing number: 771A.430-GA.0000 replaces version 0416:</p>	<p>date</p> <p>na.</p> <p>includes: beabarger</p>

dimensions without coating / maximum coating allowed 0.1mm



min. 21
max. 40

⚠ = check dimension , next free check number

final approval

customer name: _____

signed by: _____

date: _____

<p>all dimensions in mm</p> <p>This drawing remains our property and may not be multiplied neither be disclosed to third parties (§§1,3 and 5 from the copyright Act (UrhG)) covered according to DIN ISO 15016</p>		<p>DIN ISO 128-30 missing dimensions see 3D = theor. intersection</p>
<p>scale: 1:1</p>	<p>surface: steel</p>	<p>material: semi finished parts: AO</p>
<p>drawn: 07-12-2022 GB</p>	<p>name: GB</p>	<p>description: FR 771A / 43 EN (mm) progressive-action full-extension drawerslide / bottom mount</p>
<p>proven: 09-09-2022 00</p>	<p>Filterer</p>	<p>drawing number: 771A.430-GA.0000</p>
<p>Filterer AG & Co KG A-6800 Lustenau / Austria CH-8430 St. Margrethen</p>	<p>replaces version date:</p>	<p>replaces version date:</p>
<p>changes</p>	<p>date</p>	<p>na.</p>