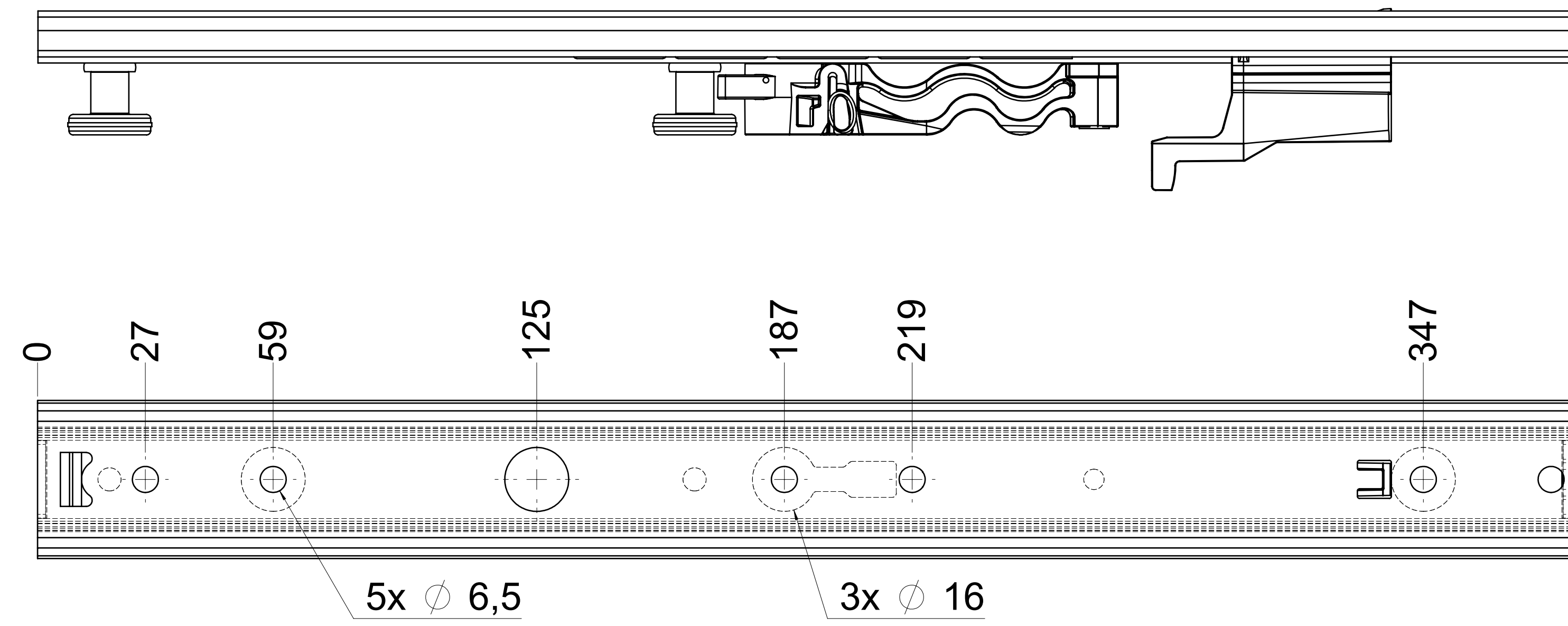
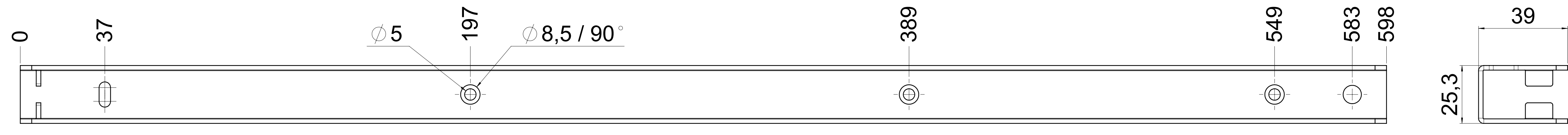


dimensions without coating / maximum coating allowed 0.1mm

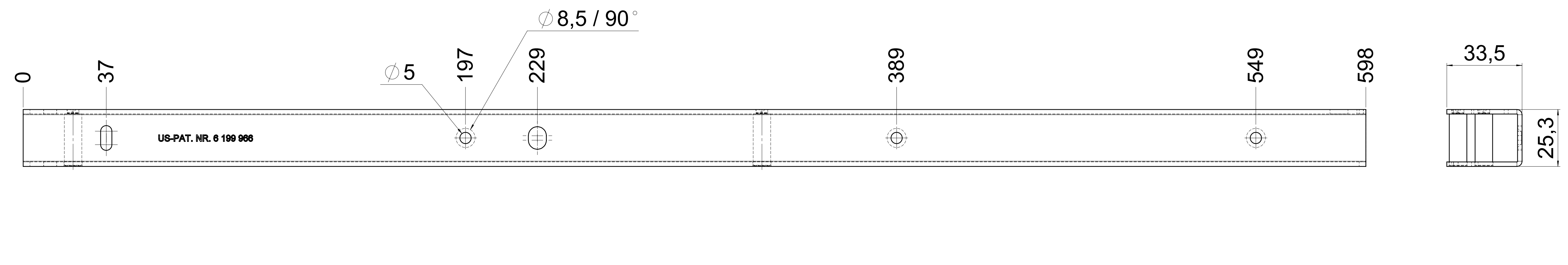
top guide cabinet profile



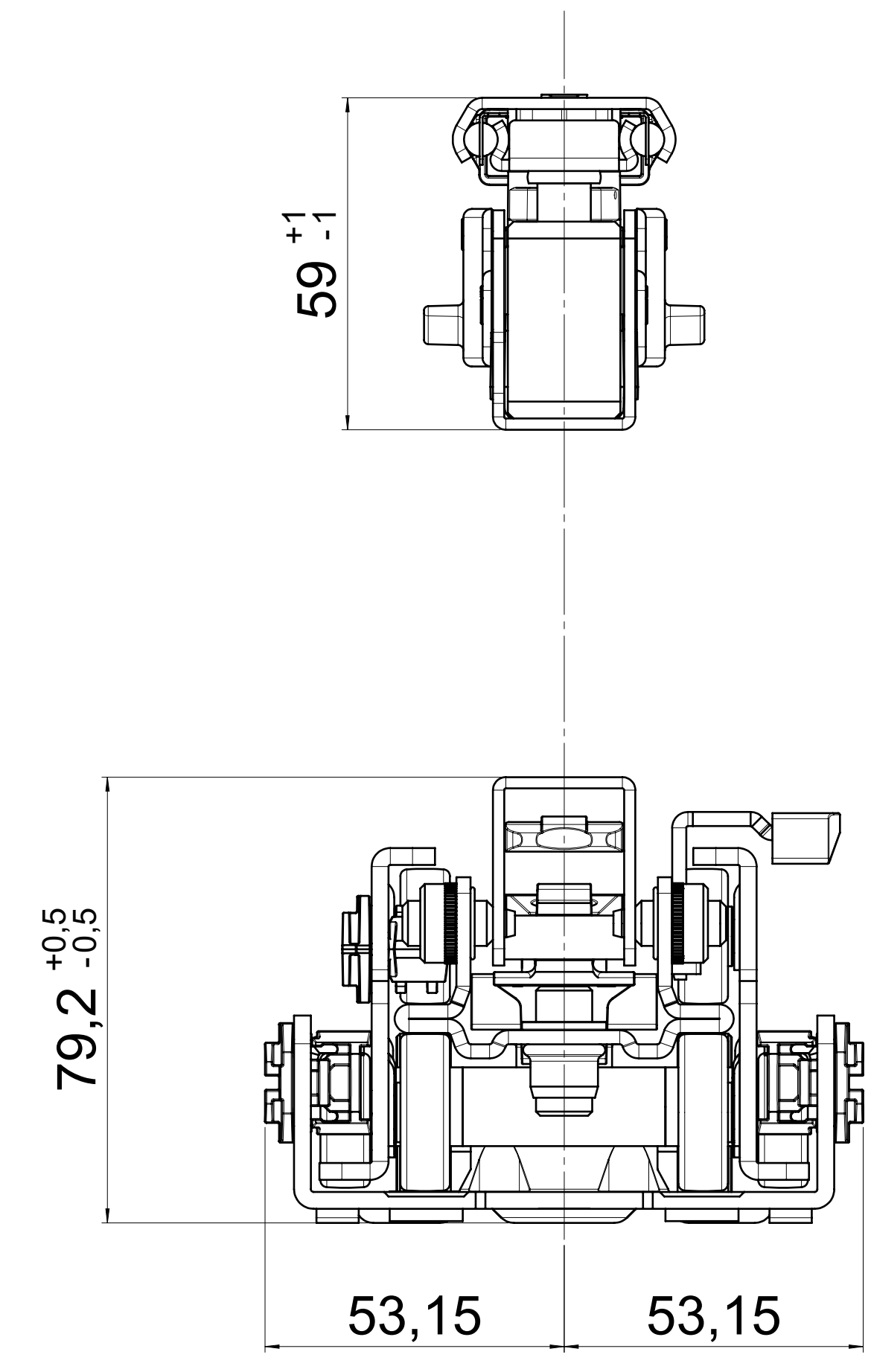
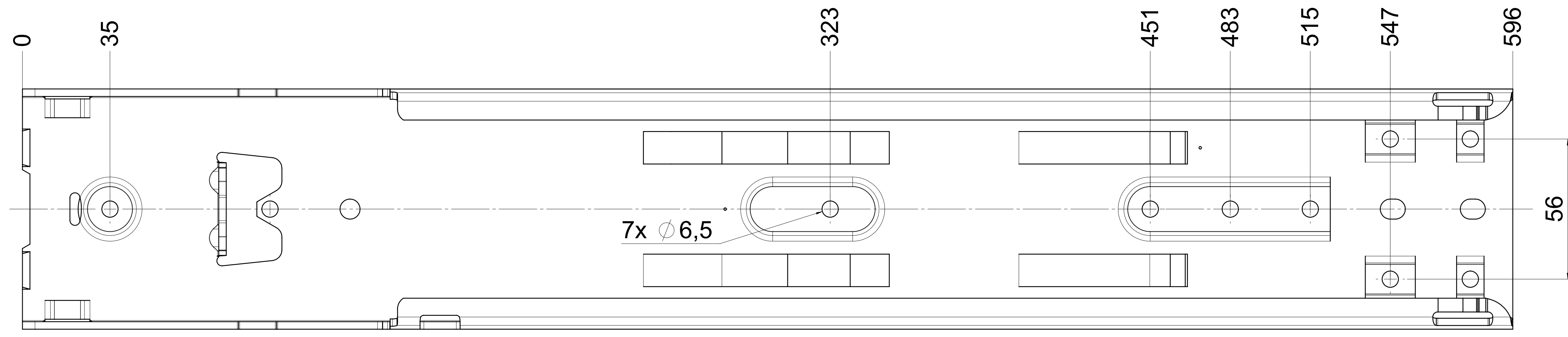
top guide drawer profile



bottom guide drawer profile



bottom guide cabinet profile



final approval

customer name:

signed by:

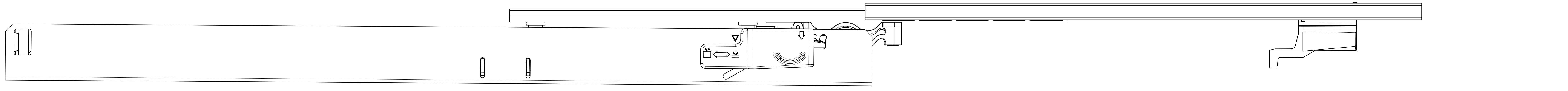
date:

<p>all dimensions in mm</p> <p>This drawing remains our property and may not be multiplied neither be disclosed to third parties (§§1,3 and 5 from the copyright Act (UrhG)) covered according to DIN ISO 16015</p>		<p>DIN ISO 128-30 missing dimensions see 3D = theor. intersection</p>	
scale:	1:1	surface:	steel
material:	semi finished parts	material:	steel
description:	FR 771A / 60 - EN (mm) progressive-action full-extension drawerslide / bottom mount	description:	FR 771A / 60 - EN (mm) progressive-action full-extension drawerslide / bottom mount
drawing number:	771A.600-GA.0000	drawing number:	771A.600-GA.0000
replaces version date:		replaces version date:	
changes:	date	na.	

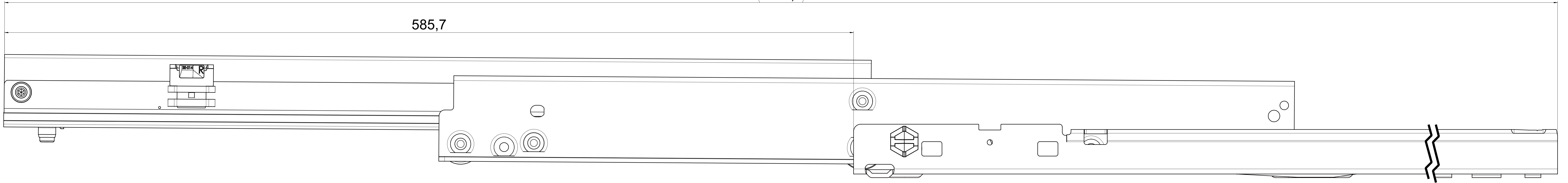
= check dimension , next free check number

dimensions without coating / maximum coating allowed 0.1mm

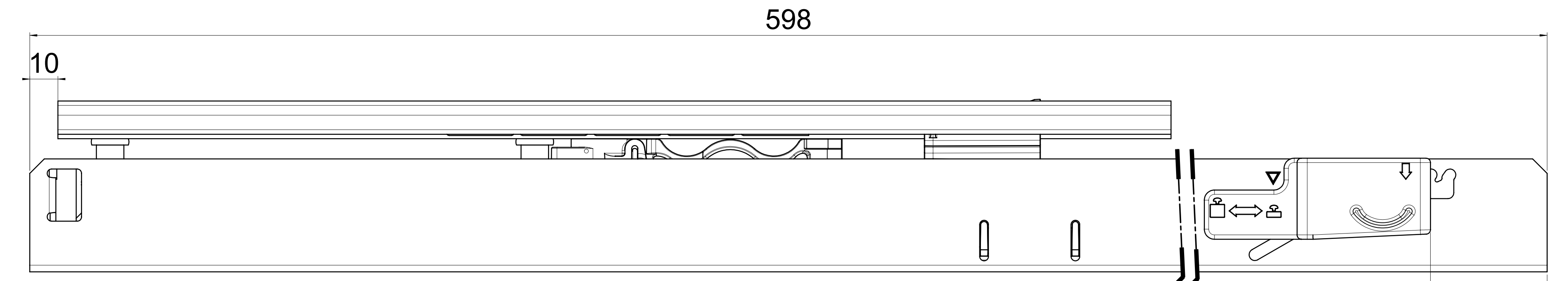
X



(1181,7)



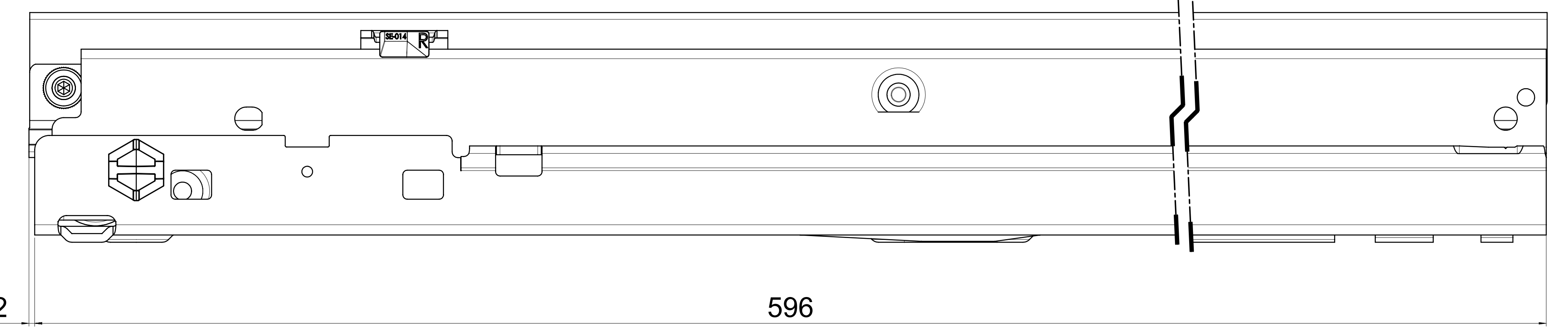
585,7



598

10

min. 21
max. 40



596

2

⚠ = check dimension , next free check number ⚠

final approval

customer name: _____

signed by: _____

date: _____

<p>all dimensions in mm</p> <p><small>This drawing remains our property and may not be multiplied neither be disclosed to third parties (§§1,3 and 5 from the copyright Act (UrhG)) covered according to DIN ISO 15016</small></p>		<p><small>DIN ISO 128-30</small></p> <p><small>missing dimensions see 3D</small></p> <p><small>= theor. intersection</small></p>	
<p>scale: 1:1</p>	<p>surface: steel</p> <p>(technical requirements Fulterer)</p>	<p>material: steel</p> <p>semifinished parts:</p>	<p>AO</p>
<p>drawn: 07-12-2022</p> <p>proven: 09-09-2022</p>	<p>date: 07-12-2022</p> <p>name: GB</p>	<p>description: FR 771A / 60 - EN (mm)</p> <p>progressive-action full-extension</p> <p>drawerslide / bottom mount</p>	<p>drawing number: 771A.600-GA.0000</p> <p>replaces version 636:</p>
<p>changes</p>	<p>date</p>	<p>na.</p>	<p>na.</p>