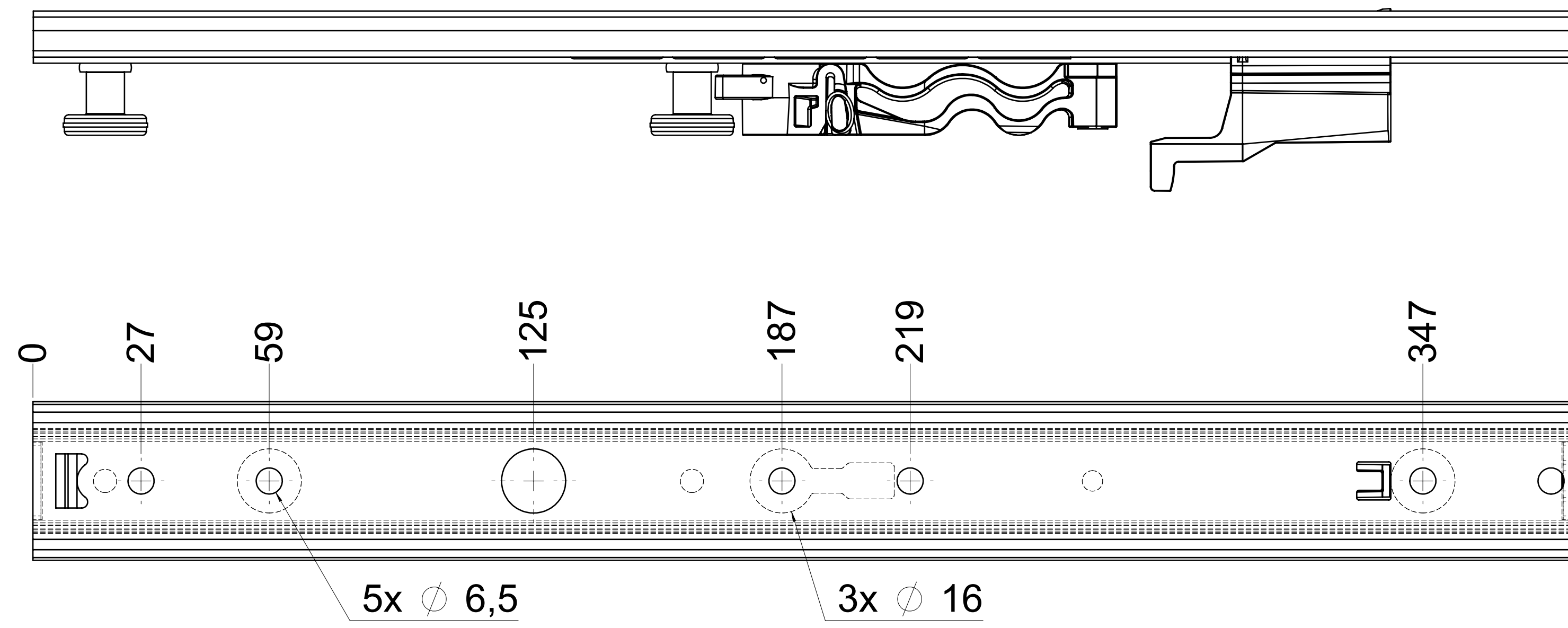


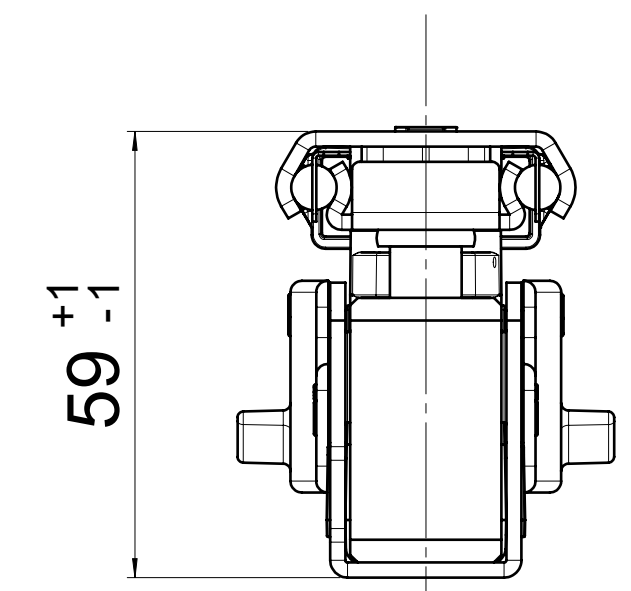
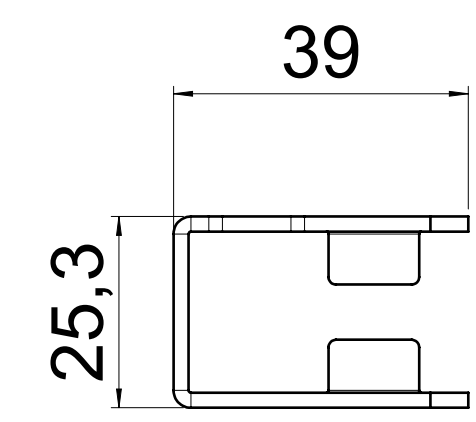
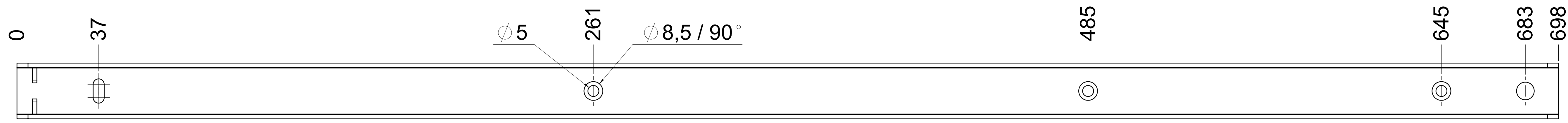
dimensions without coating / maximum coating allowed 0.1mm

X

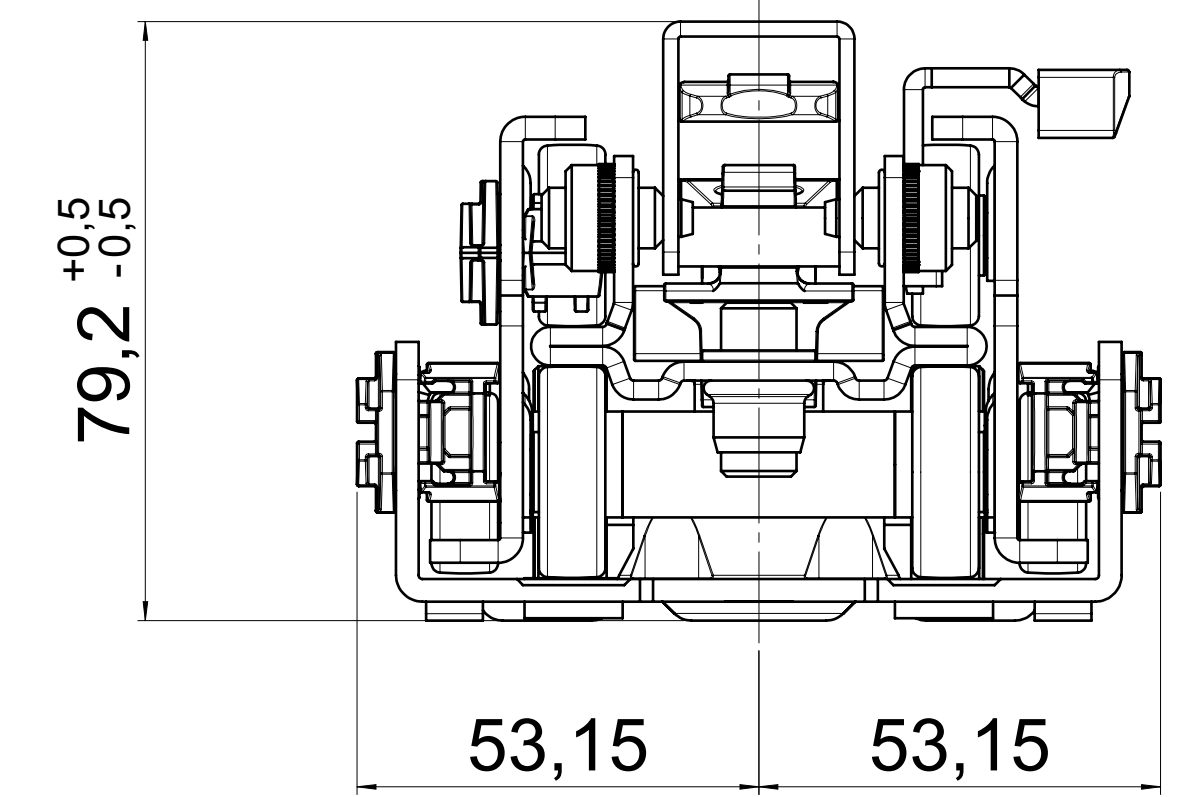
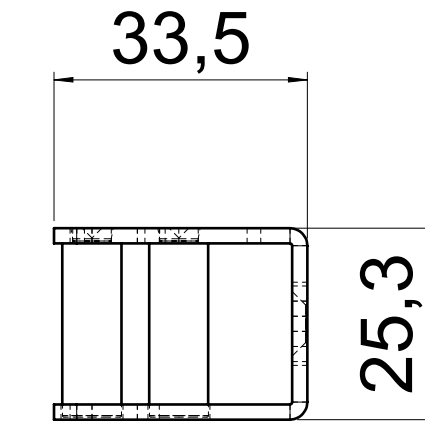
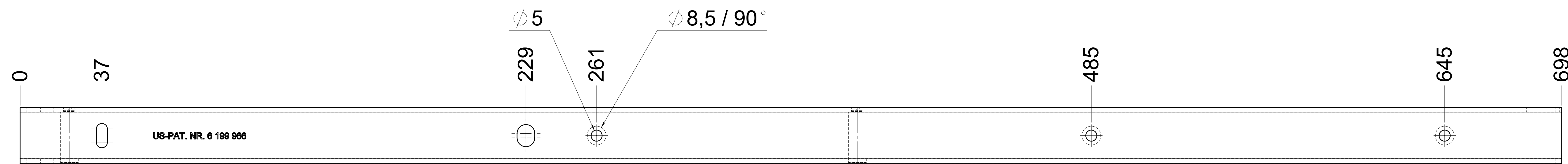
top guide cabinet profile



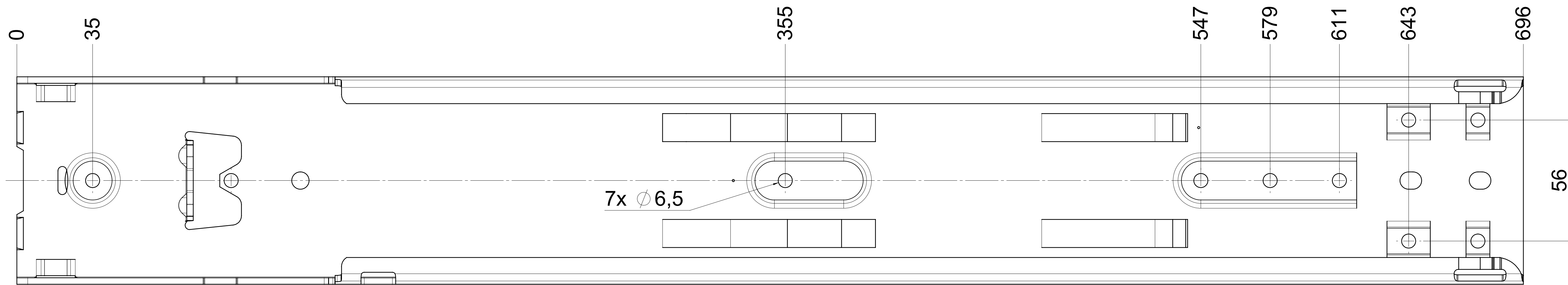
top guide drawer profile



bottom guide drawer profile



bottom guide cabinet profile



final approval

customer name: _____

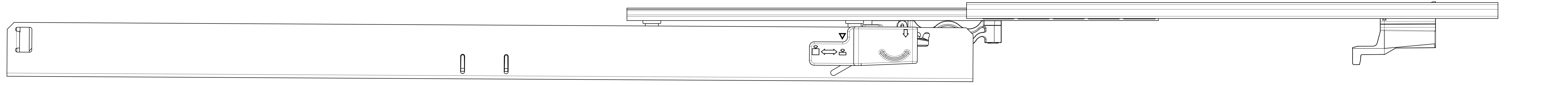
signed by: _____

date: _____

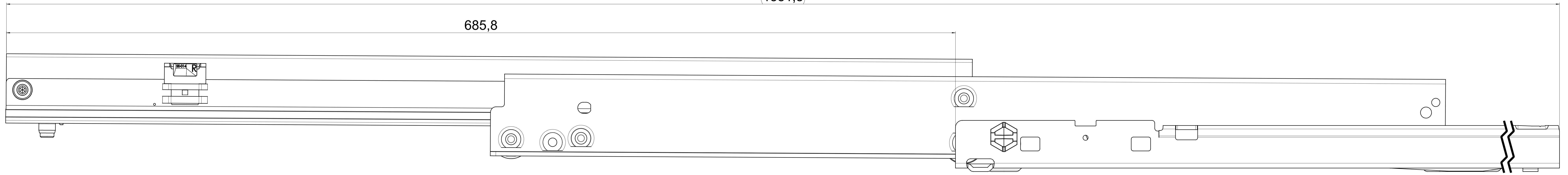
all dimensions in mm				DIN ISO 128-30 missing dimensions see 3D = theor. intersection	
This drawing remains our property and may not be multiplied neither be disclosed to third parties (§§1,3 and 5 from the copyright Act (UrhG)) covered according to DIN ISO 16016				material: semi finished parts: AO	
scale:	1:1	surface:	steel	(technical requirements Filterer)	
drawn:	07-12-2022	name:	GB	description: FR 771A / 70 - EN (mm)	
proven:	00-00-0000	no:	00	progressive-action full-extension drawerslide / bottom mount	
				drawing number: 771A.700-GA.0000	
Filterer AG & Co KG A-6800 Lustenau / Austria Filterer AG CH-8430 St. Margrethen				replaces version 03/16	
changes	date	na.		Friday, 15 February 2023 16:01:24	

dimensions without coating / maximum coating allowed 0.1mm

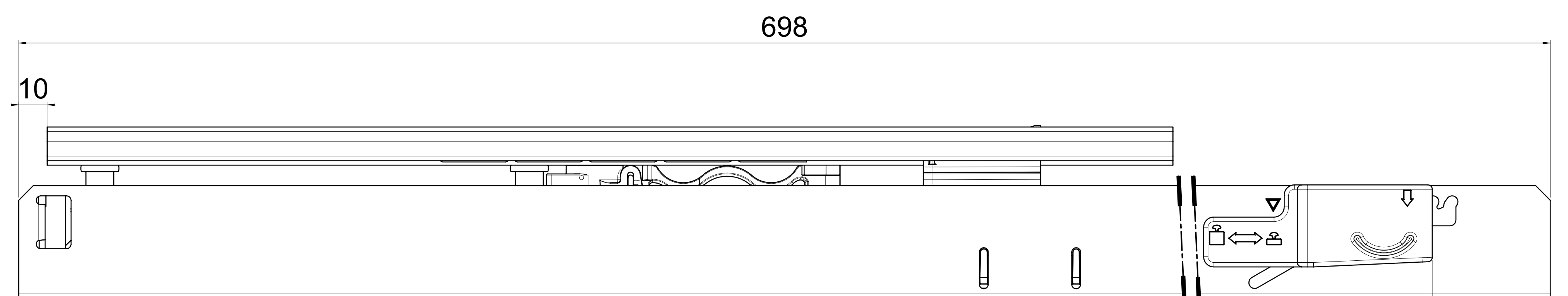
X



(1381,8)



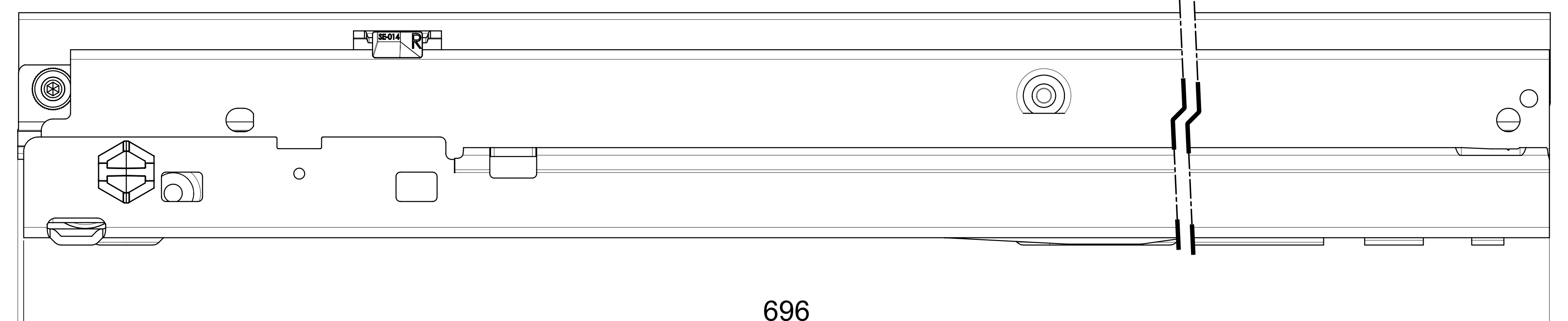
685,8



698

10

min. 21
max. 40



696

2

⚠ = check dimension , next free check number ⚠

final approval

customer name: _____

signed by: _____

date: _____

all dimensions in mm		DIN ISO 128-30 missing dimensions see 3D = theor. intersection	
This drawing remains our property and may not be multiplied neither be disclosed to third parties (§§1,3 and 5 from the copyright Act (UrhG)) covered according to DIN ISO 16016		scale: 1:1	surface: steel (technical requirements Filterer)
drawn 07-12-2022	name GB	material: semi finished parts	AO
proven 00-00-0000	00	description: FR 771A / 70 - EN (mm) progressive-action full-extension drawerslide / bottom mount	
		drawing number: 771A.700-GA.0000	
Filterer AG & Co KG A-6800 Lustenau / Austria Filterer AG CH-8430 St. Margrethen		replaces version 04/16:	
changes	date	na.	