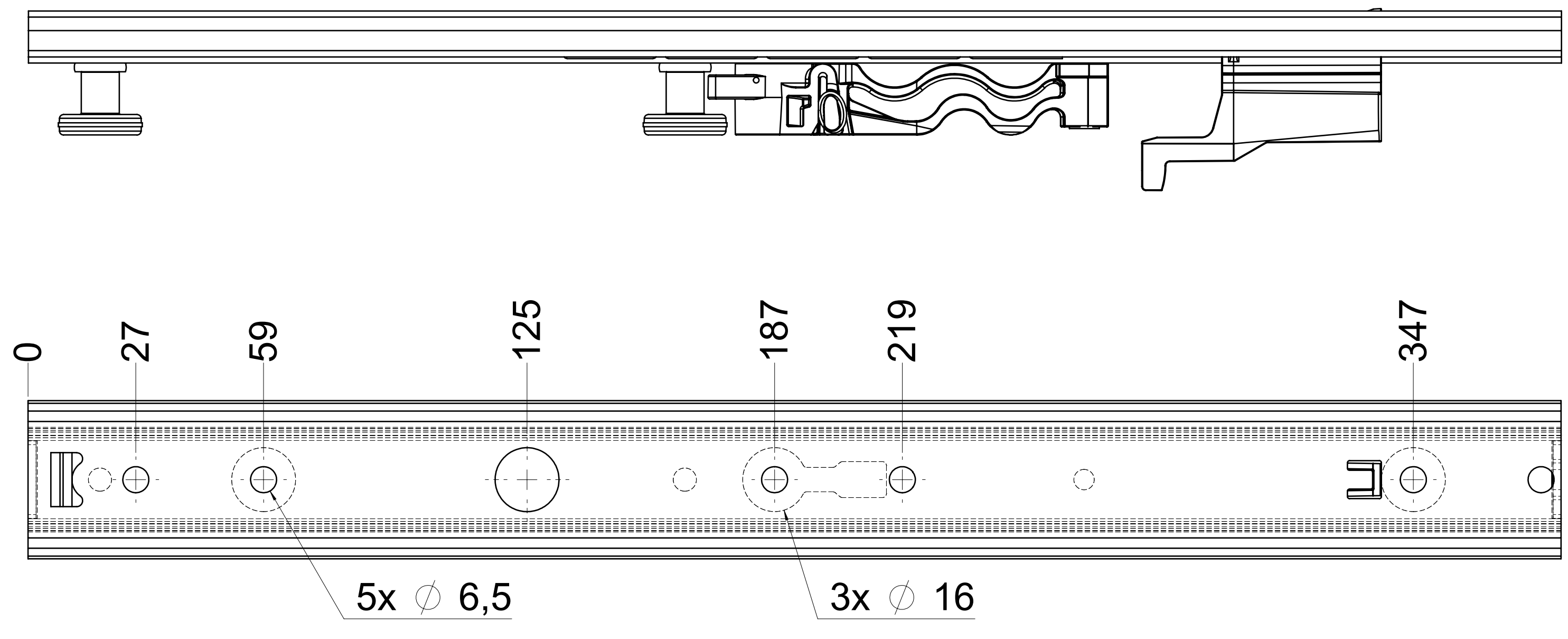
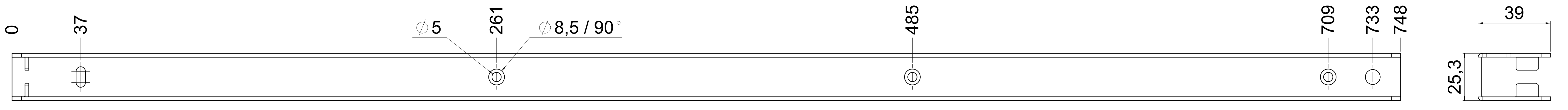


dimensions without coating / maximum coating allowed 0.1mm

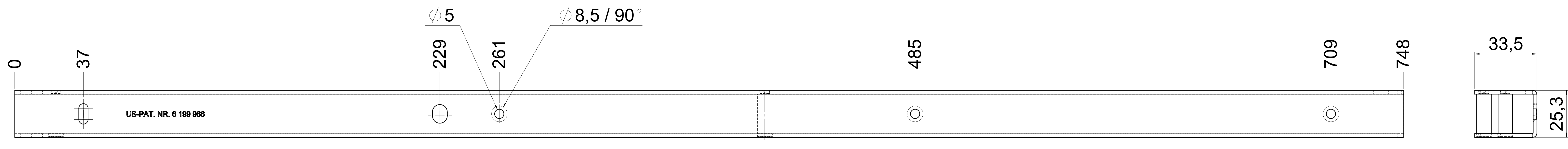
top guide cabinet profile



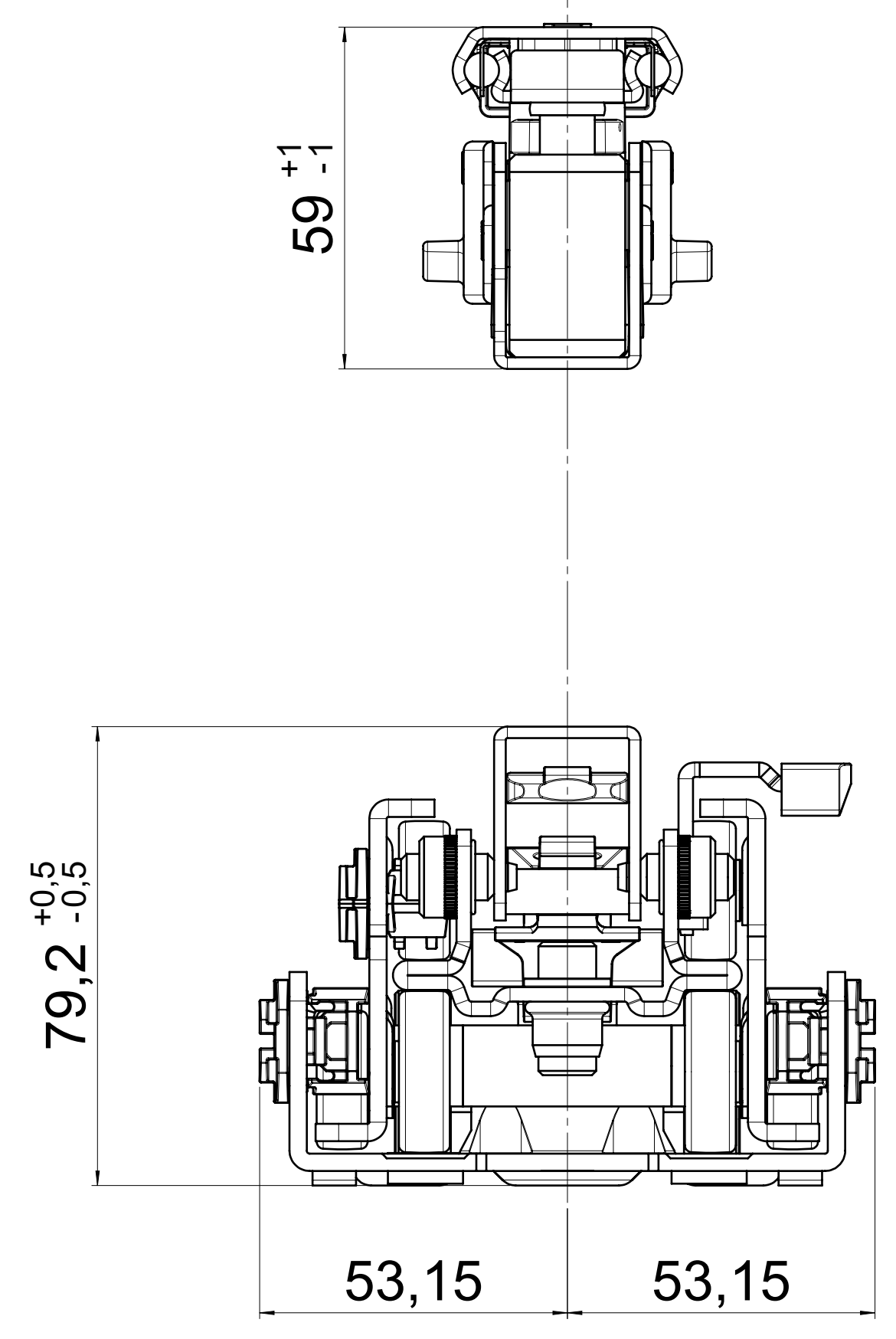
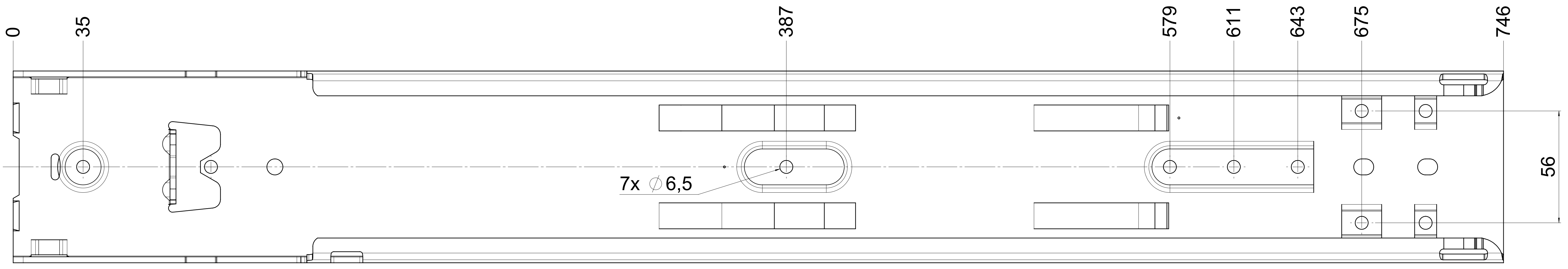
top guide drawer profile



bottom guide drawer profile



bottom guide cabinet profile



⚠ = check dimension, next free check number

final approval

customer name: _____

signed by: _____

date: _____

<p>all dimensions in mm</p> <p>This drawing remains our property and may not be disclosed to third parties (§§1,3 and 5 from the copyright Act (UrhG)). covered according to DIN ISO 16016</p>		<p>DIN ISO 128-30 missing dimensions see 3D = theor. intersection</p>	
scale:	1:1	surface:	steel (technical requirements Filterer)
material:	semi finished parts	description:	FR 771A / 75 EN (mm) progressive-action full-extension drawerslide / bottom mount
drawn:	07-12-2022	name:	GB
proven:	00-00-0000	date:	00
<p>Filterer</p> <p>Filterer AG & Co KG A-6800 Lustenau / Austria CH-8430 St. Margrethen</p>		<p>drawing number: 771A.750-GA.0000 replaces version 0416:</p>	
changes:	date:	na:	na:

