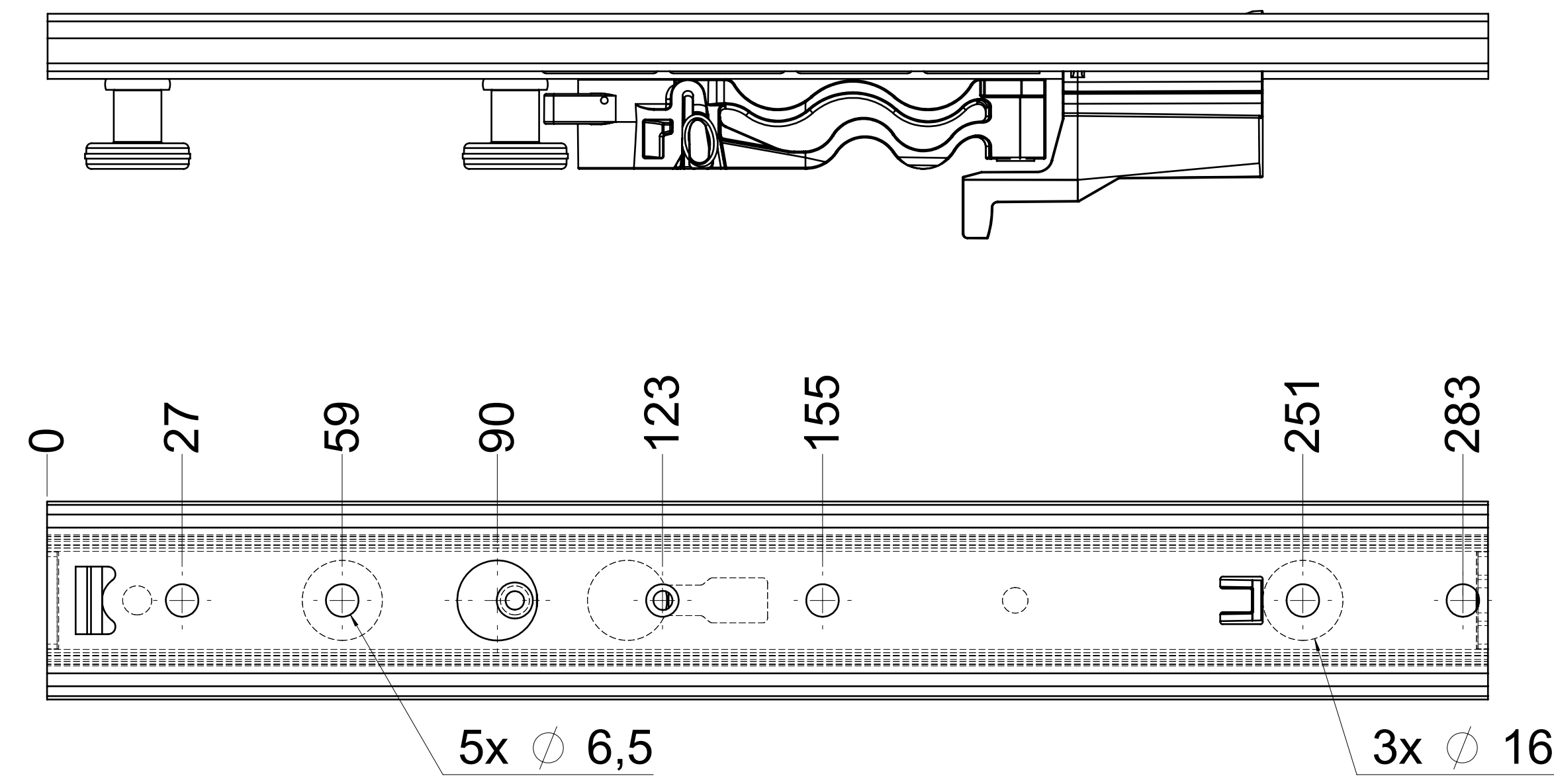
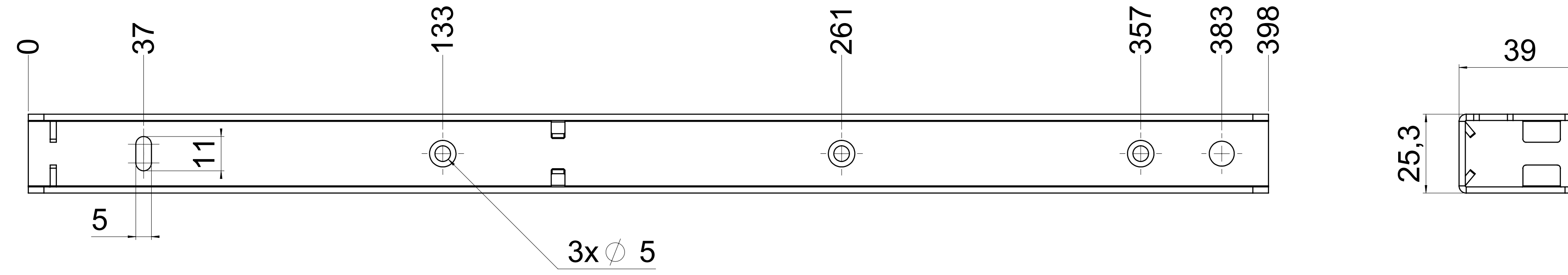


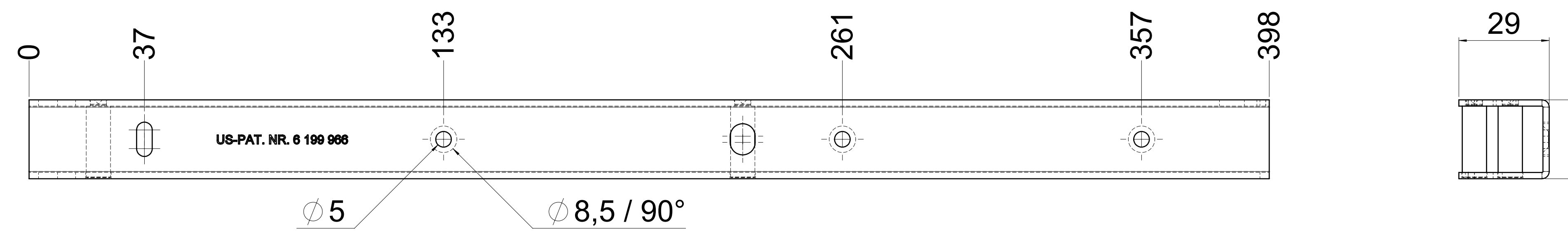
top guide cabinet profile



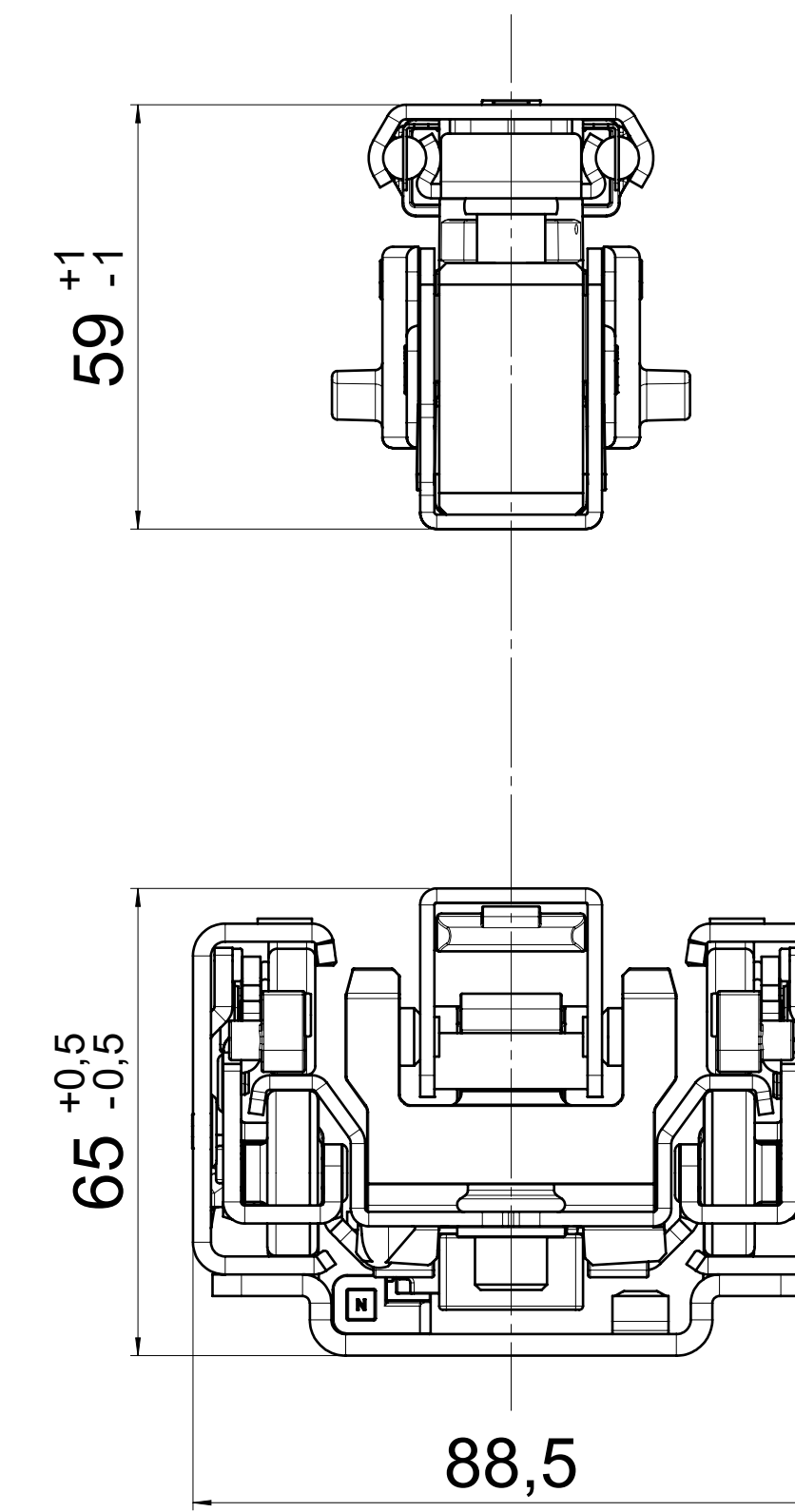
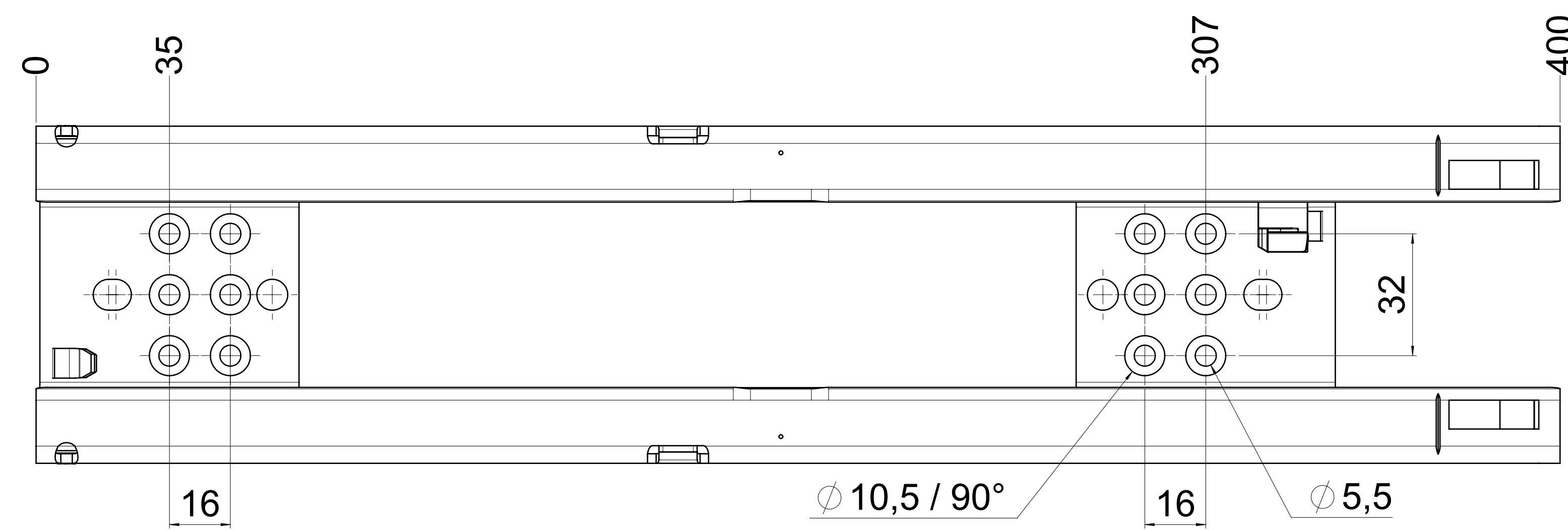
top guide drawer profile



bottom guide drawer profile



bottom guide cabinet profile



**final approval**

customer name:

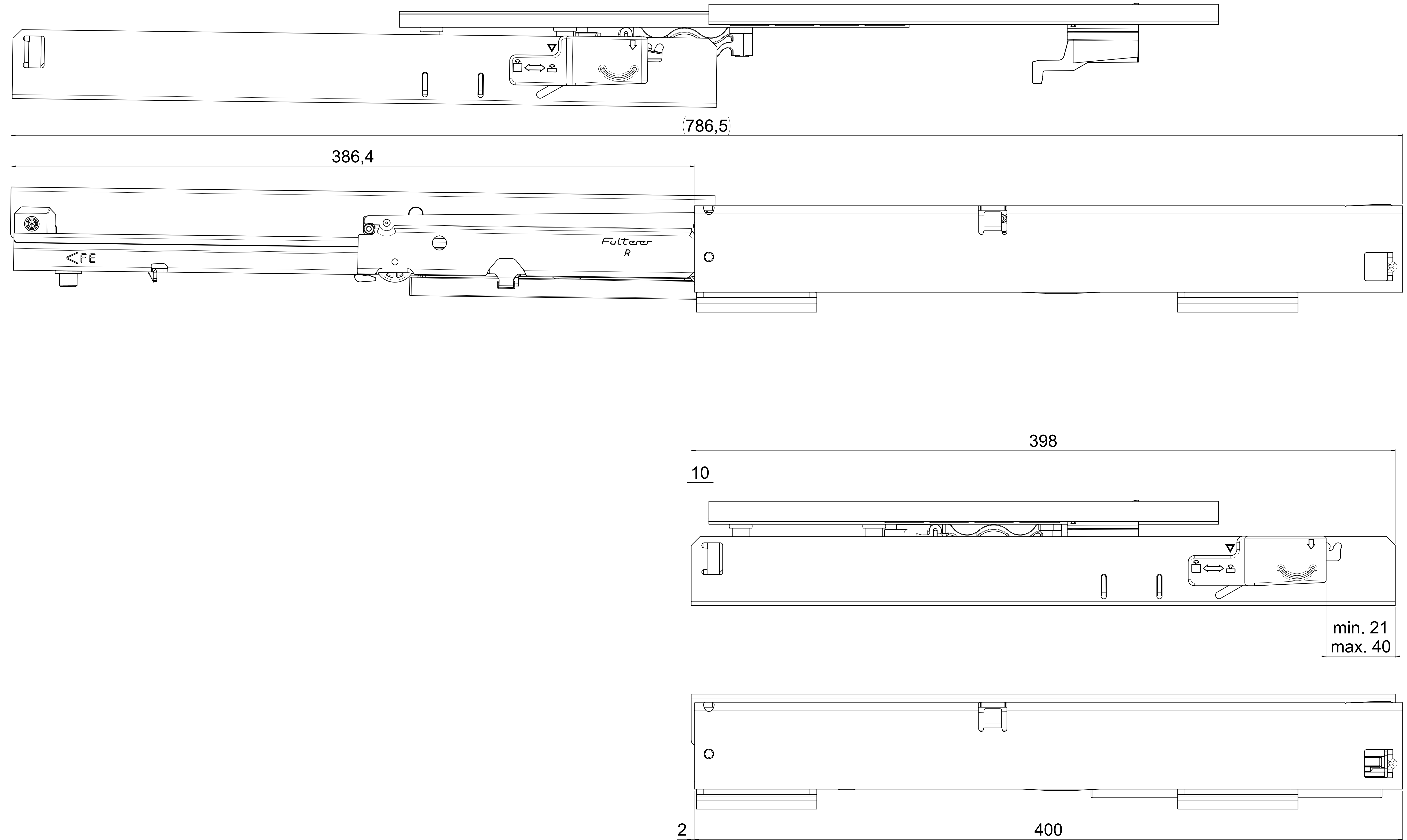
signed by:

date:

all dimensions in mm		DIN ISO 128-30 missing dimensions see 3D = theor. intersection	
This drawing remains our property and may not be multiplied neither be disclosed to third parties (§§1,3 and 5 from the copyright Act (UrhG)). covered according to DIN ISO 16015		scale:	surface:
		1:1	steel (technical requirements Filterer)
		date:	name:
		drawn 07-12-2022	GB
		proven 00-00-0000	00
		description: FR 775A / 40 - EN (mm) progressive-action full-extension drawerslide / bottom mount	
		<b>Filterer</b>	
		drawing number: 775A.400-GA.0000	
		replaces version 03/02	
changes	date	na.	

dimensions without coating / maximum coating allowed 0.1mm

X



**final approval**

customer name: \_\_\_\_\_

signed by: \_\_\_\_\_

date: \_\_\_\_\_

**page 2 of 2** ⚠ = check dimension , next free check number ⚠

**all dimensions in mm**

© DIN ISO 128-30  
missing dimensions see 3D  
= theor. intersection

This drawing remains our property and may not be disclosed to third parties (§§1,3 and 5 from the copyright Act (UrHG))  
covered according to DIN ISO 16016

scale:	1:1	surface:	steel
material:	semi finished parts		AO
drawn:	07-12-2022	name:	GB
proven:	00-00-0000	description:	FR 775A / 40 - EN (mm)
			progressive-action full-extension
			drawerslide / bottom mount
		drawing number:	775A.400-GA.0000
		replaces version:	04/00

**Filterer**

Filterer AG & Co KG  
A-6800 Lustenau / Austria  
CH-8430 St. Margrethen

replaces version 04/00

© Montag, 31. Januar 2023 15:14:28