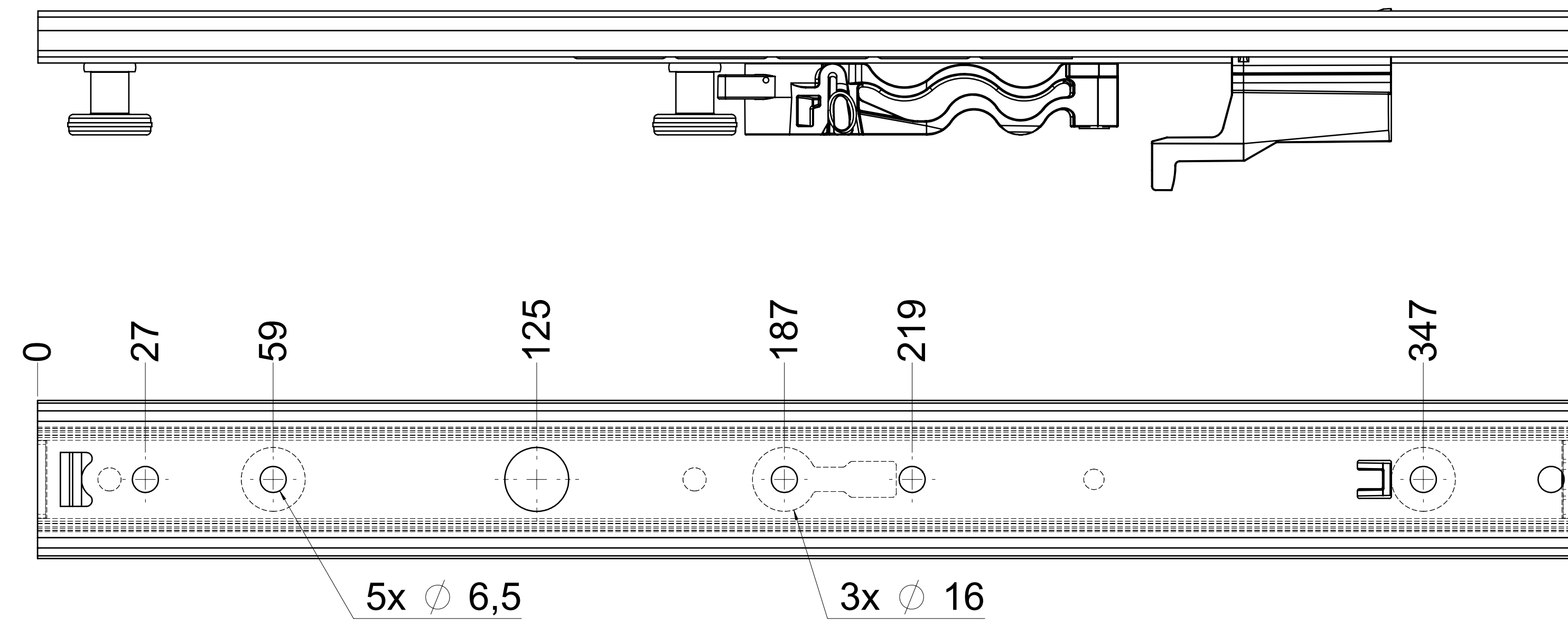


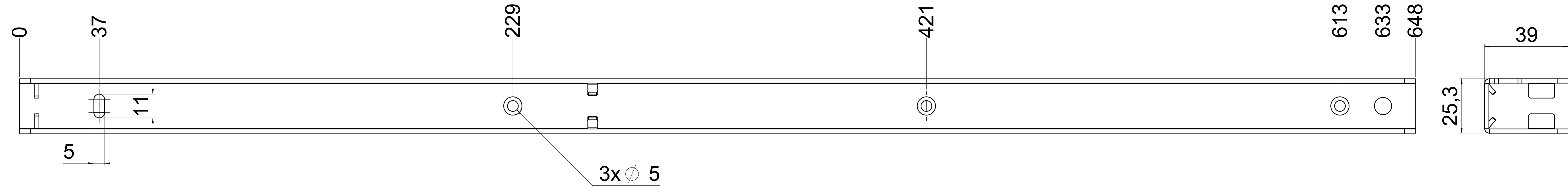
dimensions without coating / maximum coating allowed 0.1mm

X

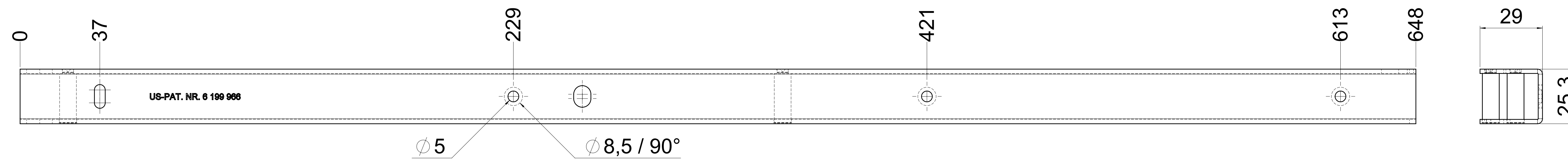
top guide cabinet profile



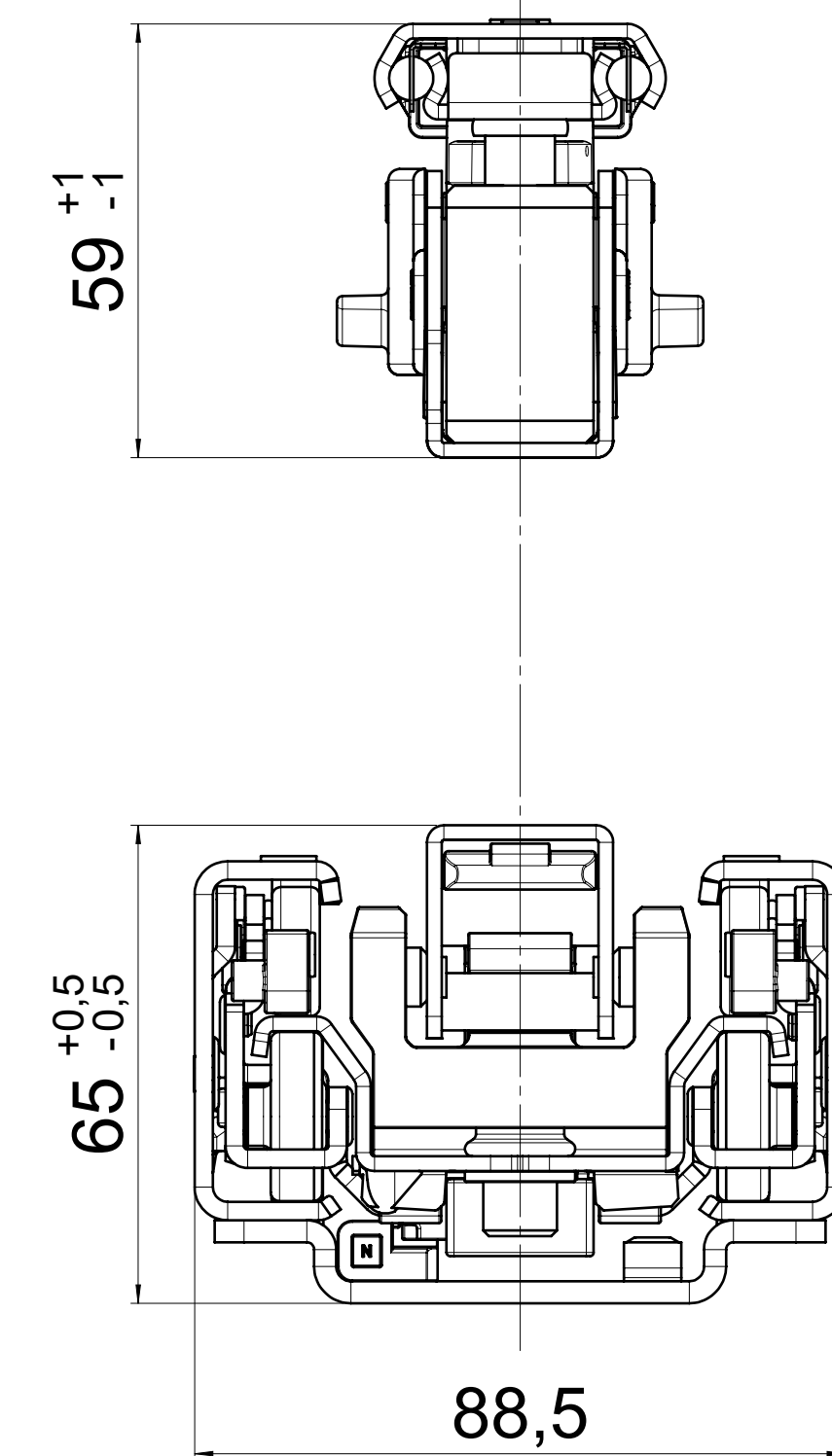
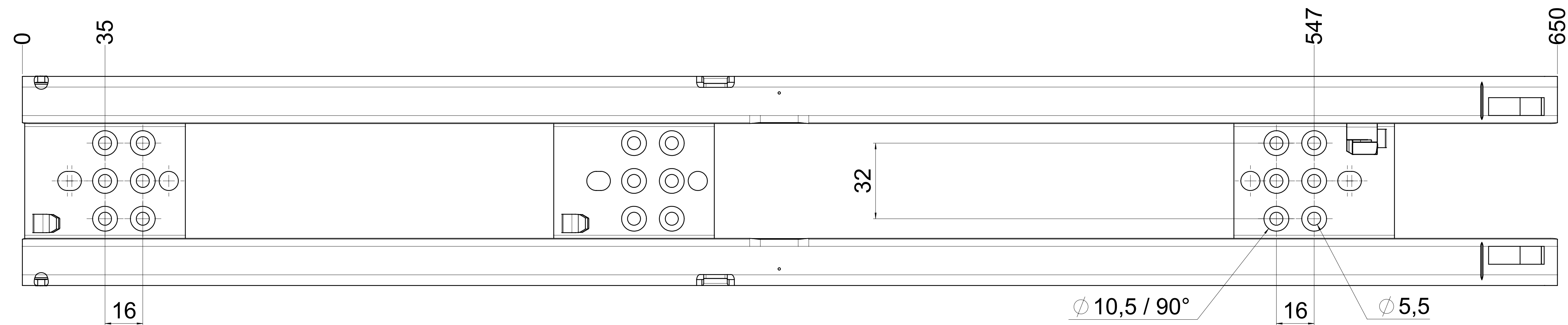
top guide drawer profile



bottom guide drawer profile



bottom guide cabinet profile



final approval

customer name: _____
 signed by: _____
 date: _____

page 1 of 2

all dimensions in mm

This drawing remains our property and may not be multiplied neither be disclosed to third parties (§§1,3 and 5 from the copyright Act (UrhG)). covered according to DIN ISO 16015

scale:	1:1	surface:	steel
date:	07-12-2022	name:	GB
drawn:	07-12-2022	name:	GB
proven:	09-09-2020	name:	GB

material: semi finished parts: **AO**
 (technical requirements Filterer)
 description: FR 775A / 65 - EN (mm)
 progressive-action full-extension
 drawerslide / bottom mount

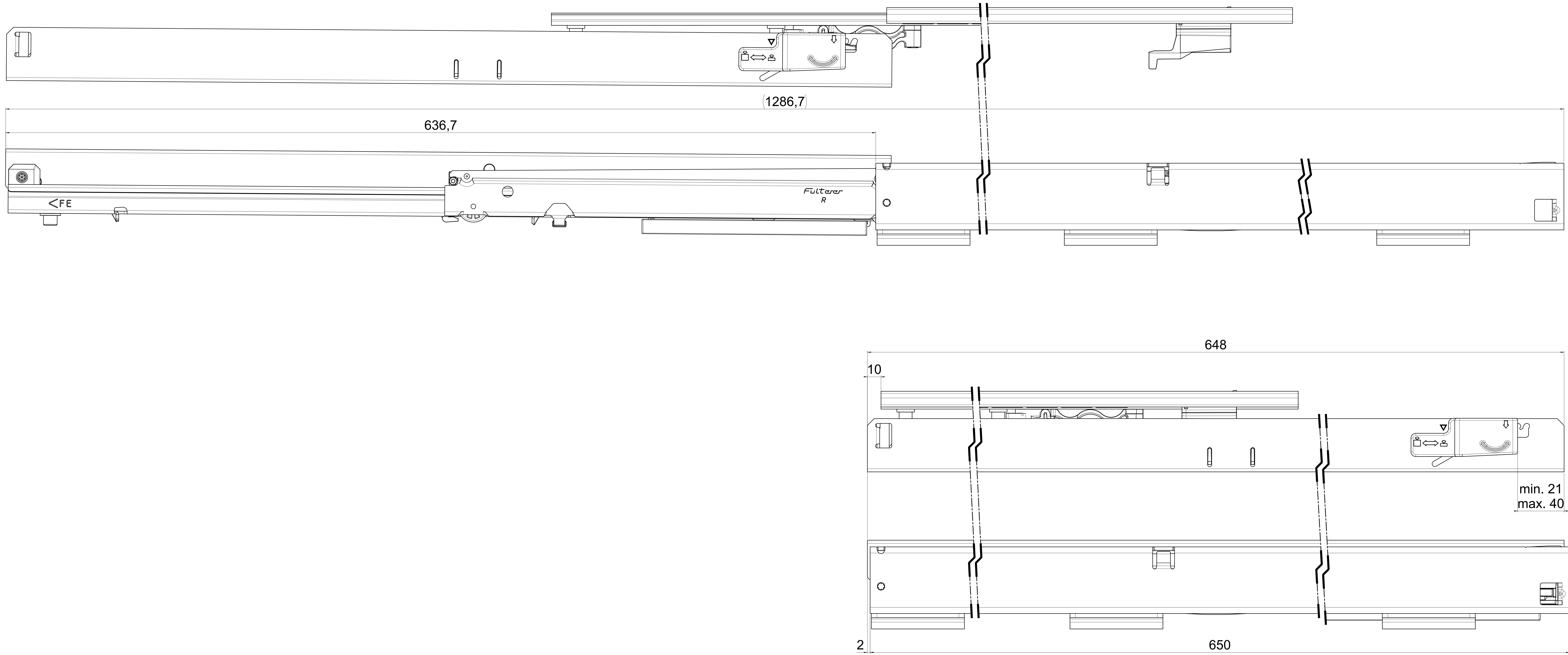
Filterer
 Filterer AG & Co KG
 A-6890 Lustenau / Austria
 C14-8430 St. Margrethen

drawing number: **775A.650-GA.0000**
 replaces version 03/02

changes: _____ date: _____ na: _____
 created: 01. Jänner 2023 15:37:11
 created by: helmut.kobler

dimensions without coating / maximum coating allowed 0.1mm

X



final approval

customer name: _____

signed by: _____

date: _____

page 2 of 2 ⚠ = check dimension , next free check number ⚠

all dimensions in mm

customer name: _____

signed by: _____

date: _____

all dimensions in mm

This drawing remains our property and may not be multiplied neither be disclosed to third parties (§§1,3 and 5 from the copyright Act (UrhG)) covered according to DIN ISO 15016

scale:	1:1	surface:	steel
drawn:	07-12-2022	name:	GB
proven:	00-00-0000	description:	FR 775A / 65 - EN (mm)
			progressive-action full-extension drawerslide / bottom mount

Fulterer AG & Co KG
A-6800 Lustenau / Austria
C14-8430 St. Margrethen

drawing number: **775A.650-GA.0000**
replaces version 04/16

© DIN ISO 128-30 missing dimensions see 3D = theor. intersection

material: semi finished parts

AO