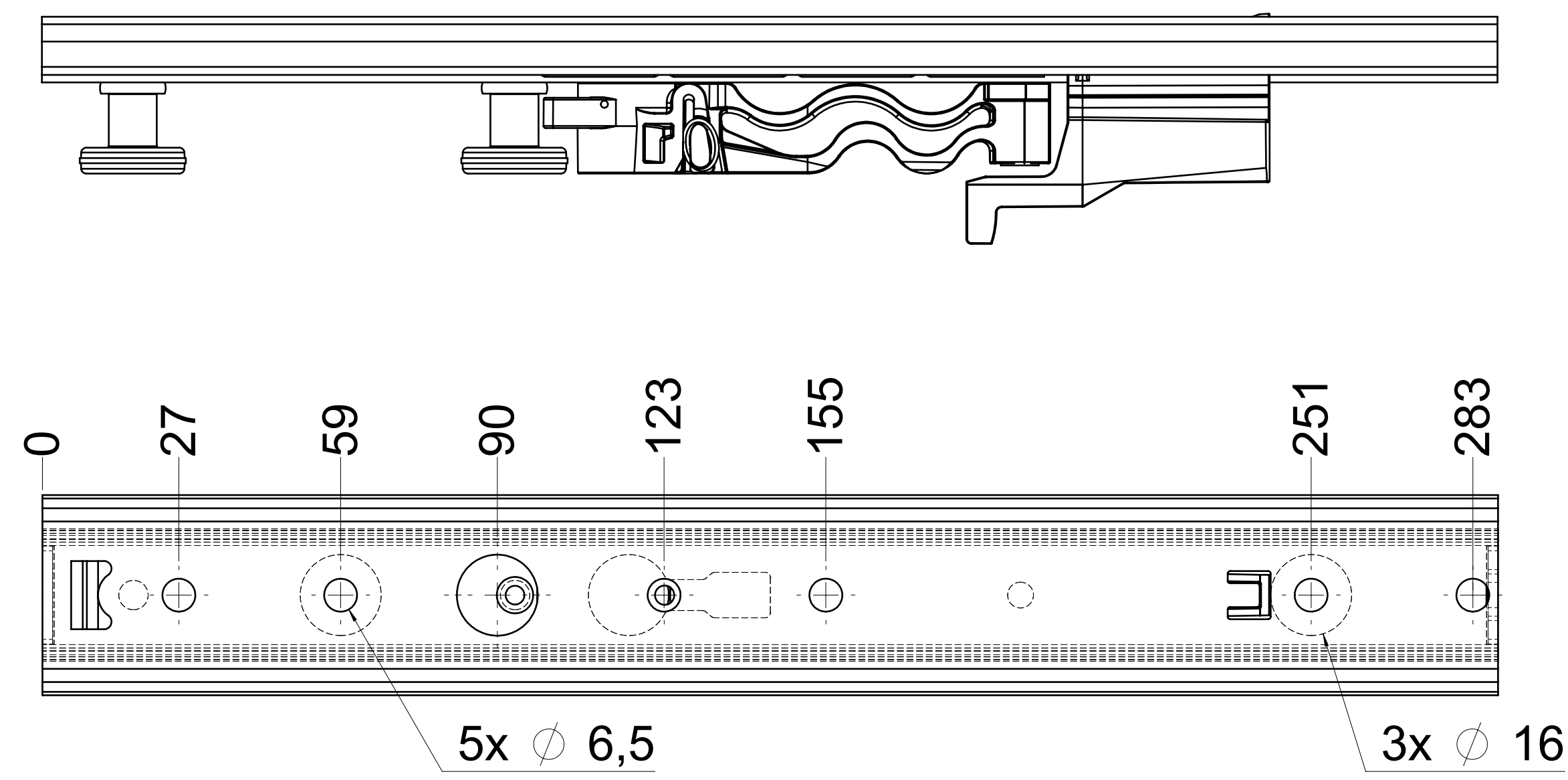
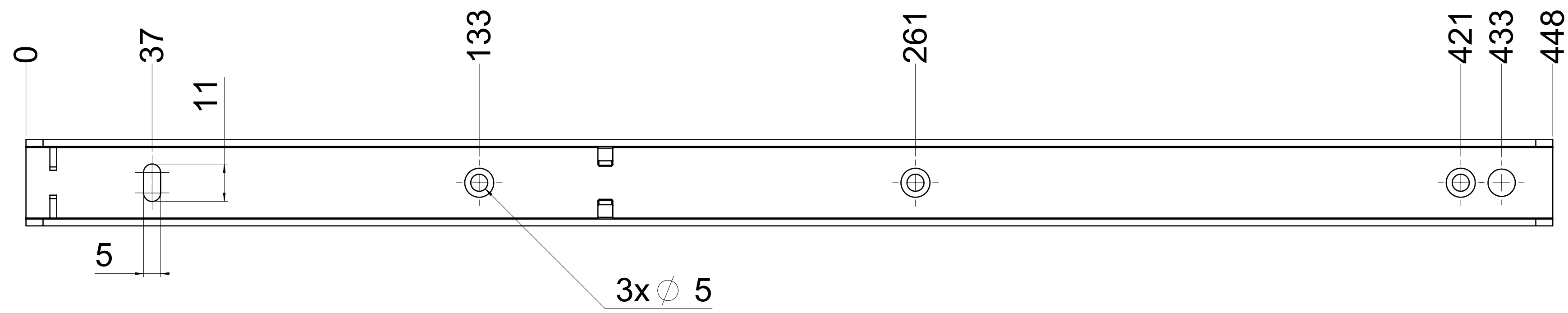


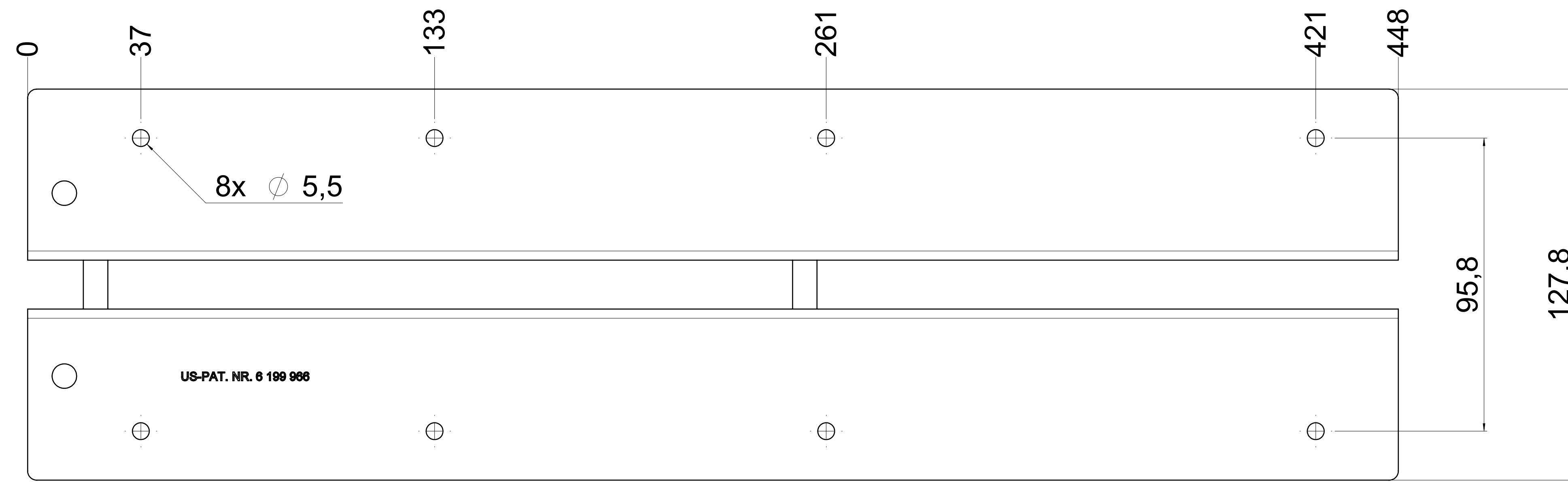
top guide cabinet profile



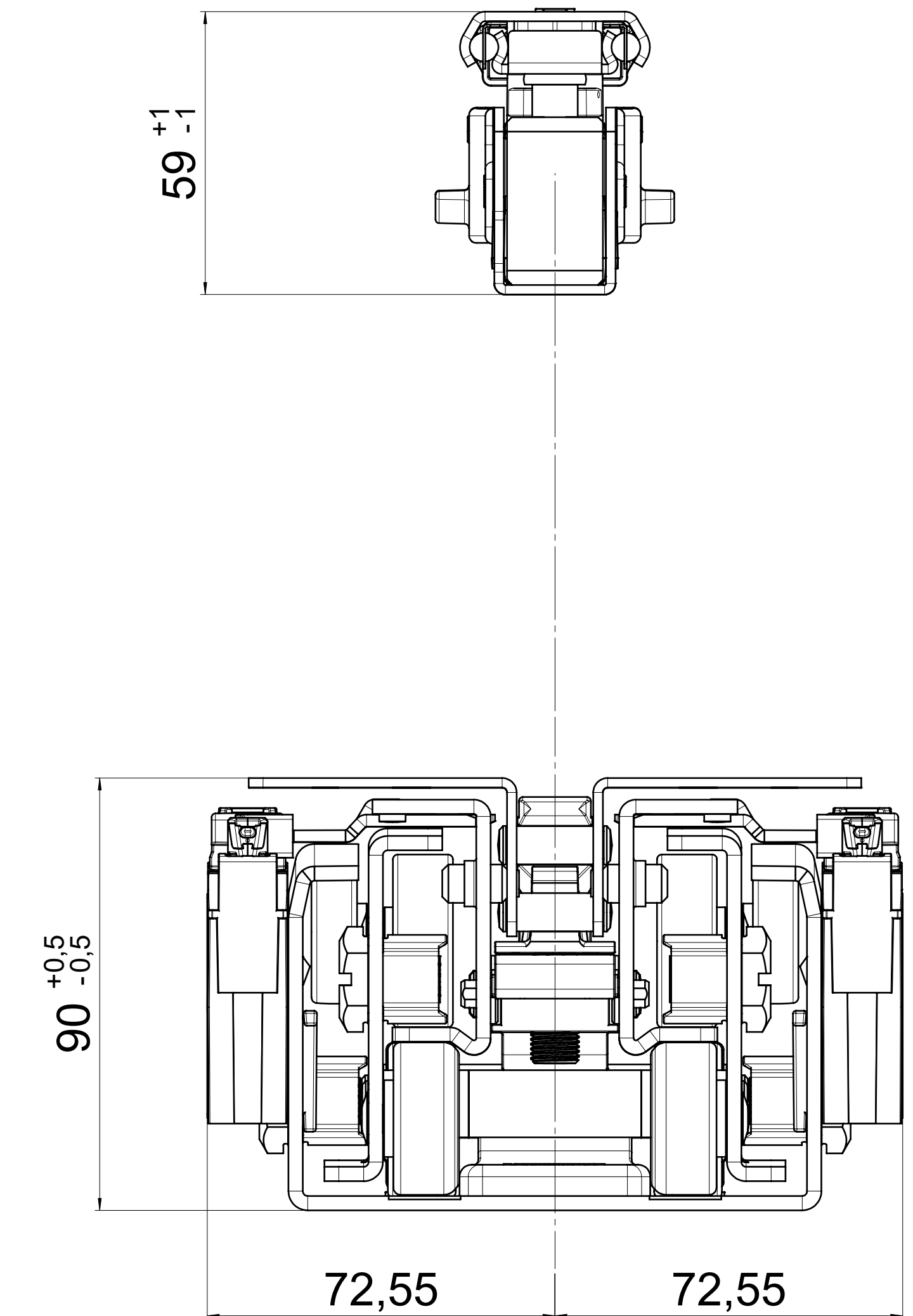
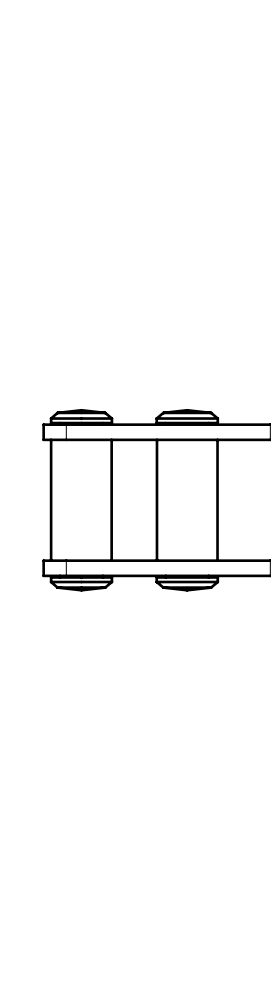
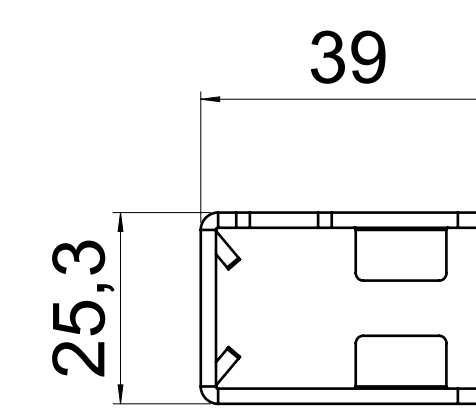
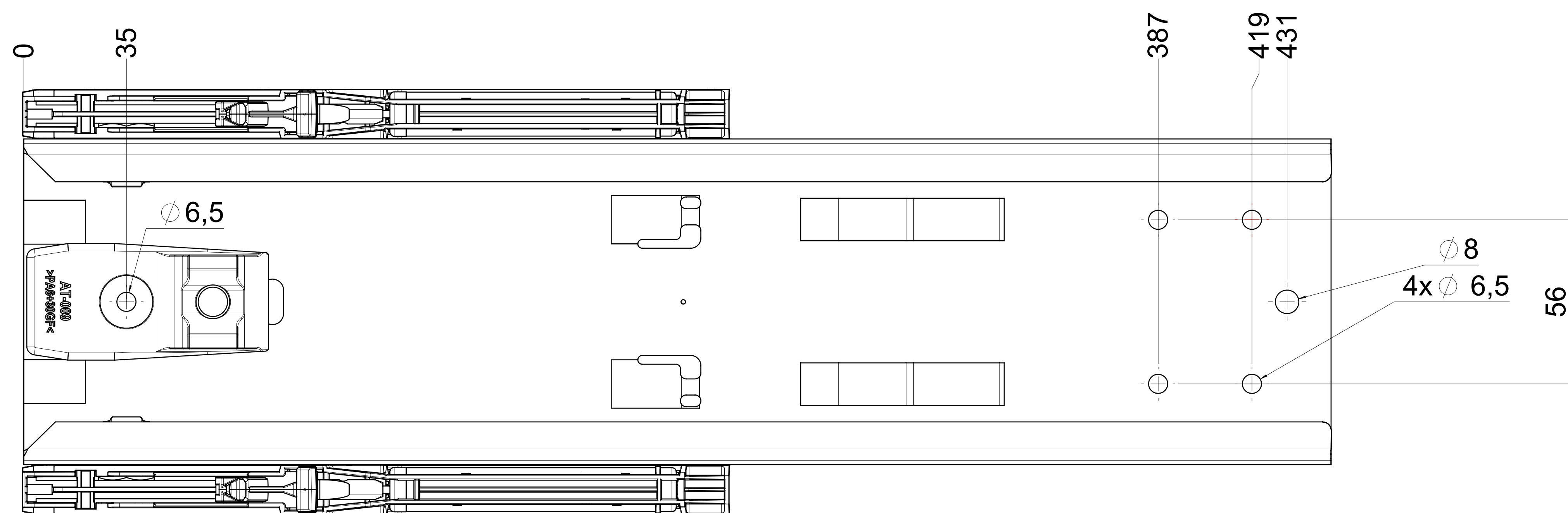
top guide drawer profile



bottom guide drawer profile



bottom guide cabinet profile



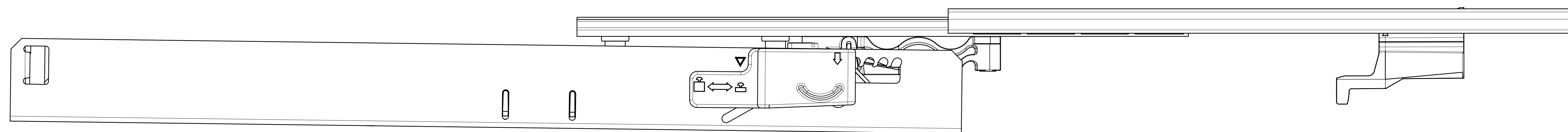
final approval

customer name:

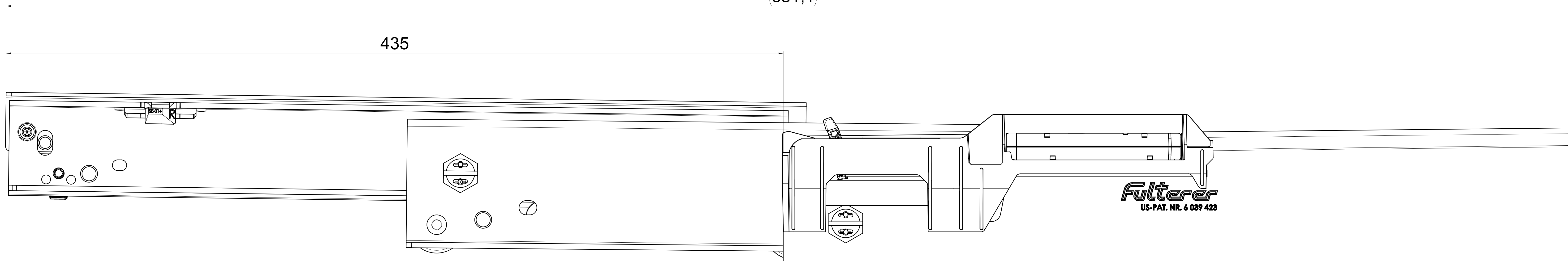
signed by:

date:

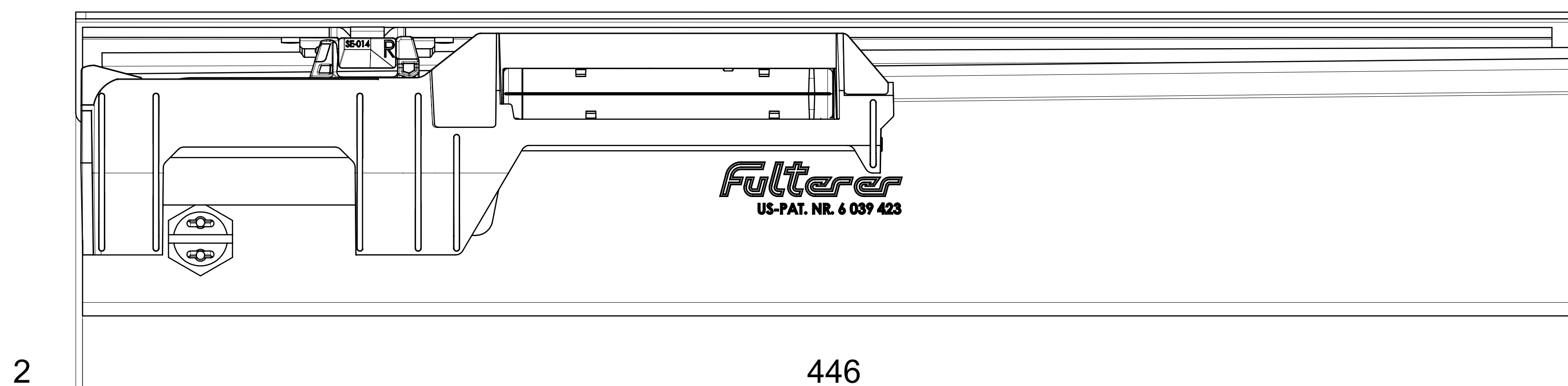
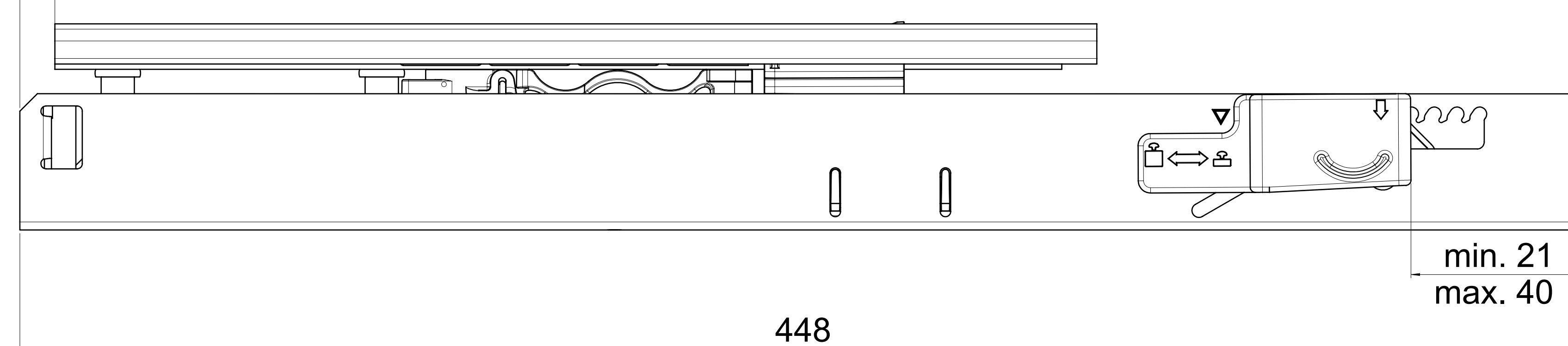
all dimensions in mm		DIN ISO 128-30 missing dimensions see 3D = theor. intersection	
This drawing remains our property and may not be multiplied neither be disclosed to third parties (§§1,3 and 5 from the copyright Act (UrhG)). covered according to DIN ISO 15015		scale:	surface:
1:1	steel	material, semi finished parts: AO	
drawn 21.11.2021	name GB	(technical requirements Fulterer)	
proven 00-00-0000	00	description:	
FR 777A / 45 - EN (mm)		progressive-action full-extension	
drawerslide / bottom mount		drawing number:	
Fulterer AG & Co KG		777A.450-GA.0000	
A-680 Lustenau / Austria		replaces version 03/02	
C14-8430 St. Margarethen		replaces version 03/02	
changes	date	na.	na.



881,1



10



final approval

customer name:

signed by:

date:

all dimensions in mm

This drawing remains our property and may not be disclosed to third parties (§§1,3 and 5 from the copyright Act (UrhG)) covered according to DIN ISO 15016

scale:	1:1	surface:	steel
material:	semi finished parts	material:	steel
description:	FR 777A / 45 - EN (mm)	description:	progressive-action full-extension drawerslide / bottom mount
drawing number:	777A.450-GA.0000	drawing number:	777A.450-GA.0000
replaces version GB:		replaces version GB:	

DIN ISO 128-30
missing dimensions see 3D
= theor. intersection

no.	changes	date	na.
1			
2			
3			
4			
5			
6			
7			
8			
9			
10			