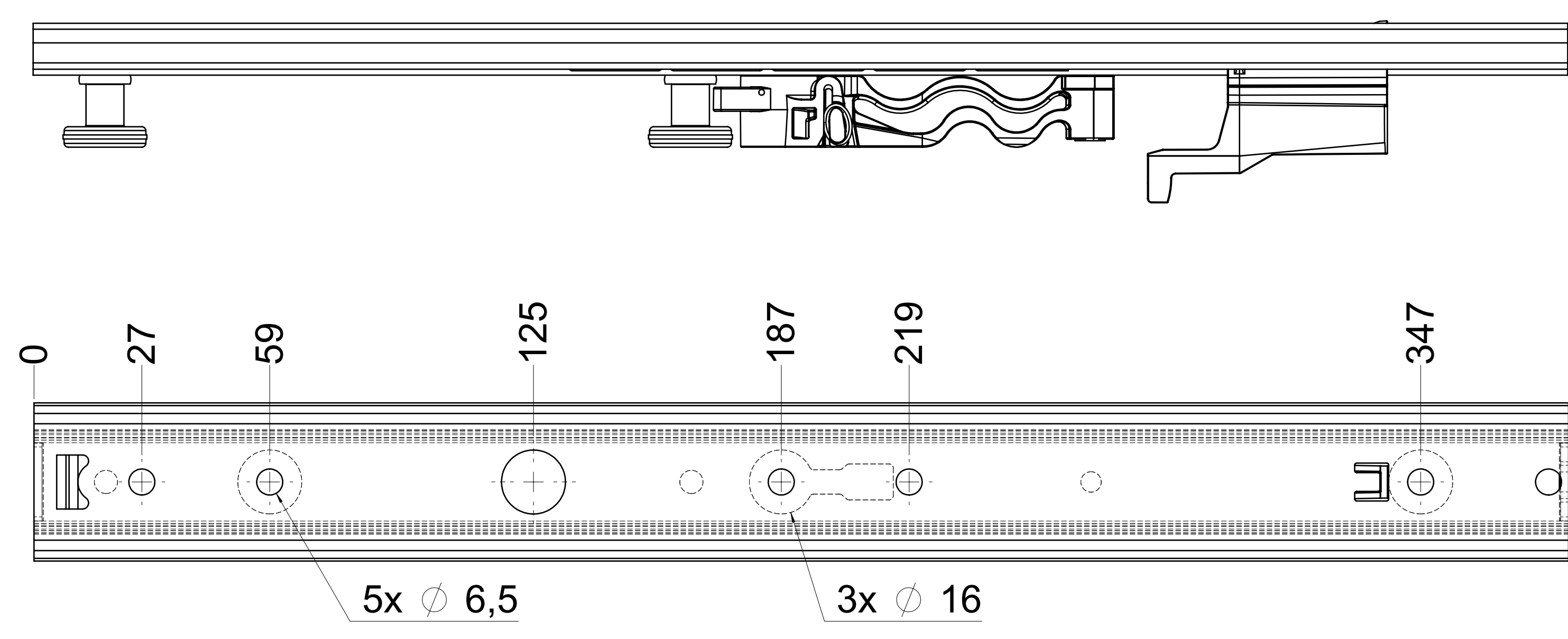
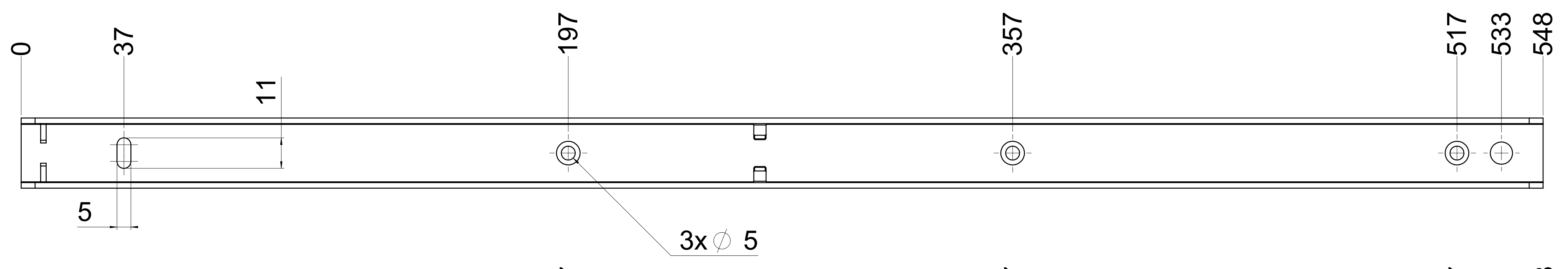


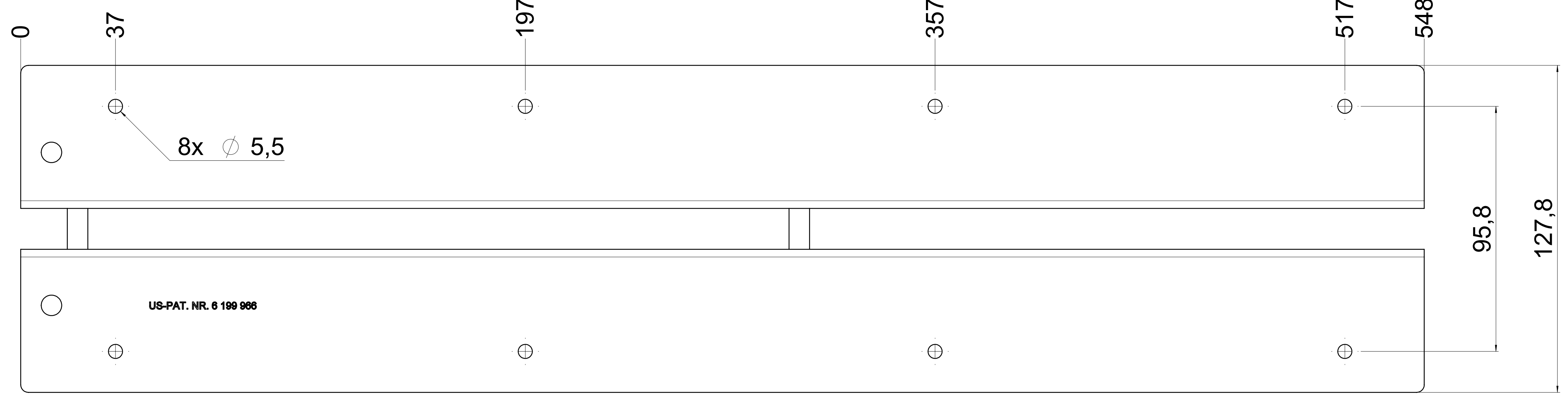
top guide cabinet profile



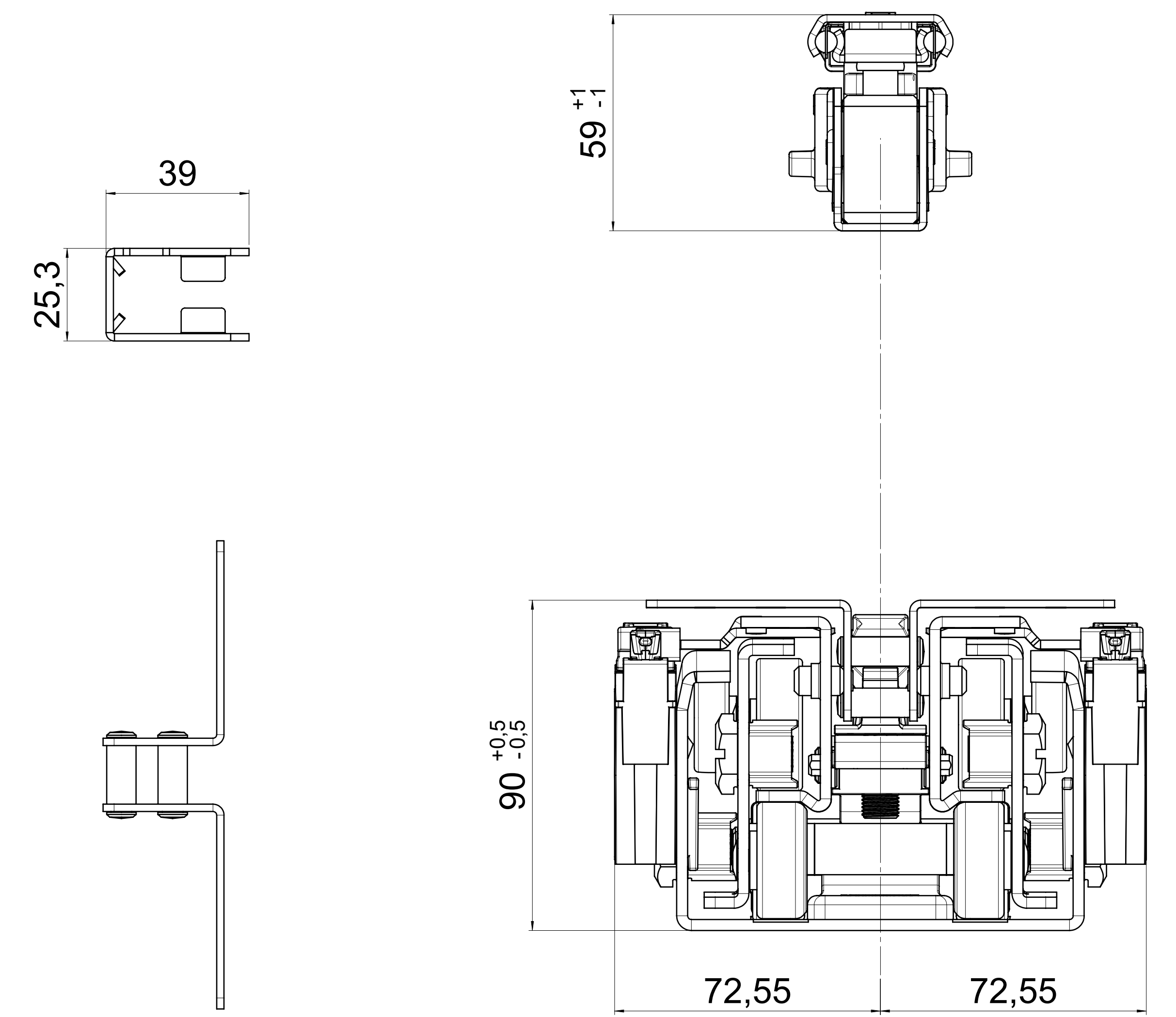
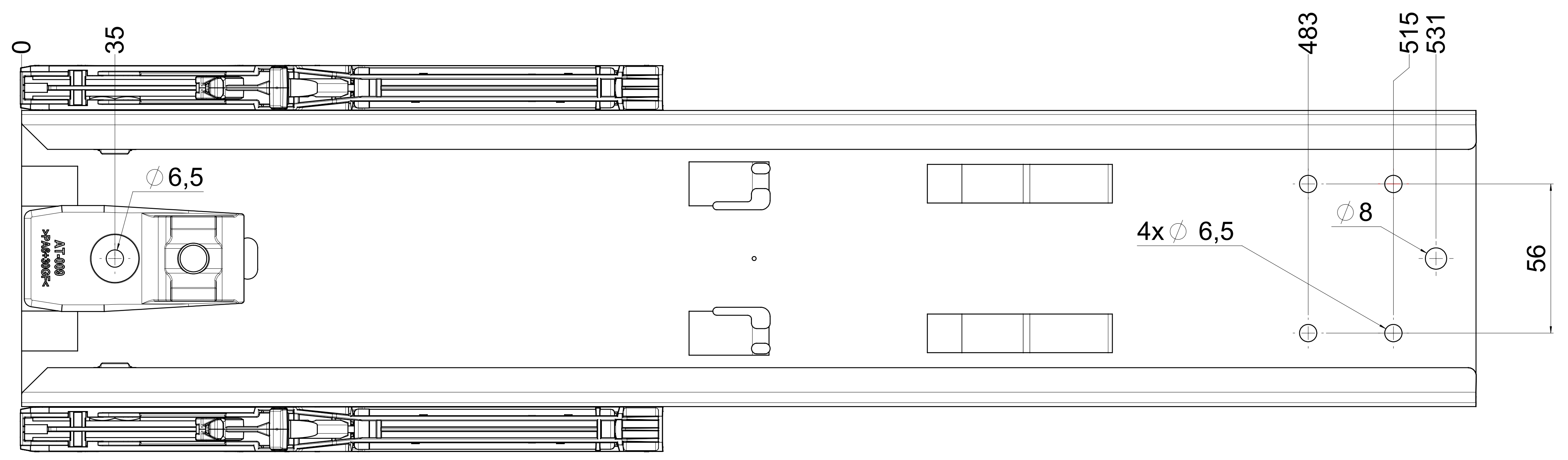
top guide drawer profile



bottom guide drawer profile



bottom guide cabinet profile



**final approval**

customer name:

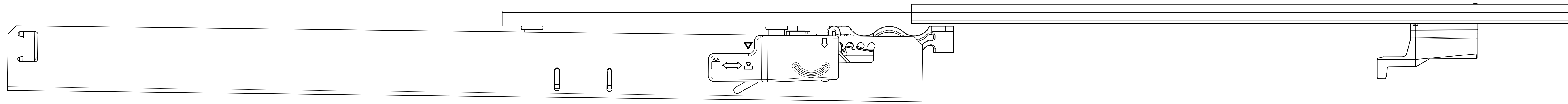
signed by:

date:

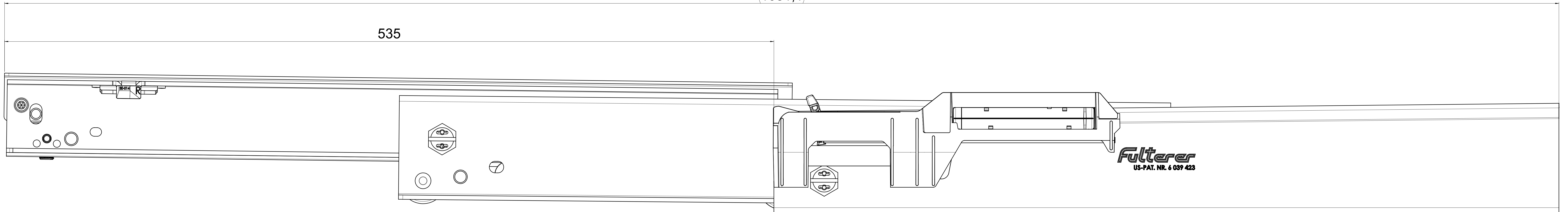
all dimensions in mm			
This drawing remains our property and may not be multiplied neither be disclosed to third parties (§§1,3 and 5 from the copyright Act (UrHGB)) covered according to DIN ISO 15016		scale:	surface:
		1:1	steel
		date:	(technical requirements Fulterer)
		drawn: 21-11-2022	FR 777A / 55 EN (mm)
		proven: 00-00-0000	progressive-action full-extension drawerslide / bottom mount
		<b>Fulterer</b>	
		drawing number:	
		777A.550-GA.0000	
		replaces version 531c:	
		material: semi finished parts:	
		AO	
		DIN ISO 128-30	
		missing dimensions see 3D	
		= theor. intersection	
		FR 777A / 55 EN (mm)	
		progressive-action full-extension drawerslide / bottom mount	
		drawing number:	
		777A.550-GA.0000	
		replaces version 531c:	
		material: semi finished parts:	
		AO	
		DIN ISO 128-30	
		missing dimensions see 3D	
		= theor. intersection	
		FR 777A / 55 EN (mm)	
		progressive-action full-extension drawerslide / bottom mount	
		drawing number:	
		777A.550-GA.0000	
		replaces version 531c:	

dimensions without coating / maximum coating allowed 0.1mm

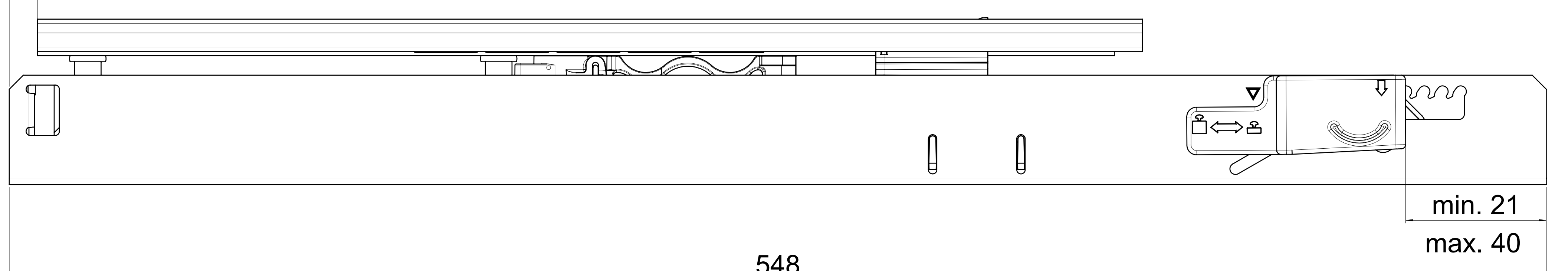
X



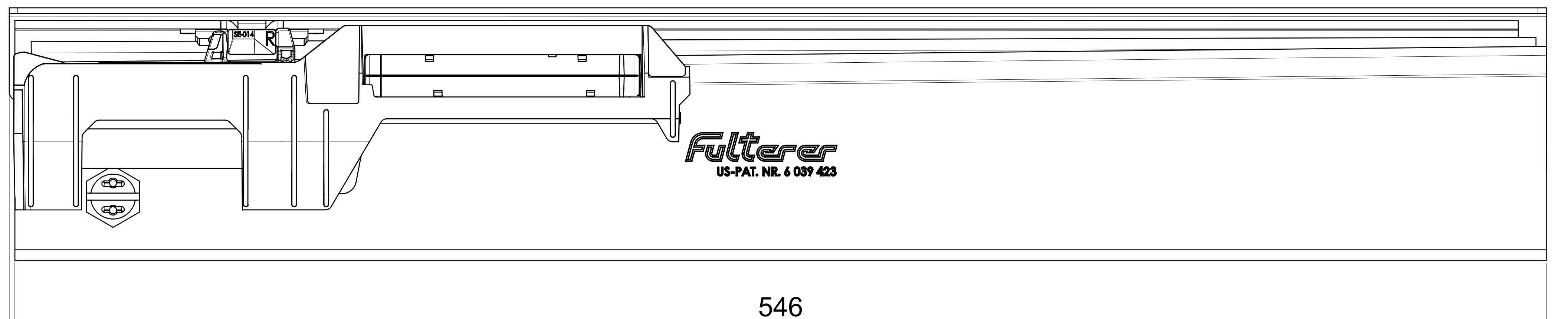
1081,1



10



2



⚠ = check dimension , next free check number

**final approval**

customer name: \_\_\_\_\_

signed by: \_\_\_\_\_

date: \_\_\_\_\_

<b>all dimensions in mm</b>		DIN ISO 128-30 missing dimensions see 3D = theor. intersection	
This drawing remains our property and may not be multiplied neither be disclosed to third parties (§§1,3 and 5 from the copyright Act (UrhG)) covered according to DIN ISO 16016			
scale:	1:1	surface:	steel (technical requirements Filterer)
drawn:	21-11-2022	name:	GB
proven:	00-00-0000	description:	FR 777A / 55 EN (mm) progressive-action full-extension drawerslide / bottom mount
		drawing number:	777A.550-GA.0000
Filterer AG & Co KG A-6800 Lustenau / Austria Filterer AG CH-8430 St. Margrethen		replaces version 0416:	
changes	date	na.	inhalts beibehalten