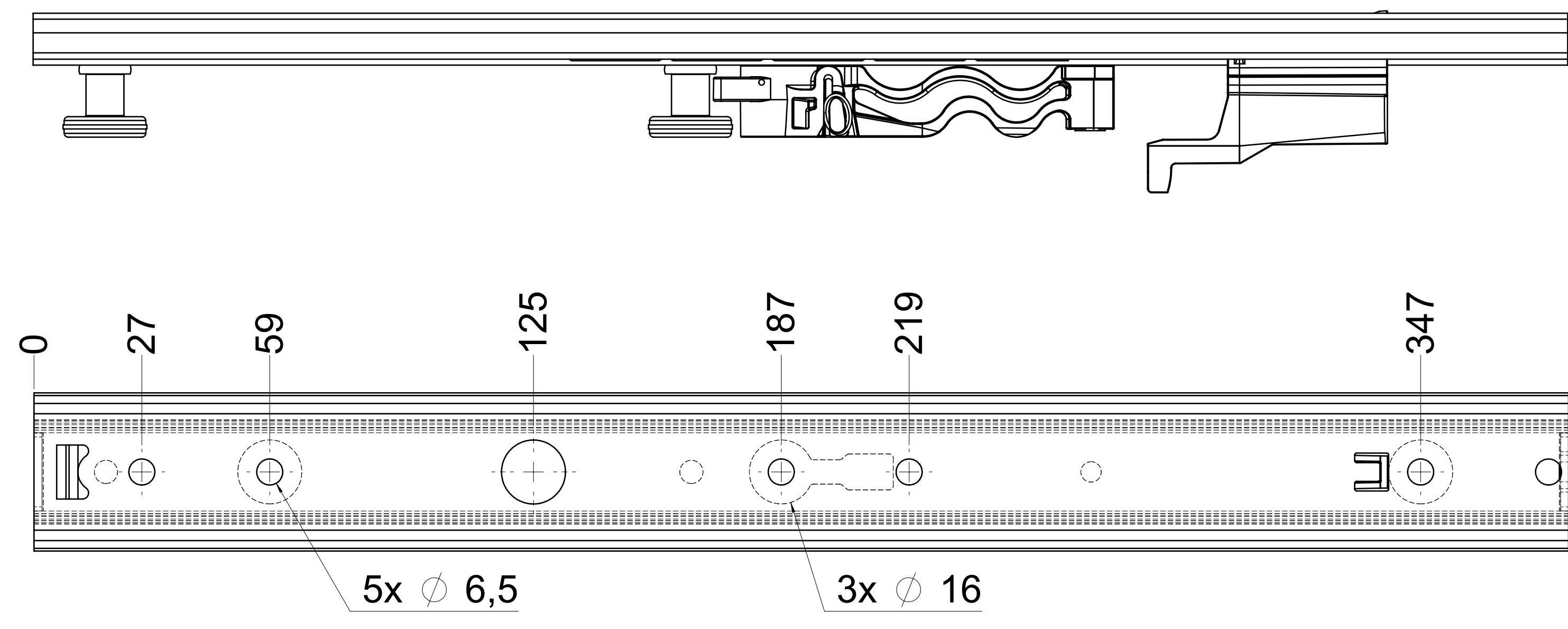
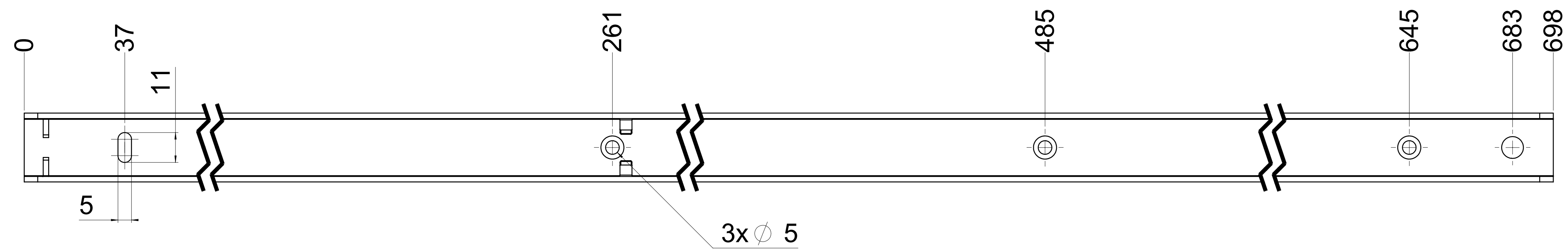


dimensions without coating / maximum coating allowed 0.1mm

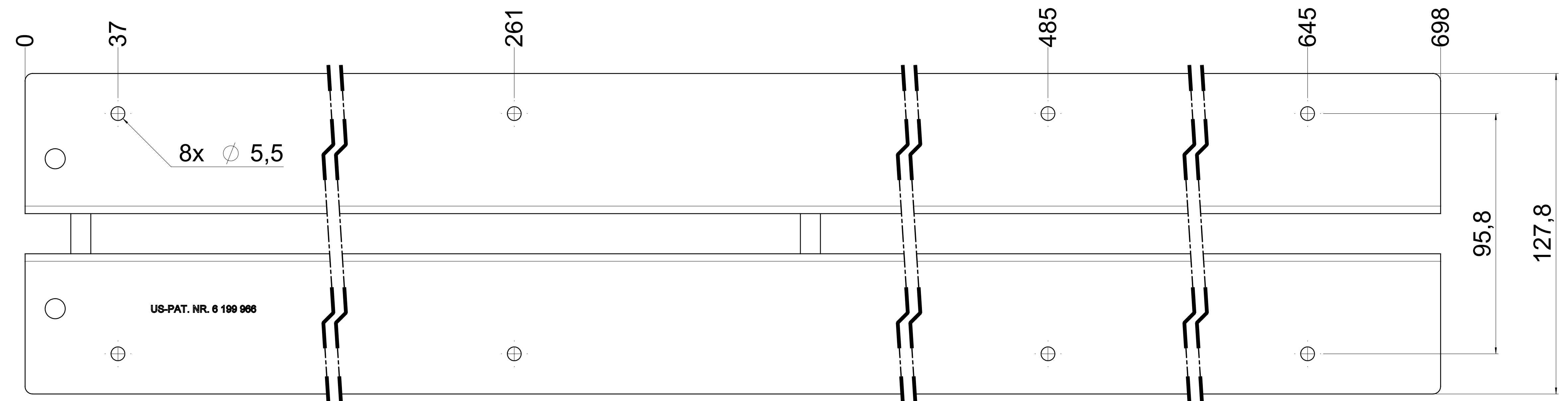
top guide cabinet profile



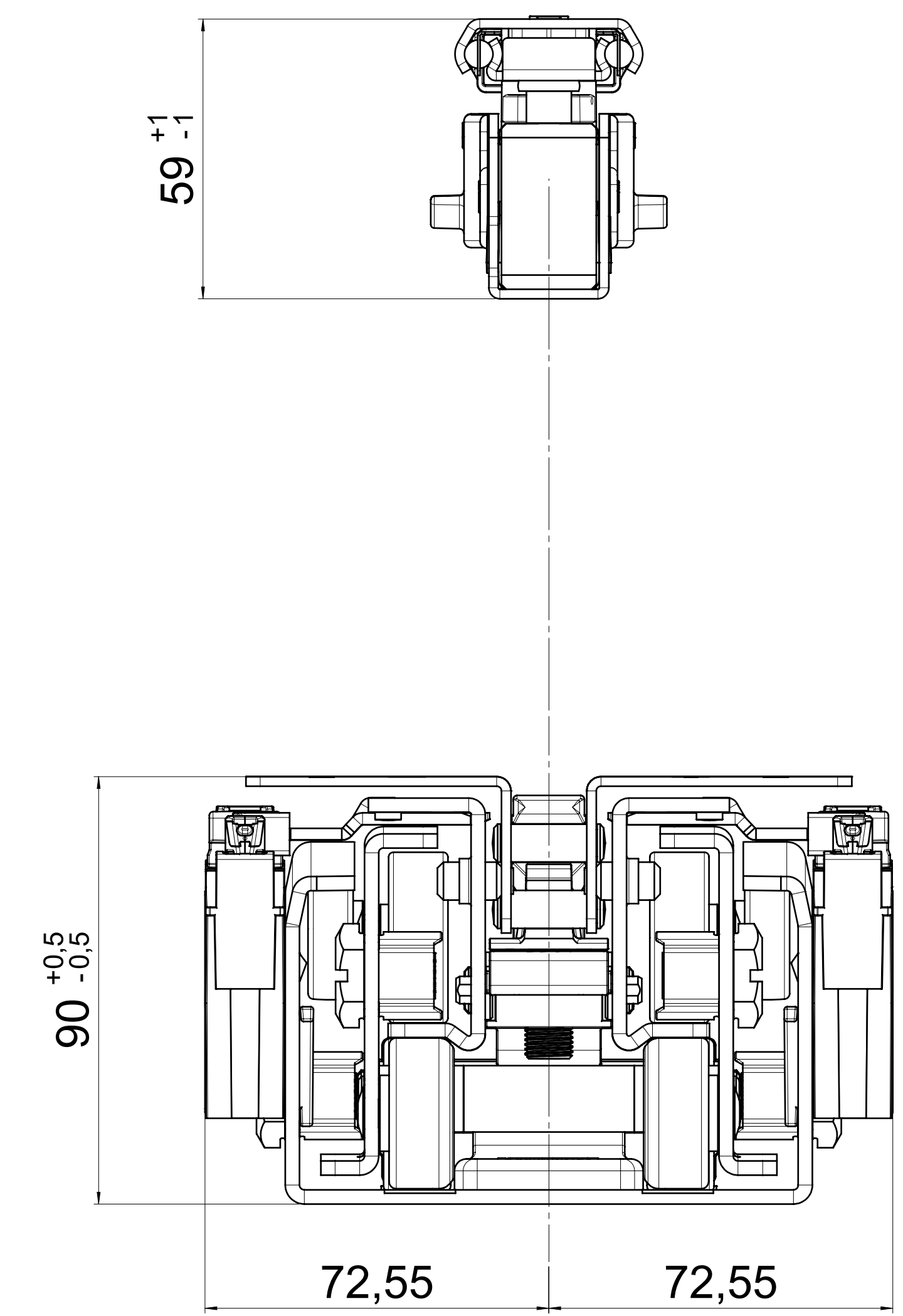
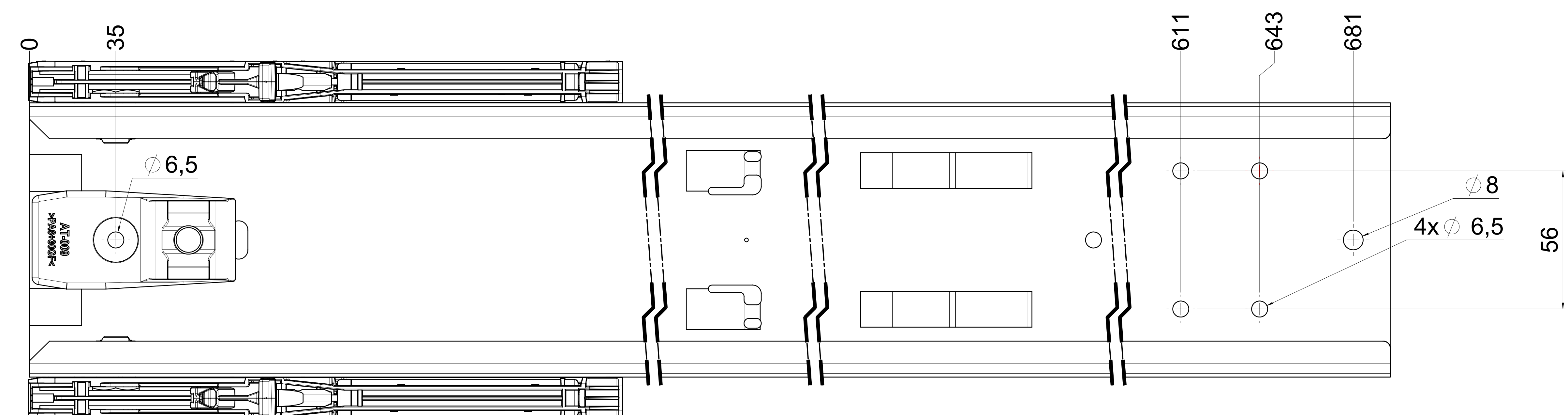
top guide drawer profile



bottom guide drawer profile



bottom guide cabinet profile



final approval

customer name: _____

signed by: _____

date: _____

page 1 of 2

all dimensions in mm

Filterer

FR 777A / 70 - EN (mm)
progressive-action full-extension
drawerslide / bottom mount

777A.700-GA.0000

scale:	1:1	surface:	steel
drawn:	21-11-2021	name:	GB
proven:	00-00-0000	description:	FR 777A / 70 - EN (mm) progressive-action full-extension drawerslide / bottom mount
changes:	date	na.	na.

material: semi finished parts

missing dimensions see 3D = theor. intersection

covered according to DIN ISO 15015

scale: 1:1

surface: steel

(technical requirements Filterer)

drawn: 21-11-2021

name: GB

description: FR 777A / 70 - EN (mm)
progressive-action full-extension
drawerslide / bottom mount

proven: 00-00-0000

00

Filterer

Filterer AG & Co KG
A-6890 Lustenau / Austria

Filterer AG
CH-8430 St. Margrethen

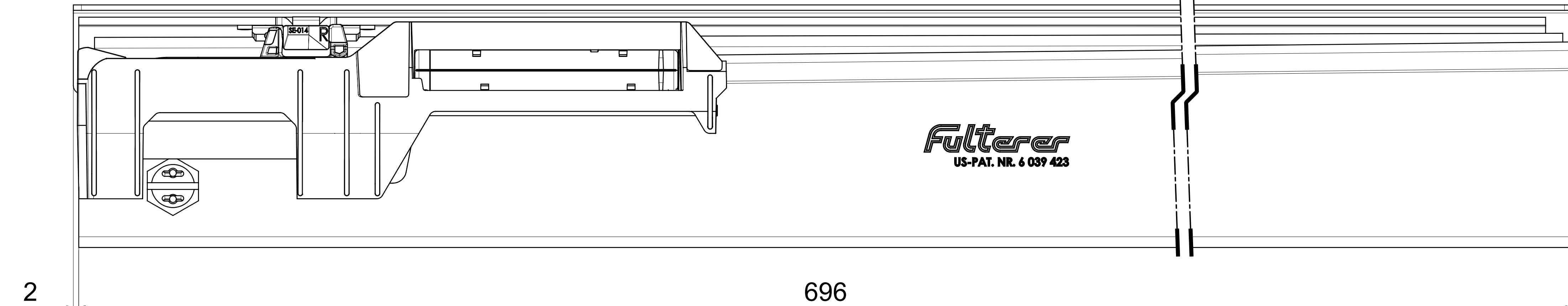
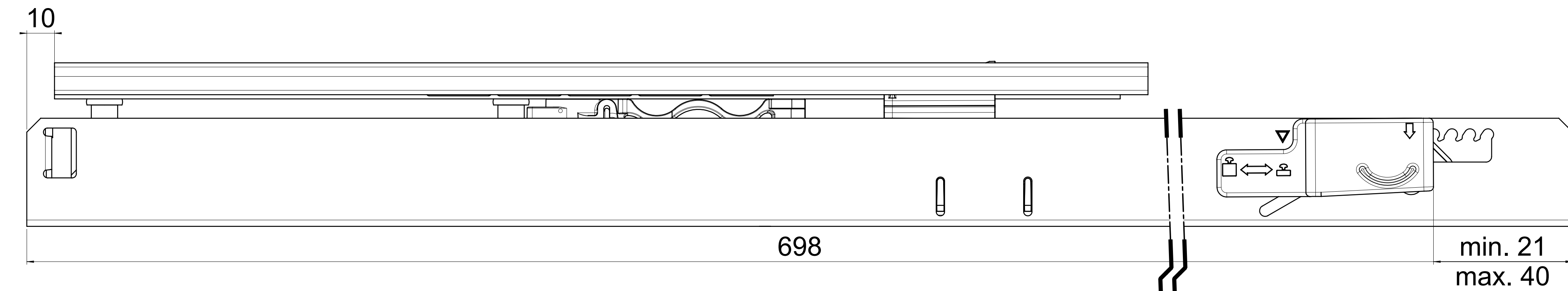
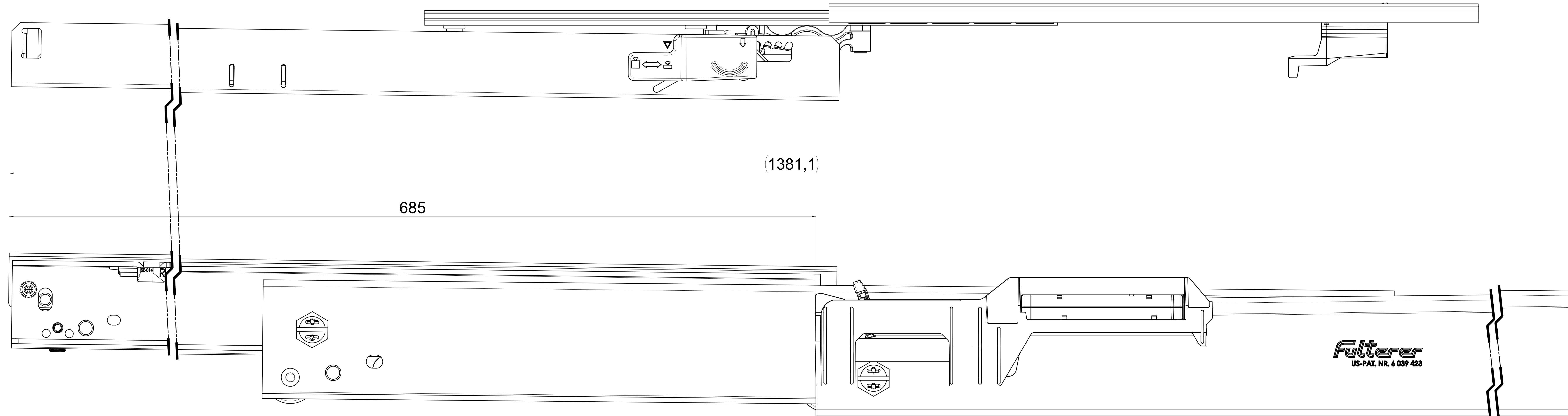
drawing number:
777A.700-GA.0000

replaces version 03/16

Copyright © 2021 Filterer AG

dimensions without coating / maximum coating allowed 0.1mm

X



final approval

customer name: _____

signed by: _____

date: _____

page 2 of 2 ⚠ = check dimension , next free check number ⚠

all dimensions in mm

This drawing remains our property and may not be disclosed to third parties (§§1,3 and 5 from the copyright Act (UrHG)) covered according to DIN ISO 15016

scale:	1:1	surface:	steel
material:	semi finished parts	missing dimensions see 3D	AO
description:	FR 777A / 70 - EN (mm)	progressive-action full-extension	(technical requirements Filterer)
drawn:	21-11-2021	GB	FR 777A / 70 - EN (mm)
proven:	00-00-0000	00	progressive-action full-extension
			drawerslide / bottom mount
			Filterer
			Filterer AG & Co KG
			A-680 Lustenau / Austria
			Filterer AG
			CH-8430 St. Margrethen
			drawing number:
			777A.700-GA.0000
			replaces version 03/02

DIN ISO 128-30 missing dimensions see 3D = theor. intersection

changes date na. created: 01. januar 2021 14:53:46 nicola heisler