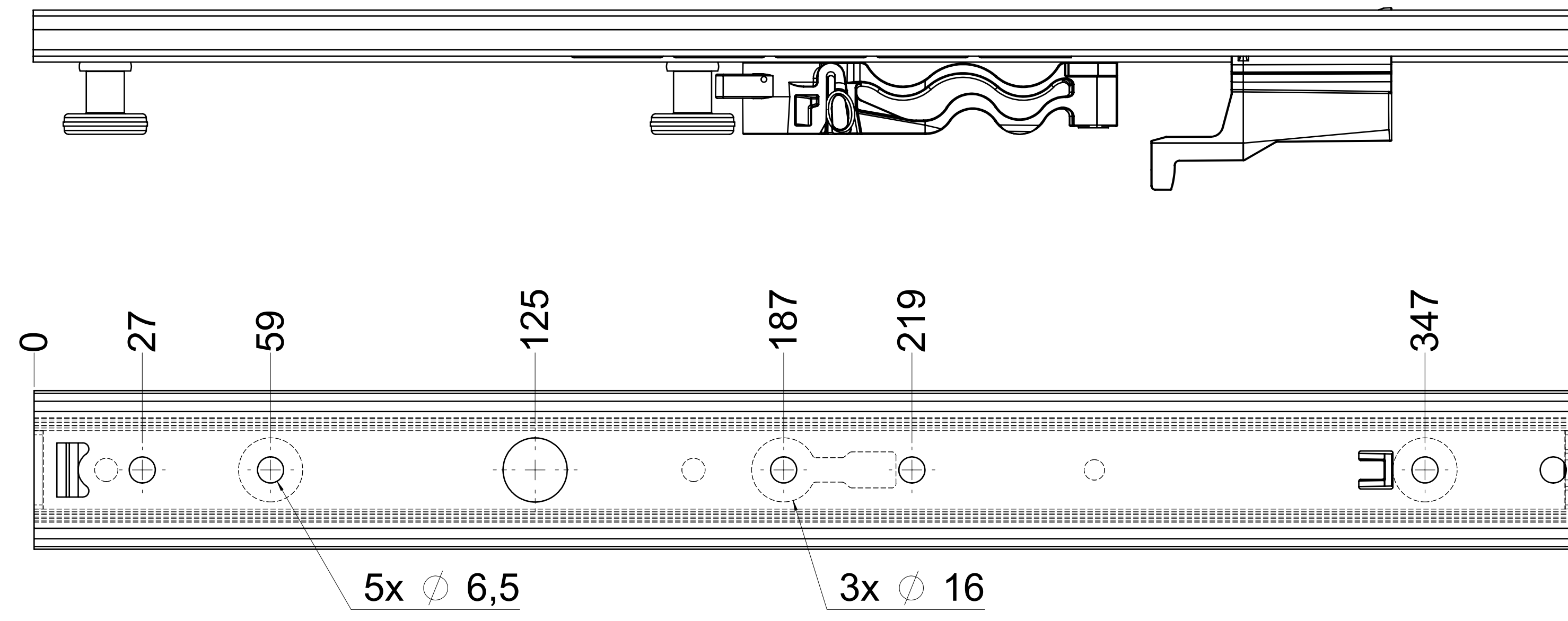
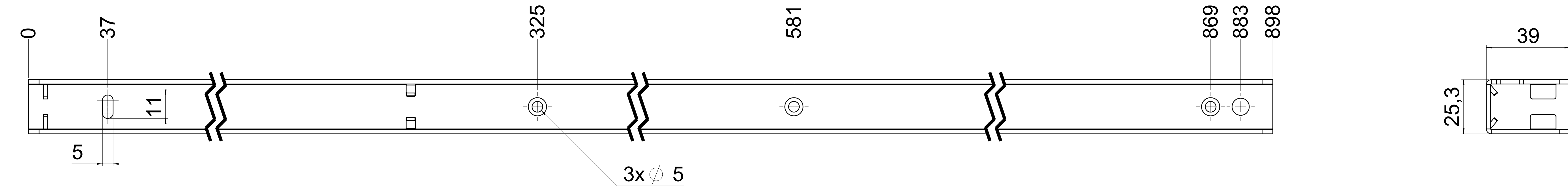


dimensions without coating / maximum coating allowed 0.1mm

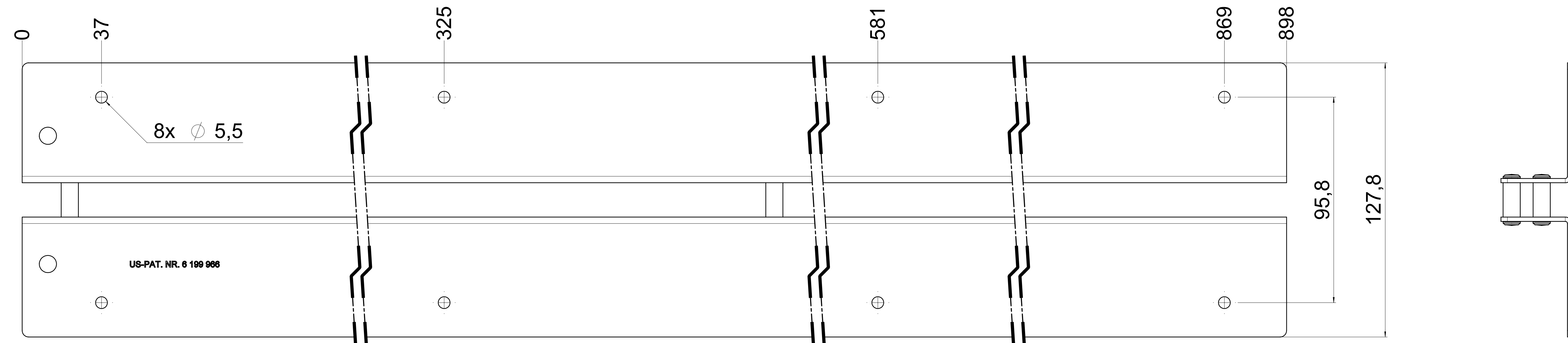
top guide cabinet profile



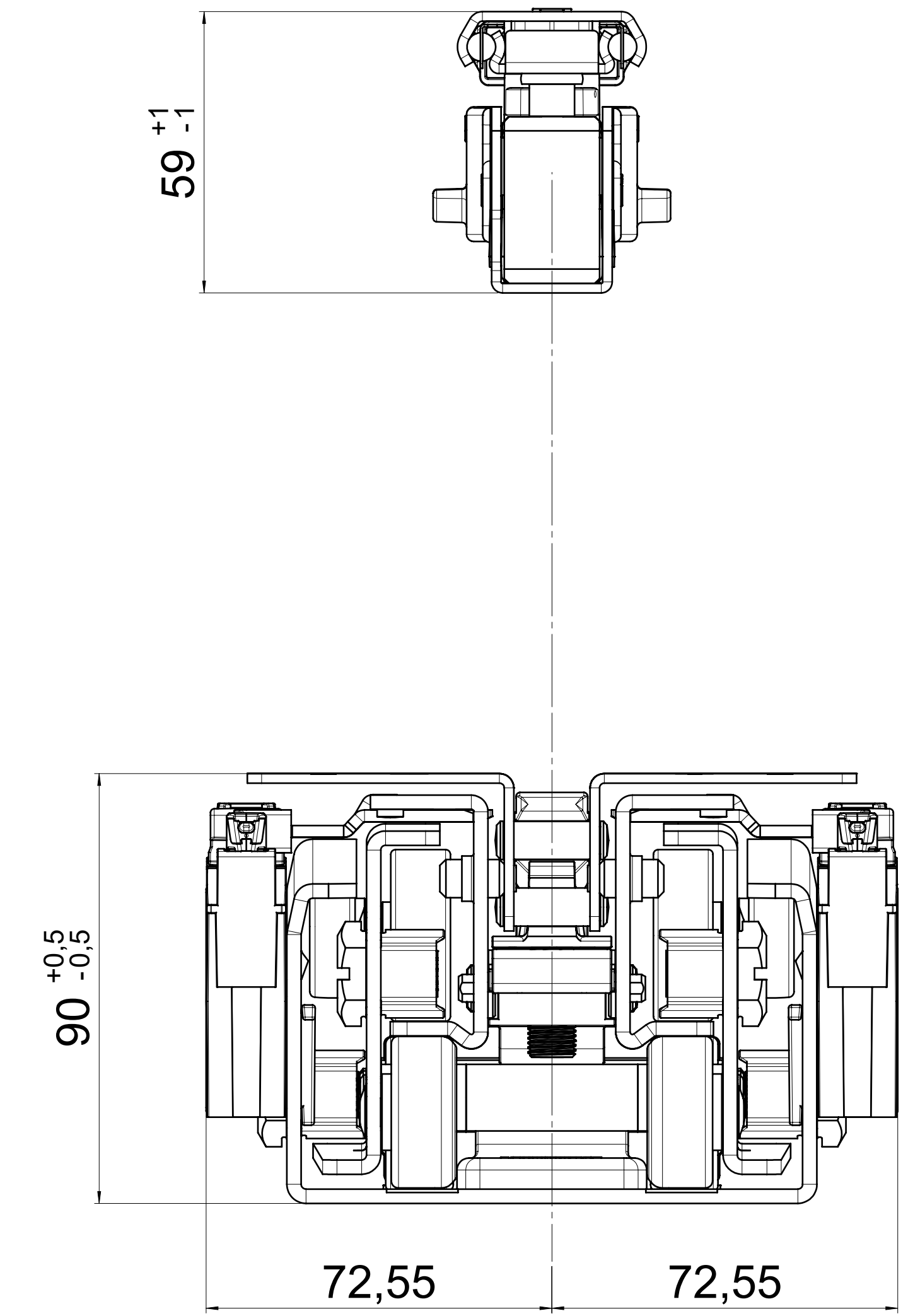
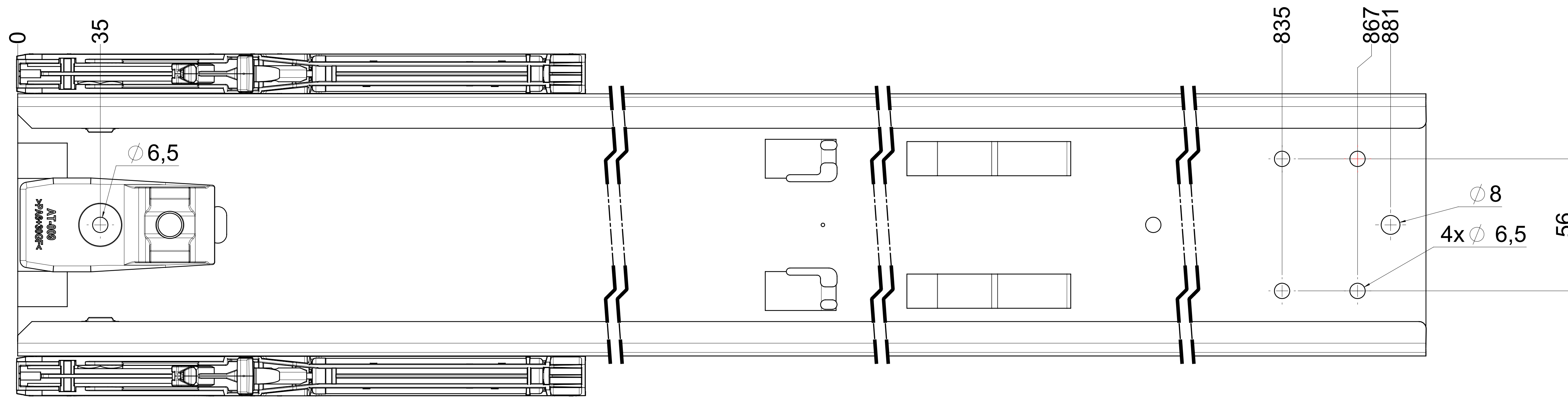
top guide drawer profile



bottom guide drawer profile



bottom guide cabinet profile



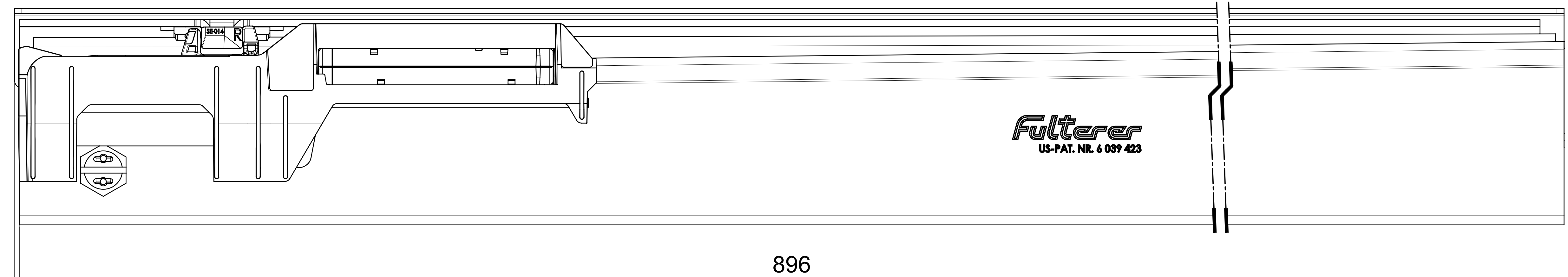
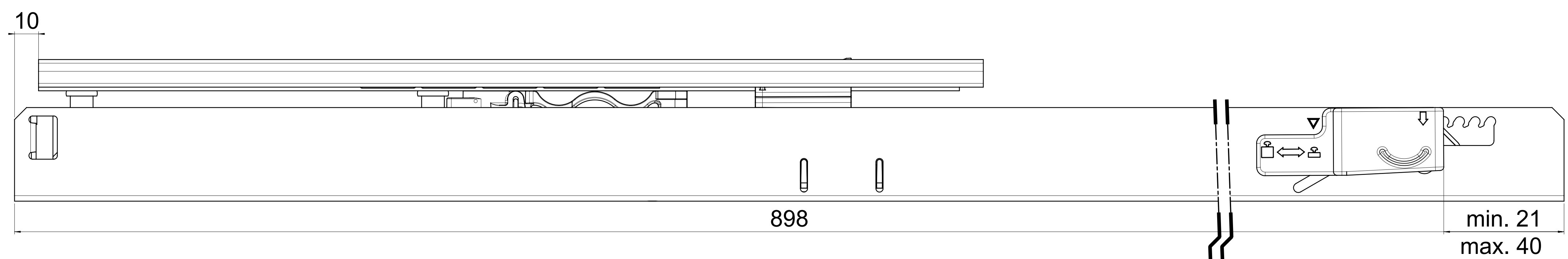
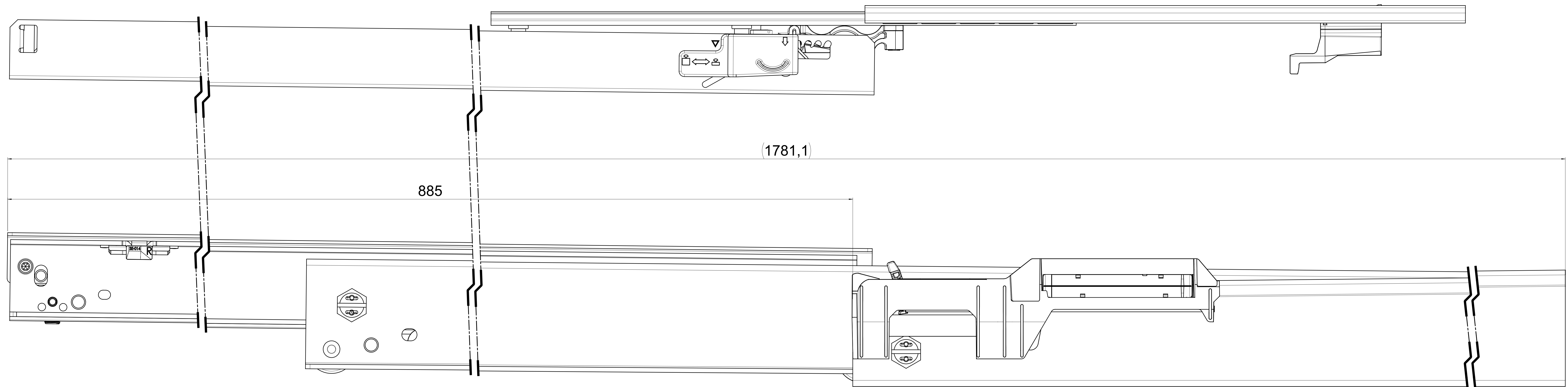
final approval

customer name: _____
 signed by: _____
 date: _____

all dimensions in mm		DIN ISO 128-30 missing dimensions see 3D = theor. intersection	
This drawing remains our property and may not be multiplied neither be disclosed to third parties (§§1,3 and 5 from the copyright Act (UrhG)) covered according to DIN ISO 15015		scale:	surface:
1:1	steel	material: semi finished parts: AO	
date:	name:	(technical requirements Filterer)	
drawn 21-11-2021	GB	description:	
proven 00-00-0000	00	FR 777A / 90 - EN (mm)	
Filterer		progressive-action full-extension drawerslide / bottom mount	
Filterer AG & Co KG A-6800 Lustenau / Austria		drawing number:	
C14-8430 St. Margrethen		777A.900-GA.0000	
replaces version 03/02		replaces version 03/02	
changes	date	na.	na.

dimensions without coating / maximum coating allowed 0.1mm

X



Filterer
US-PAT. NR. 6 039 423

⚠ = check dimension, next free check number

final approval

customer name:

signed by:

date:

all dimensions in mm				DIN ISO 128-30 missing dimensions see 3D = theor. intersection	
This drawing remains our property and may not be multiplied neither be disclosed to third parties (§§1,3 and 5 from the copyright Act (UrhG)) covered according to DIN ISO 16016				material: semi finished parts: AO	
scale:	1:1	surface:	steel	(technical requirements Filterer)	
drawn:	21-11-2021	name:	GB	description: FR 777A / 90 EN (mm)	
proven:	00-00-0000	date:	00	progressive-action full-extension drawerslide / bottom mount	
				drawing number: 777A.900-GA.0000	
Filterer AG & Co KG A-6800 Lustenau / Austria Filterer AG CH-8430 St. Margrethen				replaces version 03/02	
changes	date	na.		Created: 01. Januar 2021 14:31:54 Inhaber: Heidegger	