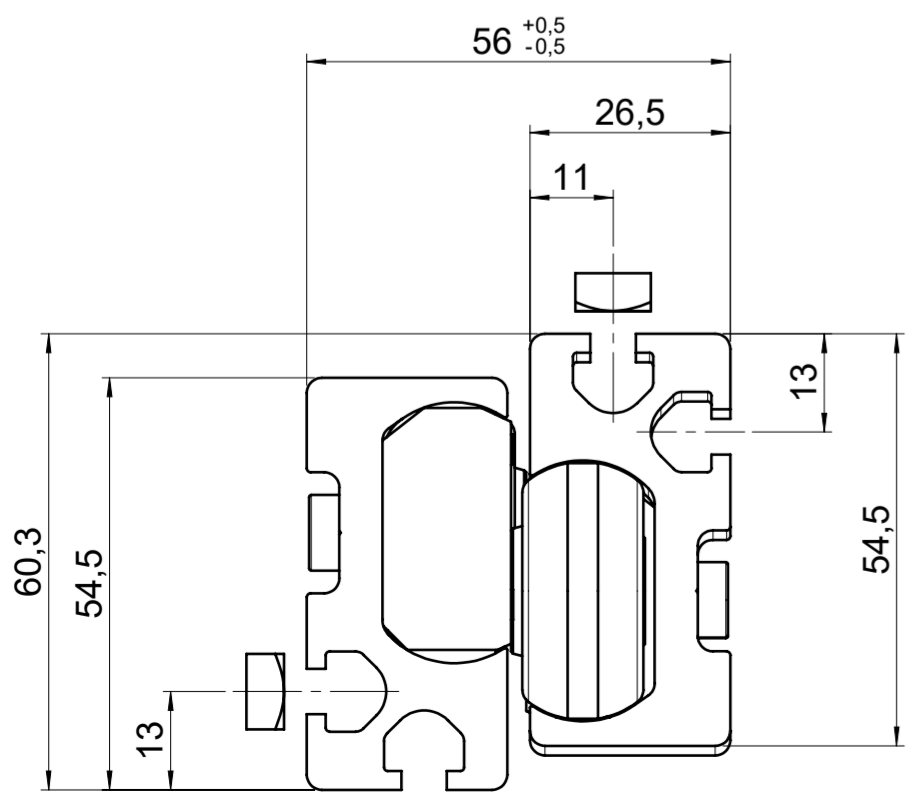
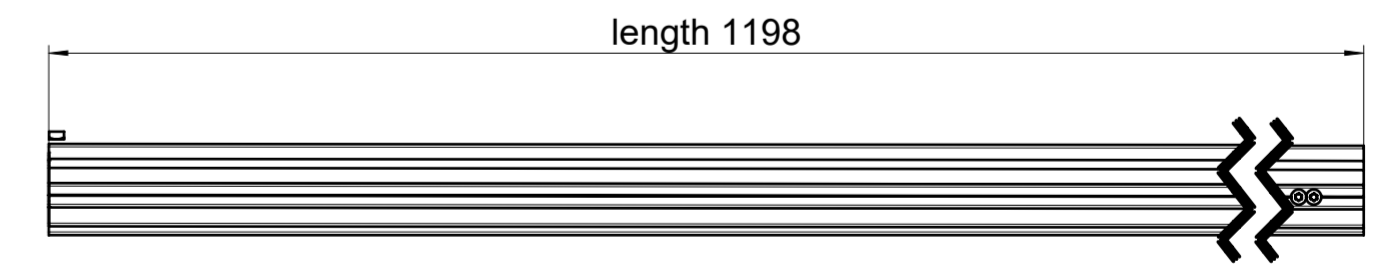
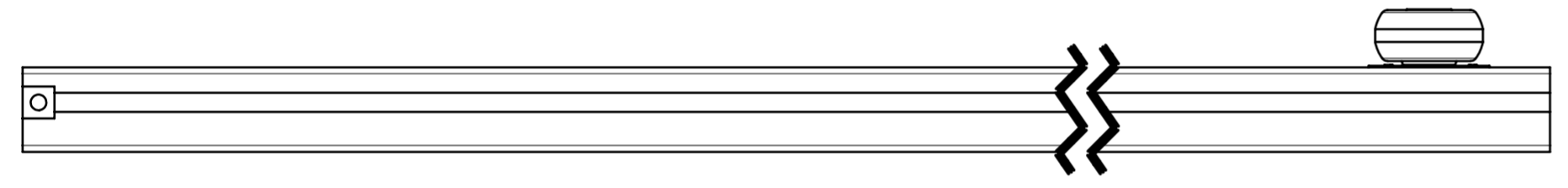
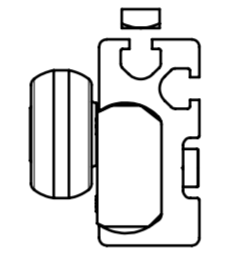
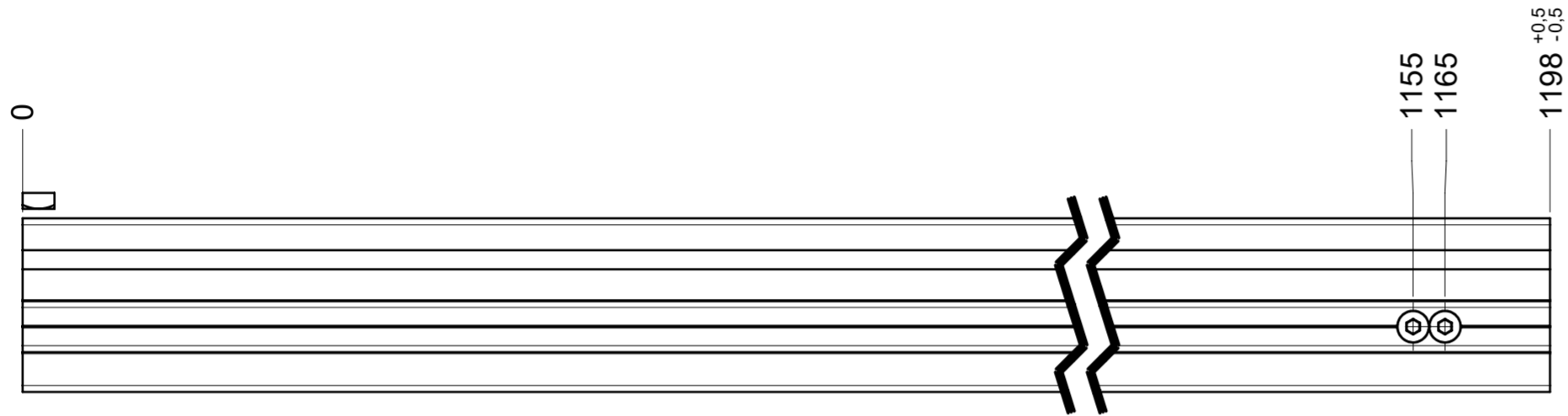
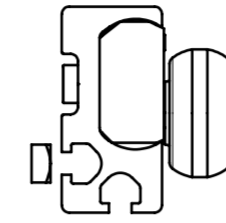
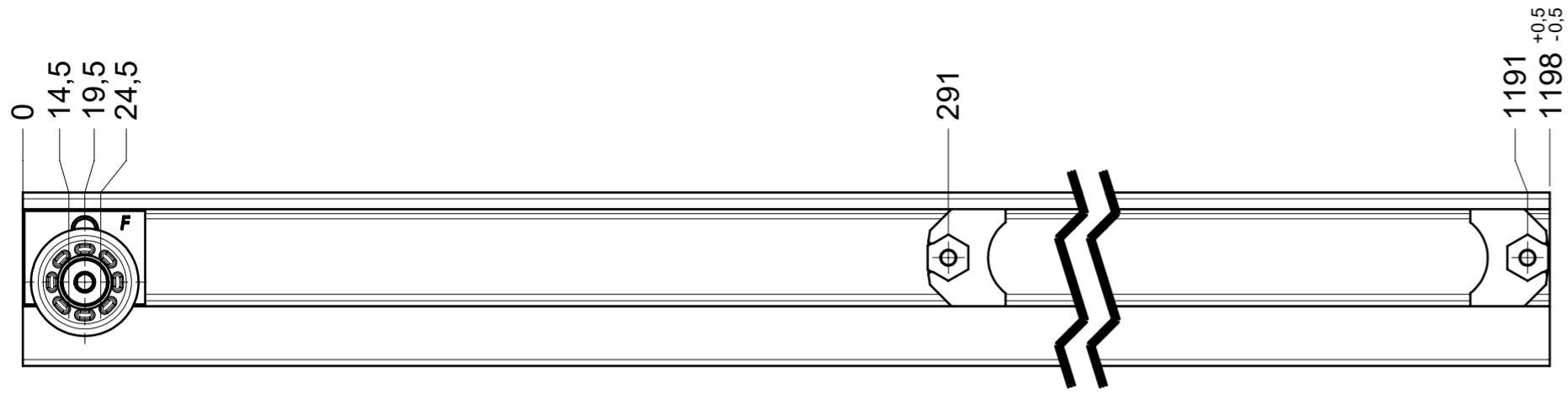


drawn left



**final approval**

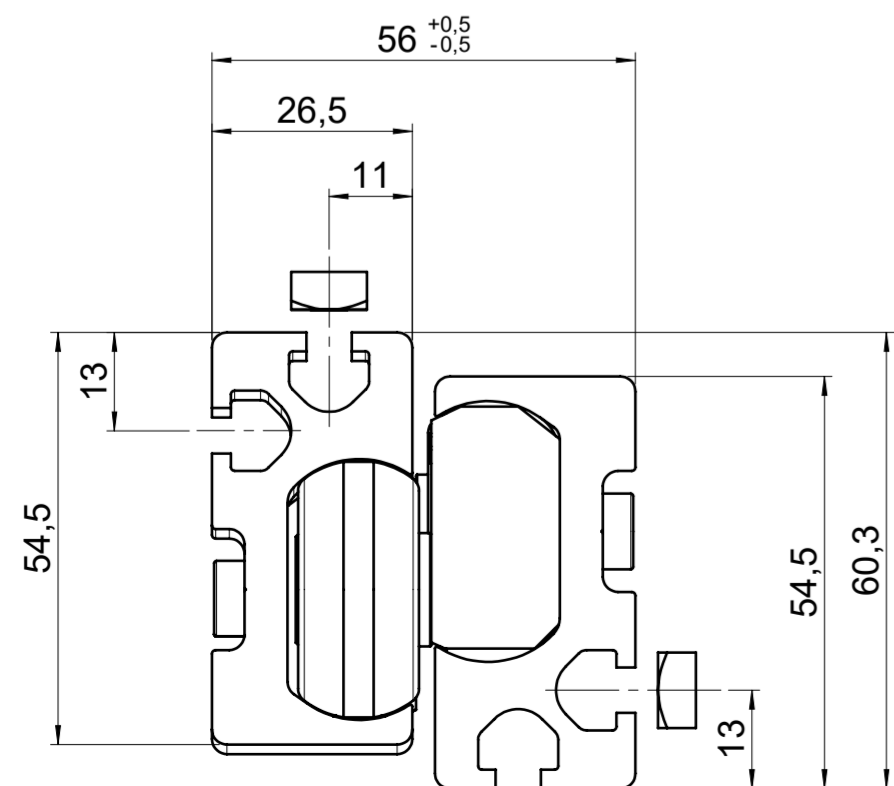
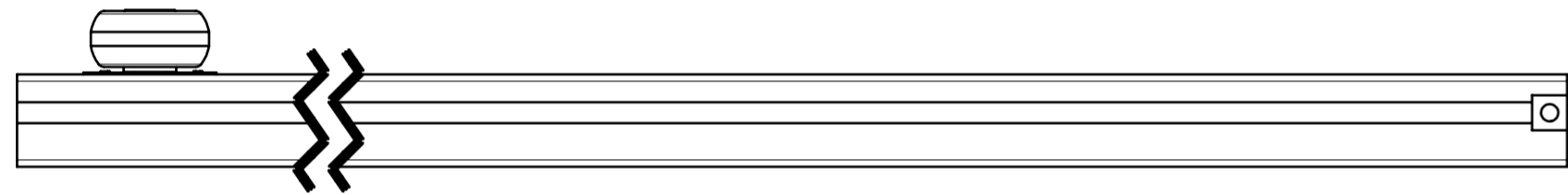
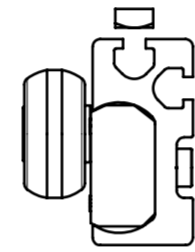
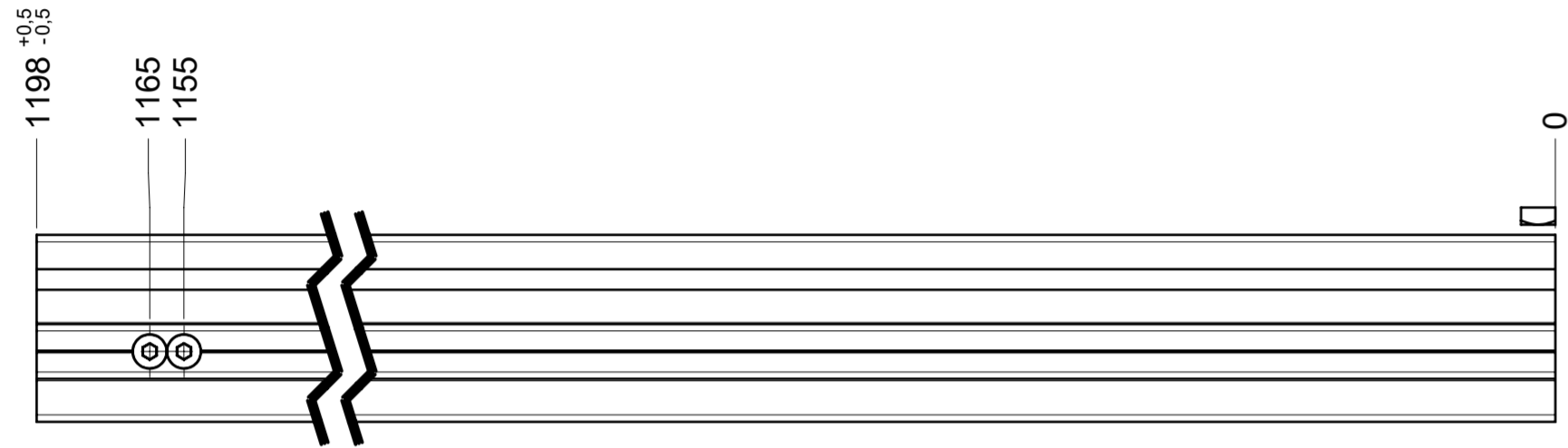
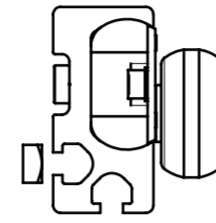
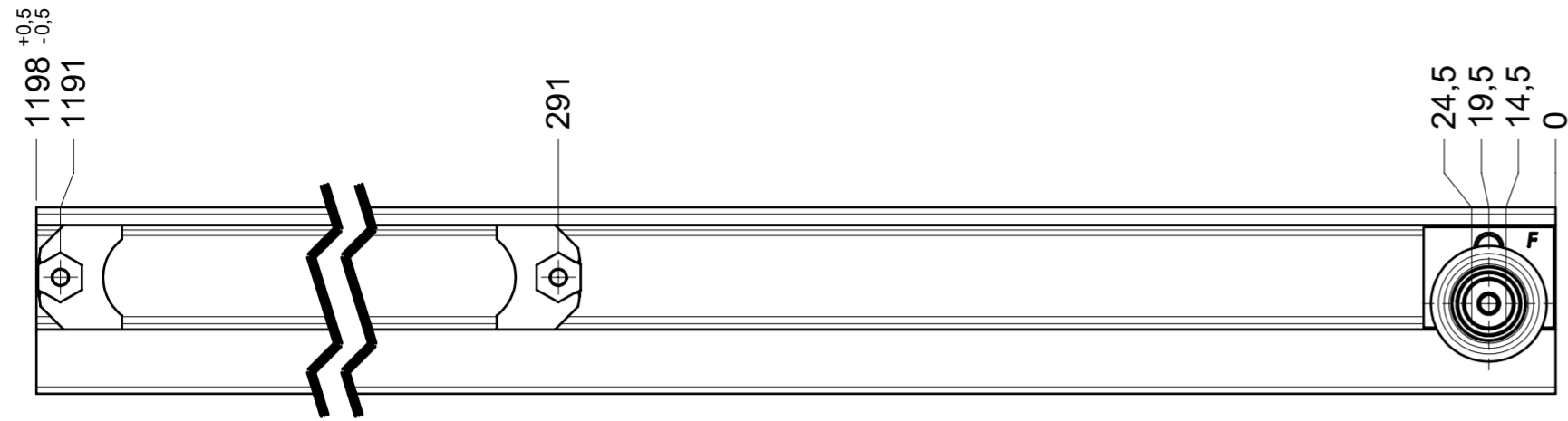
customer name: \_\_\_\_\_

signed by: \_\_\_\_\_

date: \_\_\_\_\_

|  |  |  |            |   |      |
|--|--|--|------------|---|------|
| <b>all dimensions in mm</b>  |  |  |            | DIN ISO 128-30<br>missing dimensions see 3D<br>= theor. intersection                          |      |
| This drawing remains our property and may not be multiplied neither be disclosed to third parties (§§1,3 and 5 from the copyright Act (UrhG)) covered according to DIN ISO 16016 |  |  |            |   |      |
| scale: 1:2   |  | surface:   |            | material, semi finished parts: CS (technical requirements Fulterer)                           |      |
| (k)  |  | drawn  | 01-02-2023 | date  | name |
| (l)  |  | proven   | 01-03-2023 | date  | name |
| (h)  |  |  |            | ex  |      |
| (g)  |  |  |            | pr  |      |
| (f)  |  | <b>Fulterer</b>                                  |            | description: FR 9000 / 120 EN (mm) progressive-action full-extension drawerslide / side mount |      |
| (e)  |  |  |            | drawing number: 9000.1200-GA.0000.li  |      |
| (d)  |  | Fulterer AG & Co KG<br>A-6890 Lustenau / Austria |            | replaces version date:  |      |
| (c)  |  | Fulterer AG<br>CH-9430 St. Margrethen            |            |   |      |
| (b)  |  | ind.   | changes    | date  | na.  |
| (a)  |  |  |            |   |      |

drawn right



**final approval**

customer name:

signed by:

date:

**all dimensions in mm**

DIN ISO 128-30  
missing dimensions see 3D  
= theor. intersection

|  |  |  |  |                           |          |  |  |
|--|--|--|--|---------------------------|----------|--|--|
| This drawing remains our property and may not be multiplied neither be disclosed to third parties (§§1,3 and 5 from the copyright Act (UrhG)) covered according to DIN ISO 16016 |  |  |  | scale:<br>1:2             | surface: | material, semi finished parts:<br>CS<br>(technical requirements Fulterer)                              | A2   |
| (k)  |  |  |  | date                      | name     | description:<br>FR 9000 / 120 EN (mm)<br>progressive-action full-extension<br>drawerslide / side mount | drawing number:<br><b>9000.1200-GA.0000.re</b> |
| (l)  |  |  |  | drawn 01-02-2023          | ex       |  |  |
| (h)  |  |  |  | proven 01-03-2023         | pr       |  |  |
| (g)  |  |  |  |                           |          |  |  |
| (f)  |  |  |  |                           |          |  |  |
| (e)  |  |  |  | Fulterer AG & Co KG       |          | drawing number:<br><b>9000.1200-GA.0000.re</b>   | replaces version date:                         |
| (d)  |  |  |  | A-6890 Lustenau / Austria |          |  |  |
| (c)  |  |  |  | Fulterer AG               |          |  |  |
| (b)  |  |  |  | CH-9430 St. Margrethen    |          |  |  |
| (a)  |  |  |  | changes                   | date     | na.  |  |