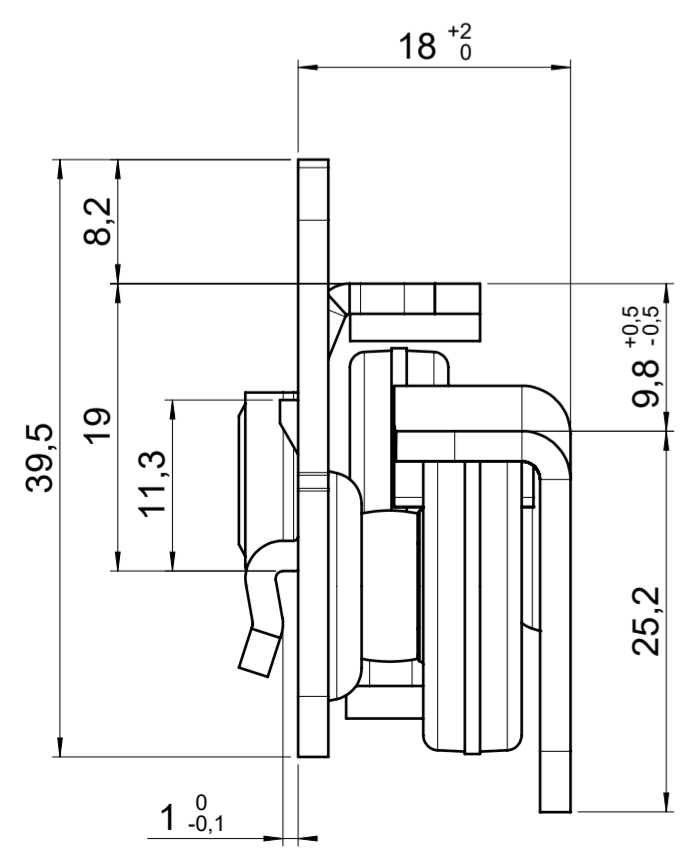
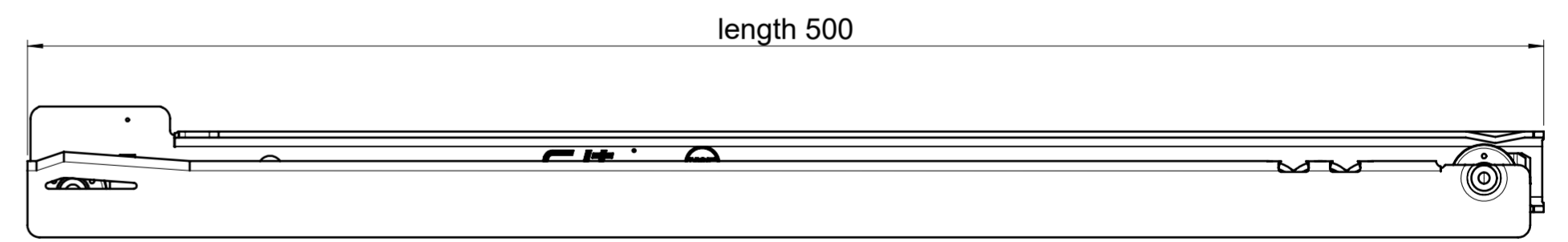
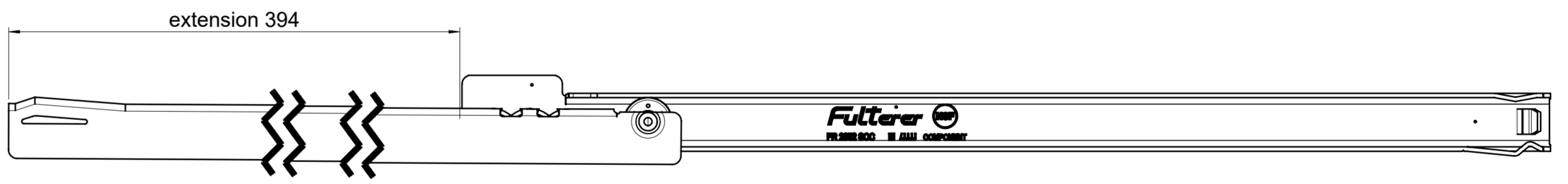
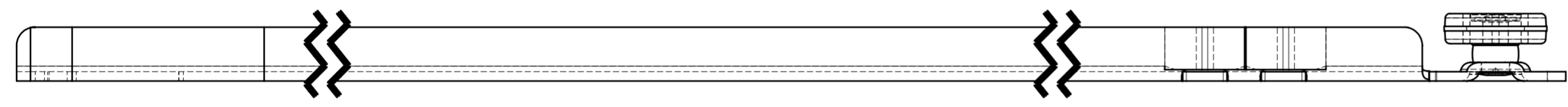
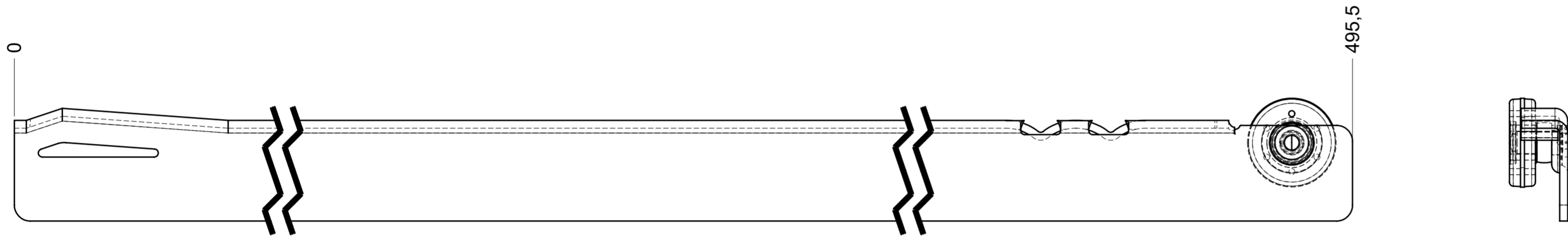
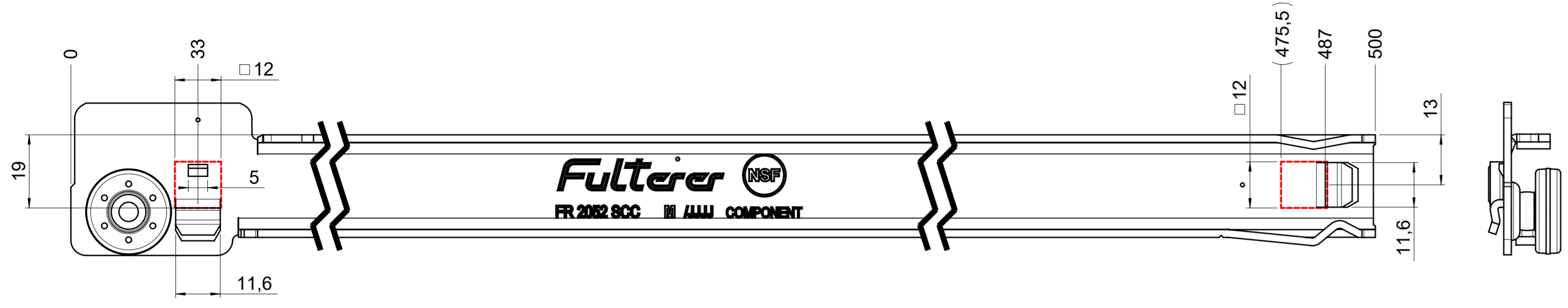


drawn left



**final approval**

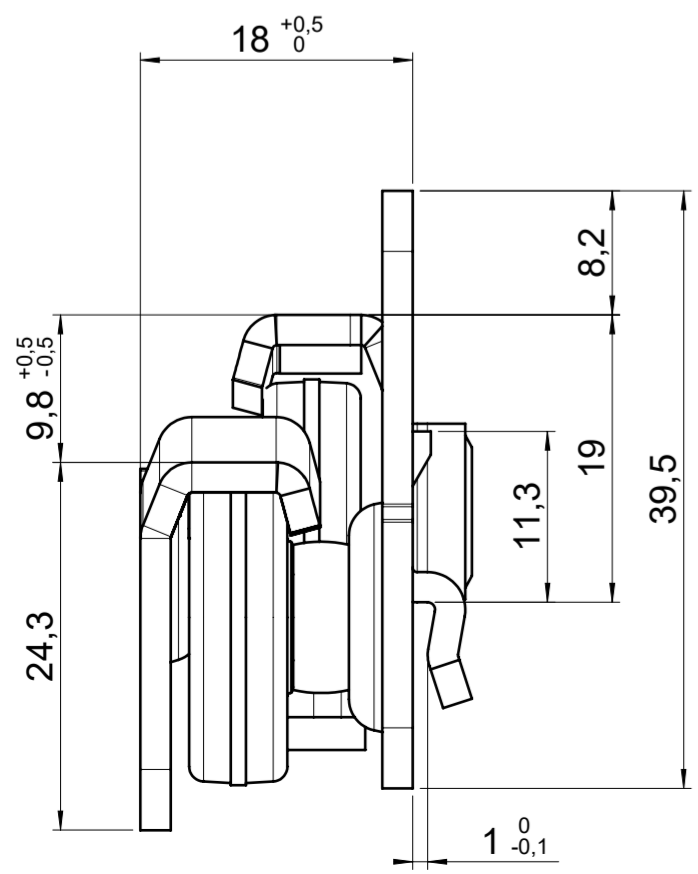
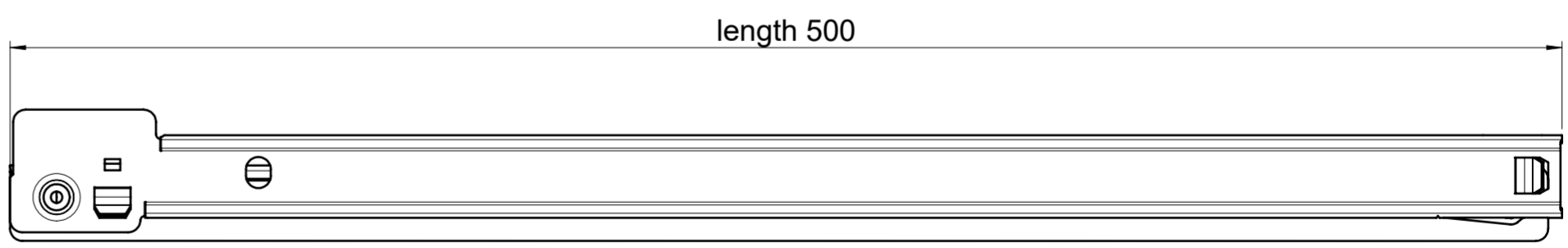
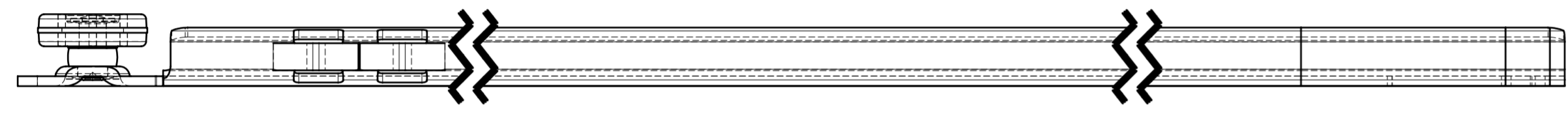
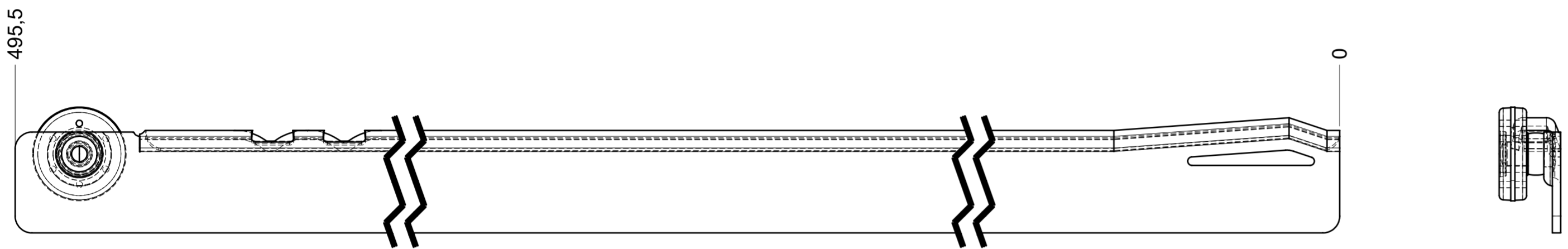
customer name:

signed by:

date:

all dimensions in mm				DIN ISO 128-30 missing dimensions see 3D = theor. intersection	
This drawing remains our property and may not be multiplied neither be disclosed to third parties (§§1,3 and 5 from the copyright Act (UrhG)) covered according to DIN ISO 16016					
scale: 1:1		surface:		material, semi finished parts: CS (technical requirements Fulterer)	
drawn	date	name	ex	description: FR 1052 / 50 CS EN (mm) regular-extension drawerside / side mount	
proven	01-02-2023		pr		
				drawing number: CS# 1052.500-GA.L032.li	
Fulterer AG & Co KG A-6890 Lustenau / Austria Fulterer AG CH-9430 St. Margrethen				replaces version date:	
ind.	changes	date	na.		

drawn right



**final approval**

customer name:

signed by:

date:

<b>all dimensions in mm</b>				DIN ISO 128-30 missing dimensions see 3D = theor. intersection	
This drawing remains our property and may not be multiplied neither be disclosed to third parties (§§1,3 and 5 from the copyright Act (UrhG)) covered according to DIN ISO 16016					
scale: 1:1		surface:		material, semi finished parts: CS (technical requirements Fulterer)	
drawn	date	name	ex	description: FR 1052 / 50 CS EN (mm) regular-extension drawerside / side mount	
proven	01-03-2023	pr		drawing number: CS# 1052.500-GA.L032.re	
				replaces version date:	
ind.	changes	date	na.		