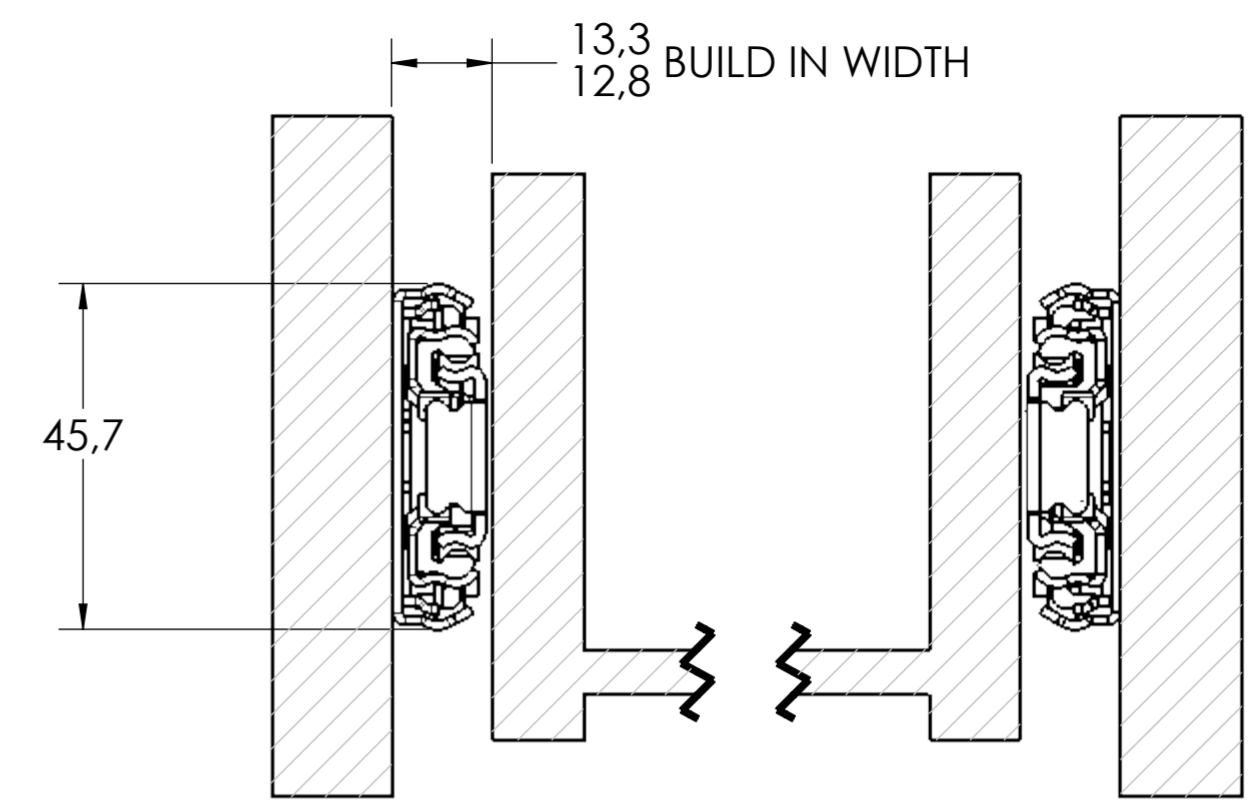
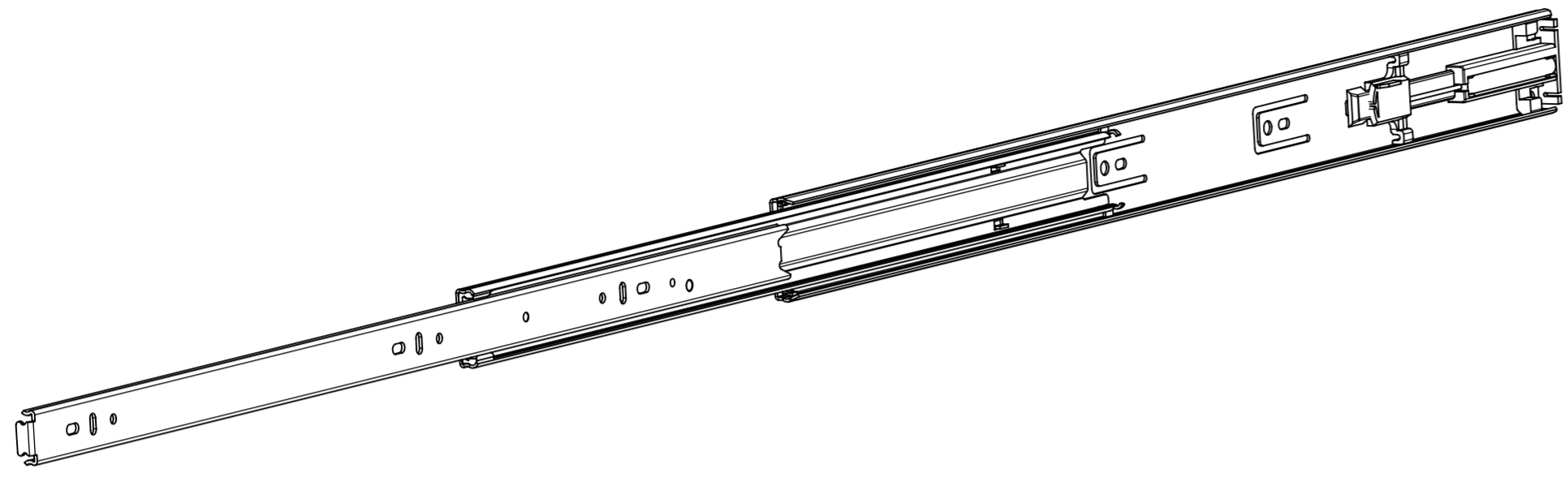
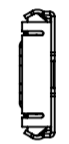
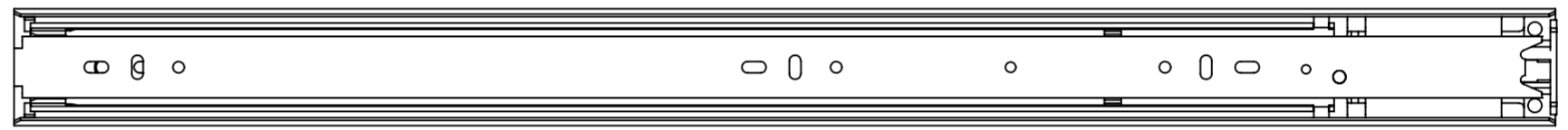


5001.600-GA.T001

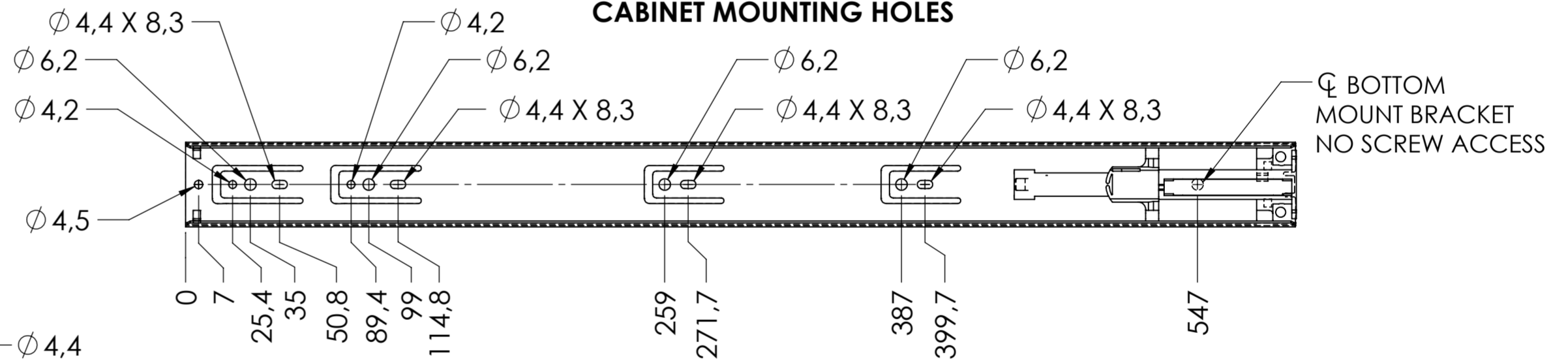
X



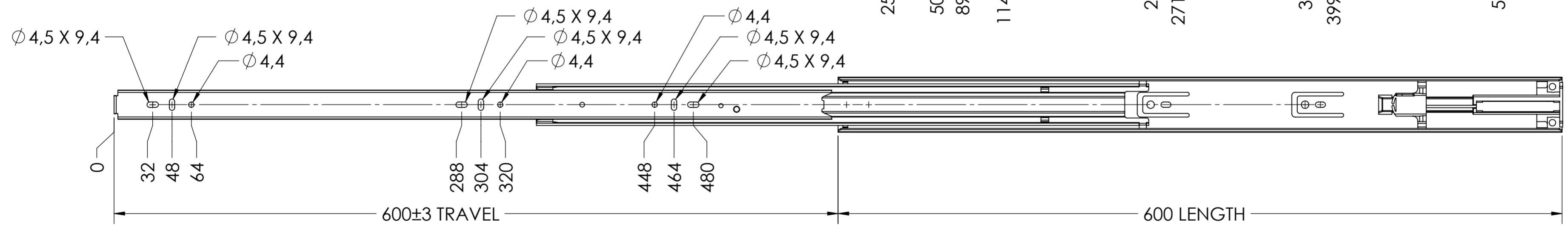
SCALE 1:1



CABINET MOUNTING HOLES



☒ BOTTOM MOUNT BRACKET NO SCREW ACCESS



ECD SPRING FORCE: 19N ± 2N PER SLIDE

RECOMMENDED HARDWARE:
 CABINET- 3.5MM SPAX M4 BUTTON HEAD OR #8 TRUSS HEAD SCREW
 DRAWER- 3.5MM SPAX M4 BUTTON HEAD OR #8 TRUSS HEAD SCREW

general tolerances		missing dimensions see 3D = theor. intersection	
ISO 2768-m			
This drawing remains our property and may not be multiplied neither be disclosed to third parties (§§1,3 and 5 from the copyright Act (UrhG)) covered according to DIN ISO 16016			
(k)		scale:	surface:
(l)		3:8	
(m)		date	name
(n)		drawn 29-10-2018	HB
(o)		proven 00-00-0000	00
(p)		Fulterer	
(q)			
(r)		Fulterer AG & Co KG	
(s)		A-6890 Lustenau / Austria	
(t)		Fulterer AG	
(u)		CH-9430 St. Margrethen	
(v)		drawing number:	
(w)		5001.600-GA.T001	
(x)		replaces version date:	
(y)			
(z)			
ind.	changes	date	na.