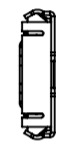
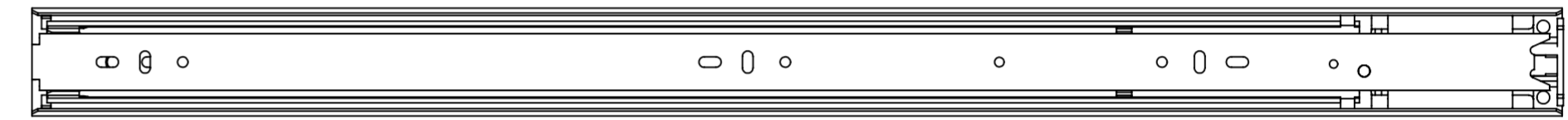
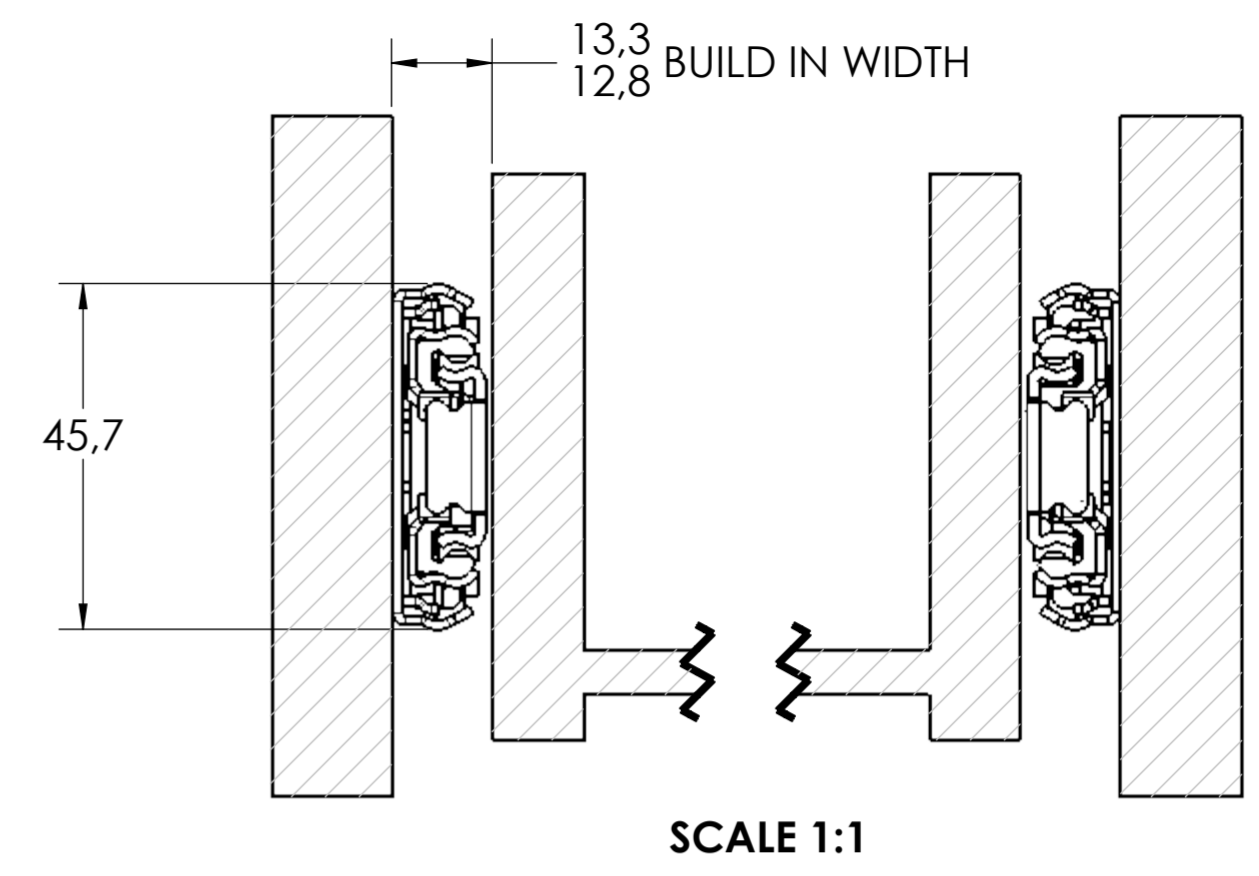
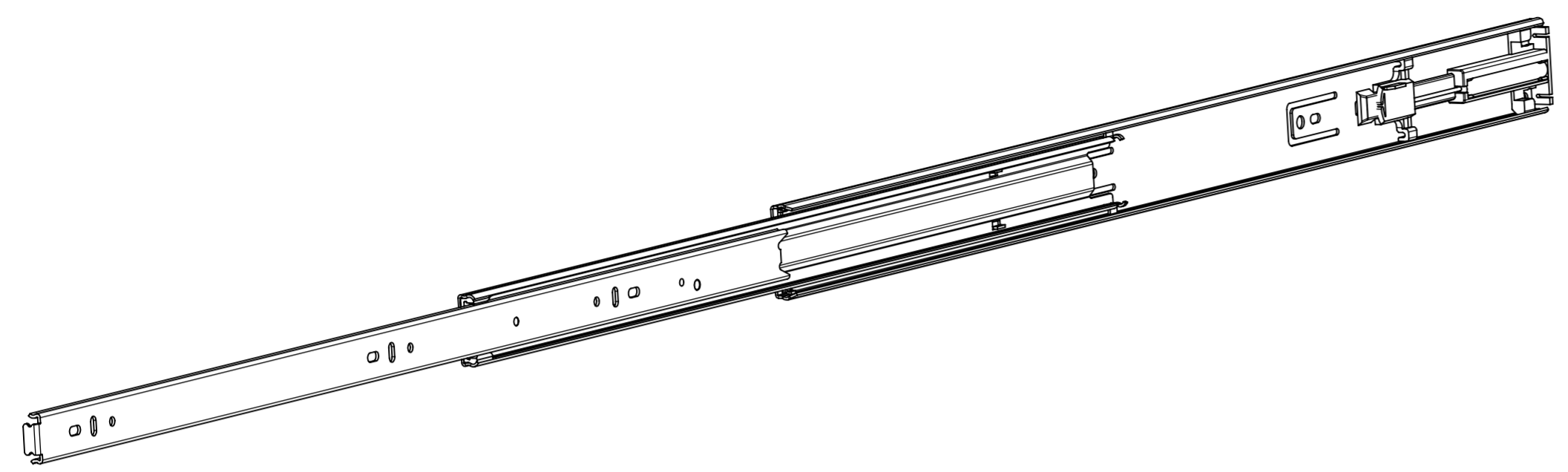
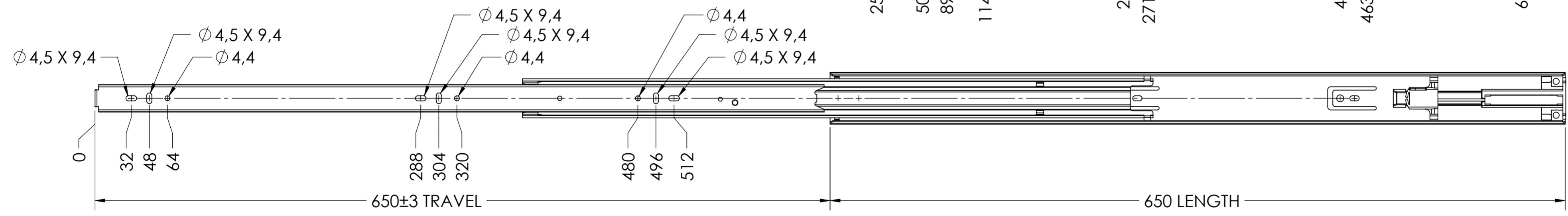
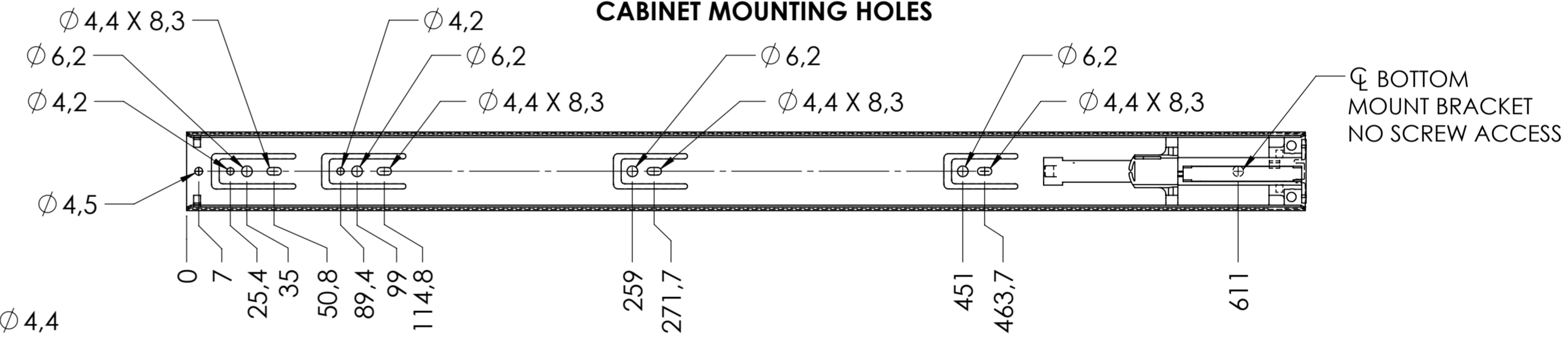


5001.650-GA.T001

X



CABINET MOUNTING HOLES



ECD SPRING FORCE: 19N ± 2N PER SLIDE

RECOMMENDED HARDWARE:
 CABINET- 3.5MM SPAX M4 BUTTON HEAD OR #8 TRUSS HEAD SCREW
 DRAWER- 3.5MM SPAX M4 BUTTON HEAD OR #8 TRUSS HEAD SCREW

general tolerances		missing dimensions see 3D = theor. intersection	
ISO 2768-m			
This drawing remains our property and may not be multiplied neither be disclosed to third parties (§§1,3 and 5 from the copyright Act (UrhG)) covered according to DIN ISO 16016			
(k)		scale:	surface:
(l)		3:8	
(i)		date	name
(h)		drawn 29-10-2018	HB
(g)		proven 00-00-0000	00
(f)		Fulterer	
(e)			
(d)		Fulterer AG & Co KG	
(c)		A-6890 Lustenau / Austria	
(b)		Fulterer AG	
(a)	0	00-00-0000	0
ind.	changes	date	na.
		drawing number: 5001.650-GA.T001	
		replaces version date:	