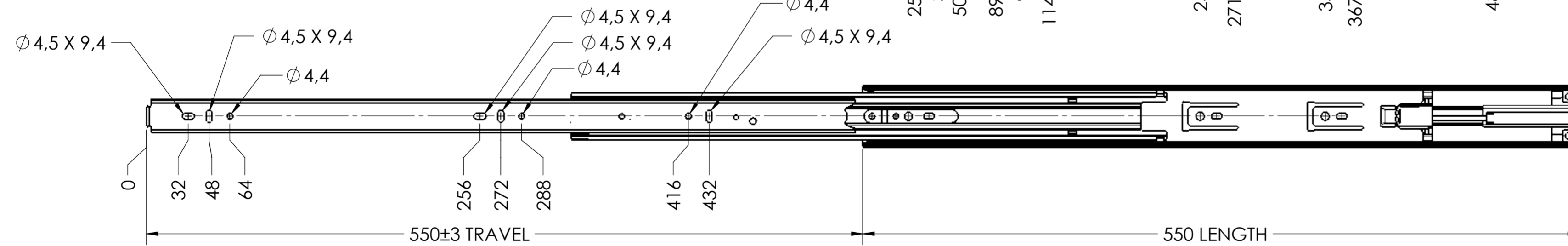
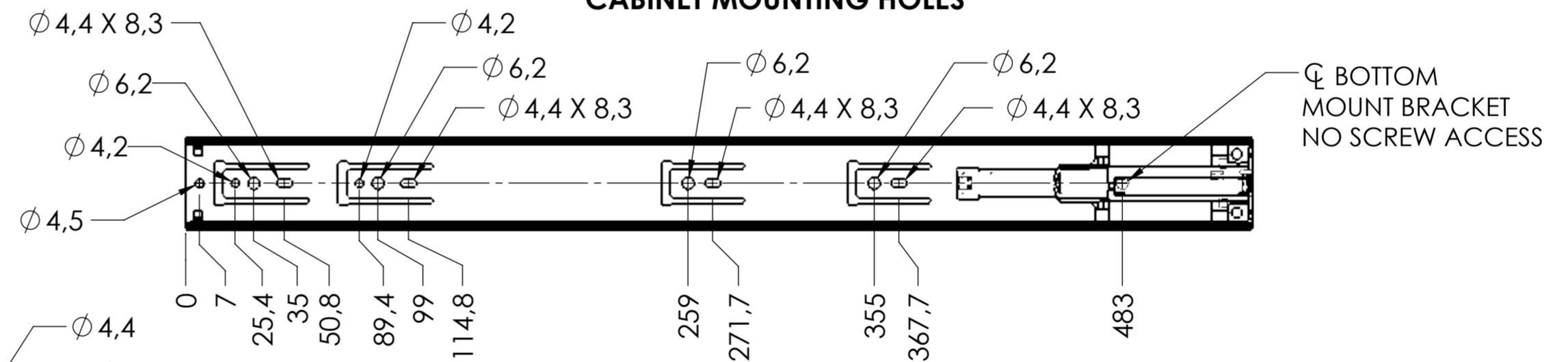


SCALE 1:1



CABINET MOUNTING HOLES



ECD SPRING FORCE: 19N ± 2N PER SLIDE

RECOMMENDED HARDWARE:

CABINET- 3.5MM SPAX M4 BUTTON HEAD OR #8 TRUSS HEAD SCREW

DRAWER- 3.5MM SPAX M4 BUTTON HEAD OR #8 TRUSS HEAD SCREW

general tolerances		DIN ISO 128-30 missing dimensions see 3D = theor. intersection	
ISO 2768-m			
This drawing remains our property and may not be multiplied neither be disclosed to third parties (§§1,3 and 5 from the copyright Act (UrhG))			
covered according to DIN ISO 16016		scale:	surface:
(k)		3:8	
(l)		date	name
(m)		drawn 16-05-2019	HB
(n)		proven 00-00-0000	00
(o)		Fulterer	
(p)			
(q)		material, semi finished parts: STAINLESS STEEL (technical requirements Fulterer)	
(r)		description: SIDE MOUNT FULL EXTENSION DRAWER SLIDE WITH SOFT CLOSE & DRAWER DISCONNECT	
(s)		drawing number: 5001.550-GA.T049	
(t)		replaces version date:	
(u)		Fulterer AG & Co KG A-6890 Lustenau / Austria Fulterer AG CH-9430 St. Margrethen	
(v)		00-00-0000	0
(w)		ind.	changes
(x)		date	na.