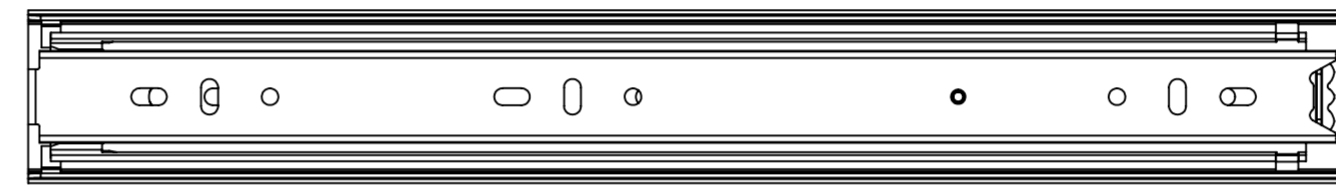
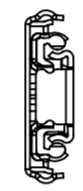
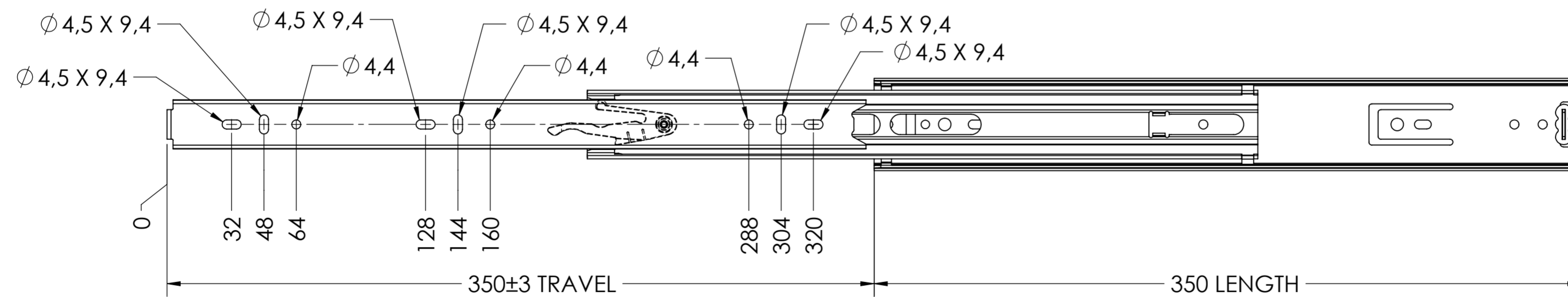
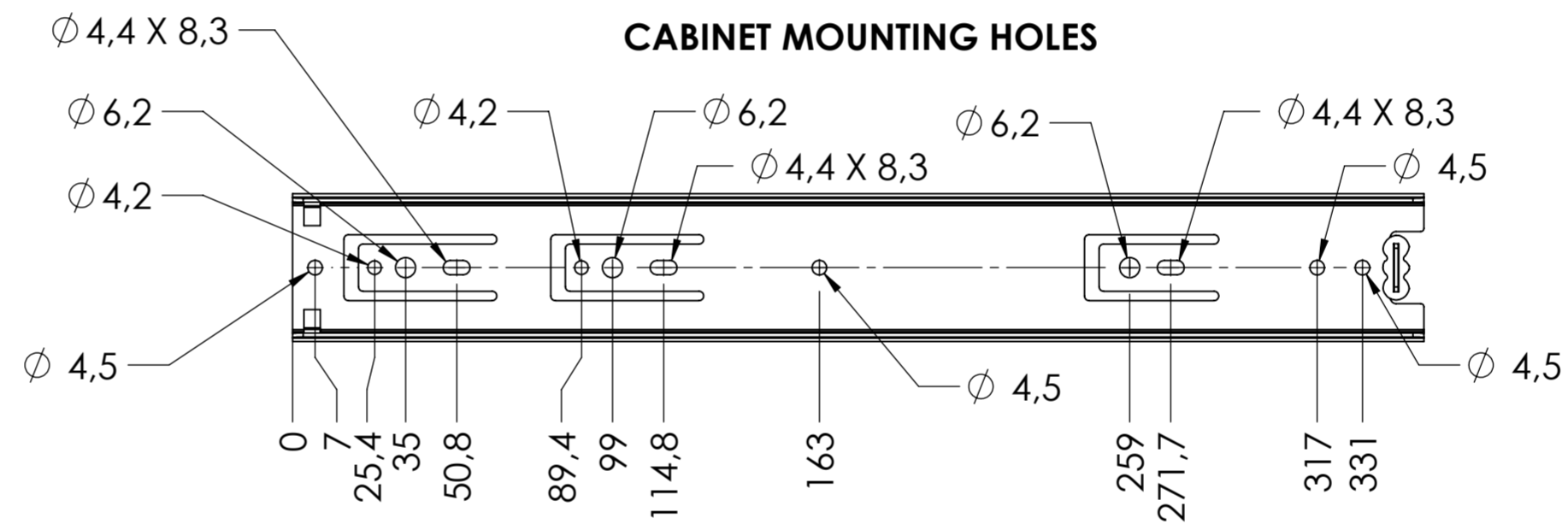


SCALE 1:1



CABINET MOUNTING HOLES



RECOMMENDED HARDWARE:

CABINET- SPAX 3.5mm M4 BUTTON HEAD OR #8 TRUSS HEAD SCREW

DRAWER- SPAX 3.5mm M4 BUTTON HEAD OR #8 TRUSS HEAD SCREW

general tolerances		missing dimensions see 3D = theor. intersection	
ISO 2768-m			
This drawing remains our property and may not be multiplied neither be disclosed to third parties (§§1,3 and 5 from the copyright Act (UrhG)) covered according to DIN ISO 16016			
(k)		scale:	surface:
(l)		1:21:2	
(m)		date	name
(n)		drawn 12-10-2018	HB
(o)		proven 00-00-0000	00
(p)		Fulterer	
(q)			
(r)		material, semi finished parts: 304 STAINLESS STEEL (technical requirements Fulterer)	
(s)		description: STAINLESS STEEL SIDE MOUNT STAINLESS STEEL SIDE MOUNT FULL EXTENSION DRAWER SLIDE WITH DRAWER RELEASE	
(t)		drawing number: 5002.350-GA.T015	
(u)		replaces version date:	
(v)		drawing number:	
(w)		drawing number:	
(x)		drawing number:	
(y)		drawing number:	
(z)		drawing number:	
ind.	changes	date	na.